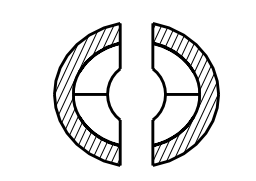
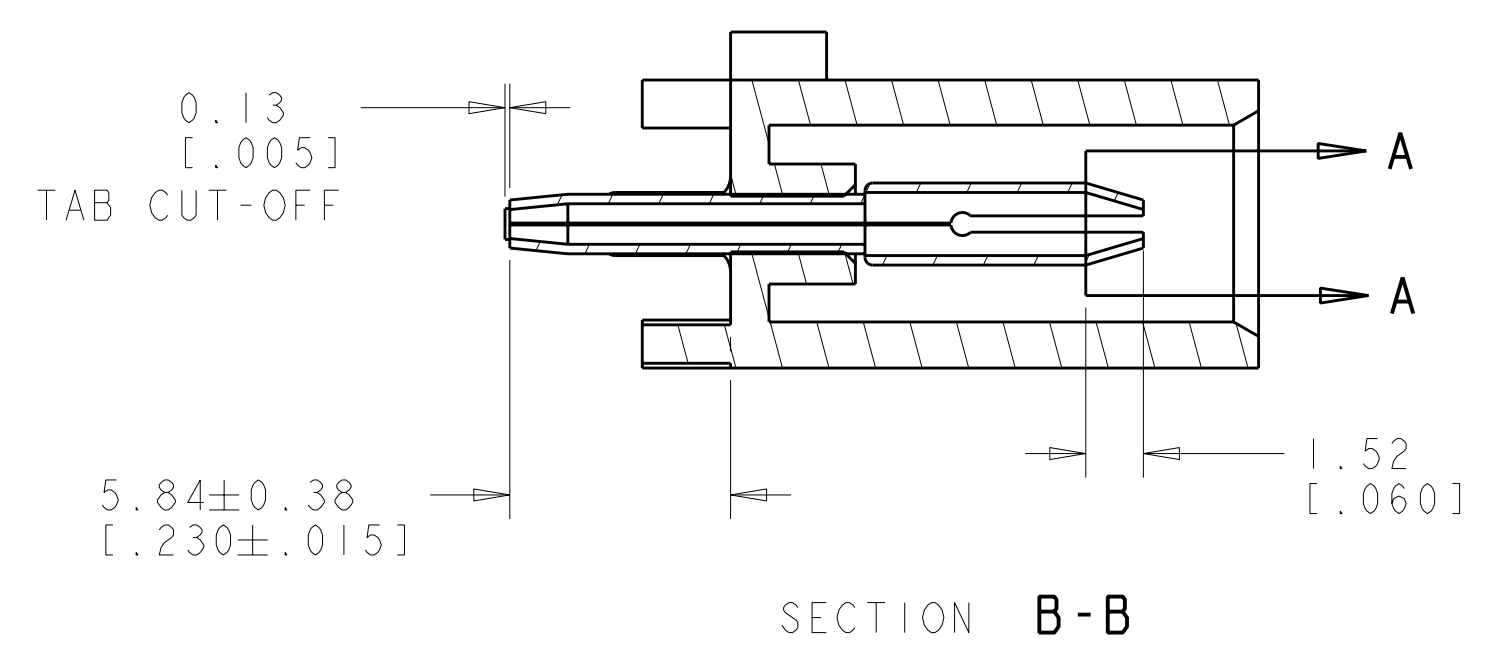
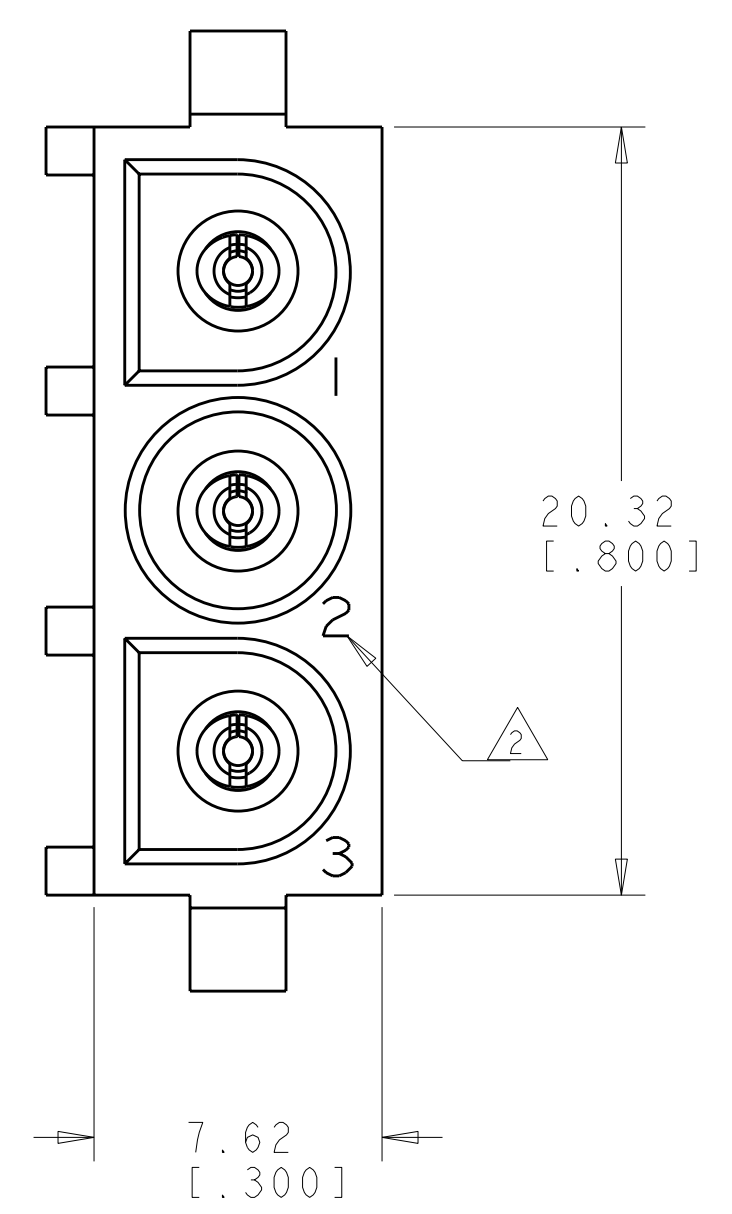
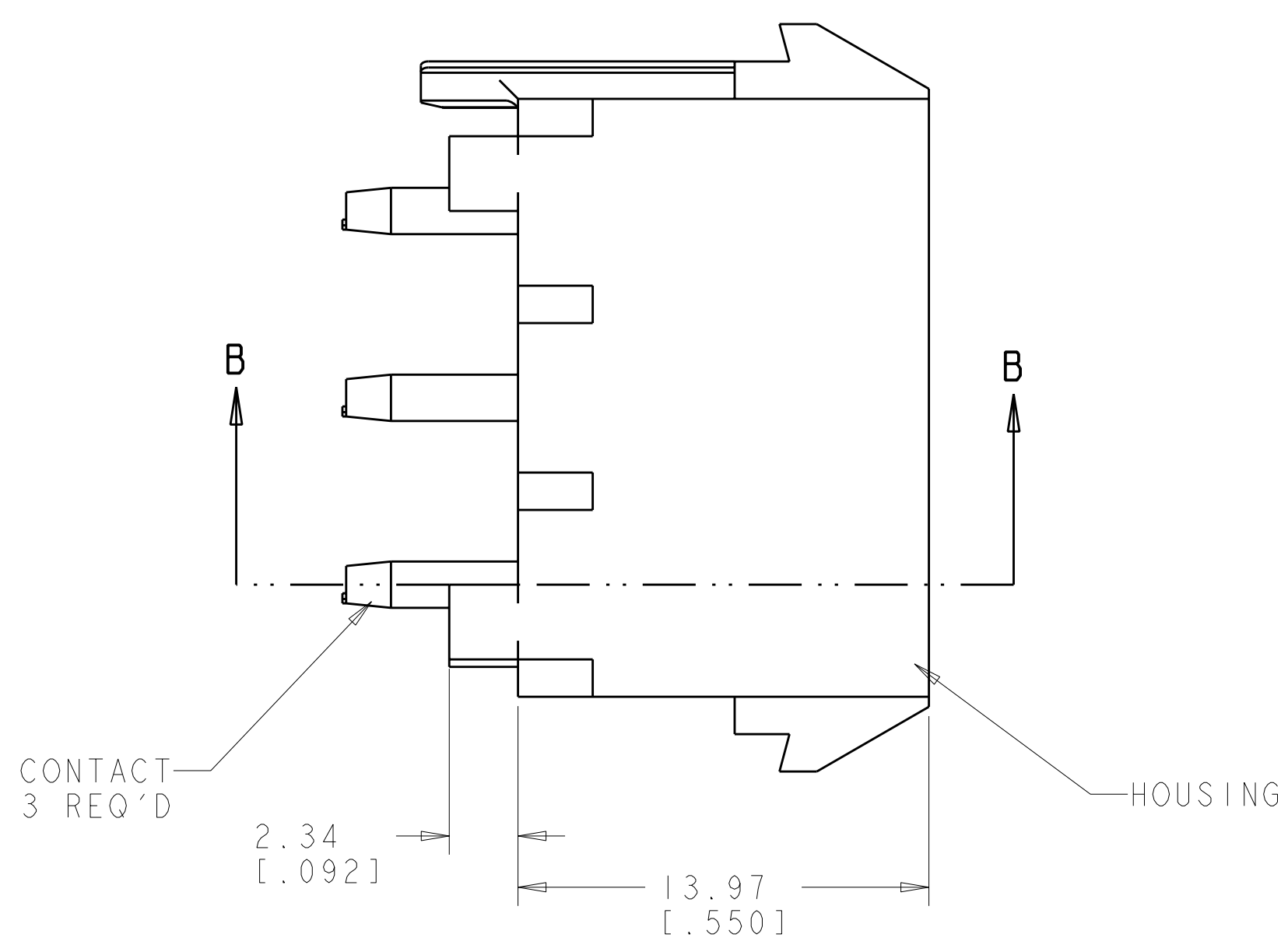
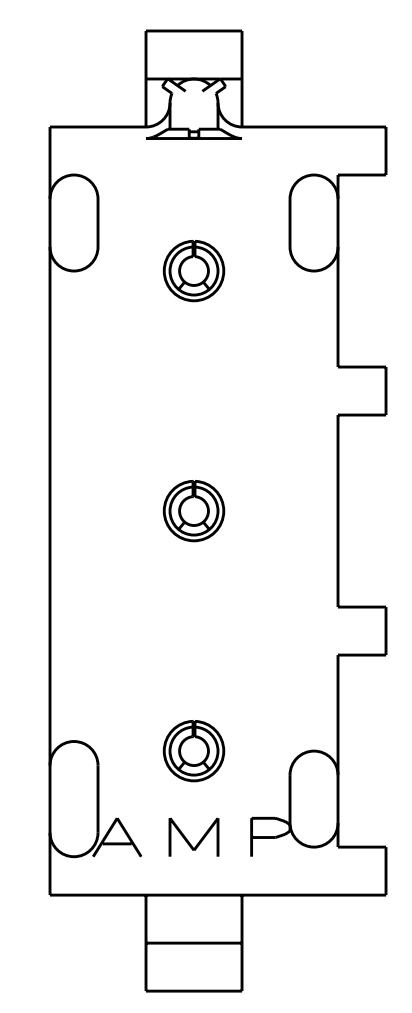


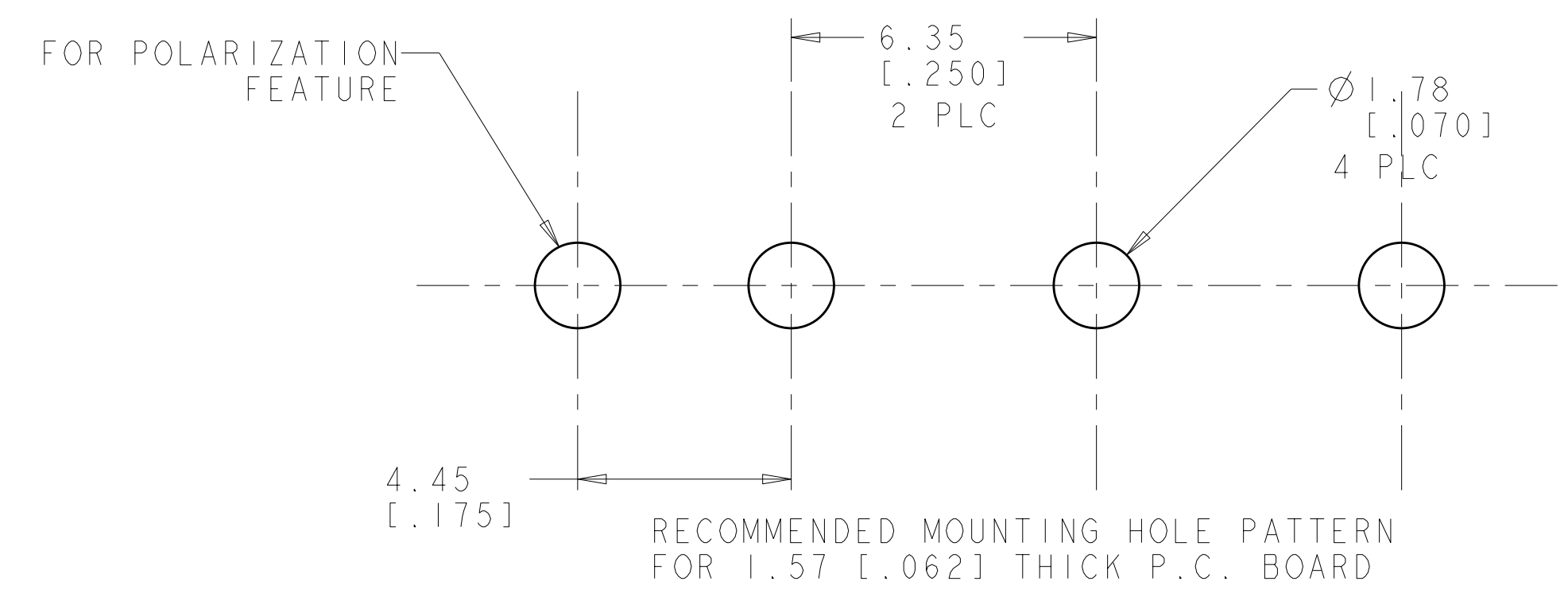
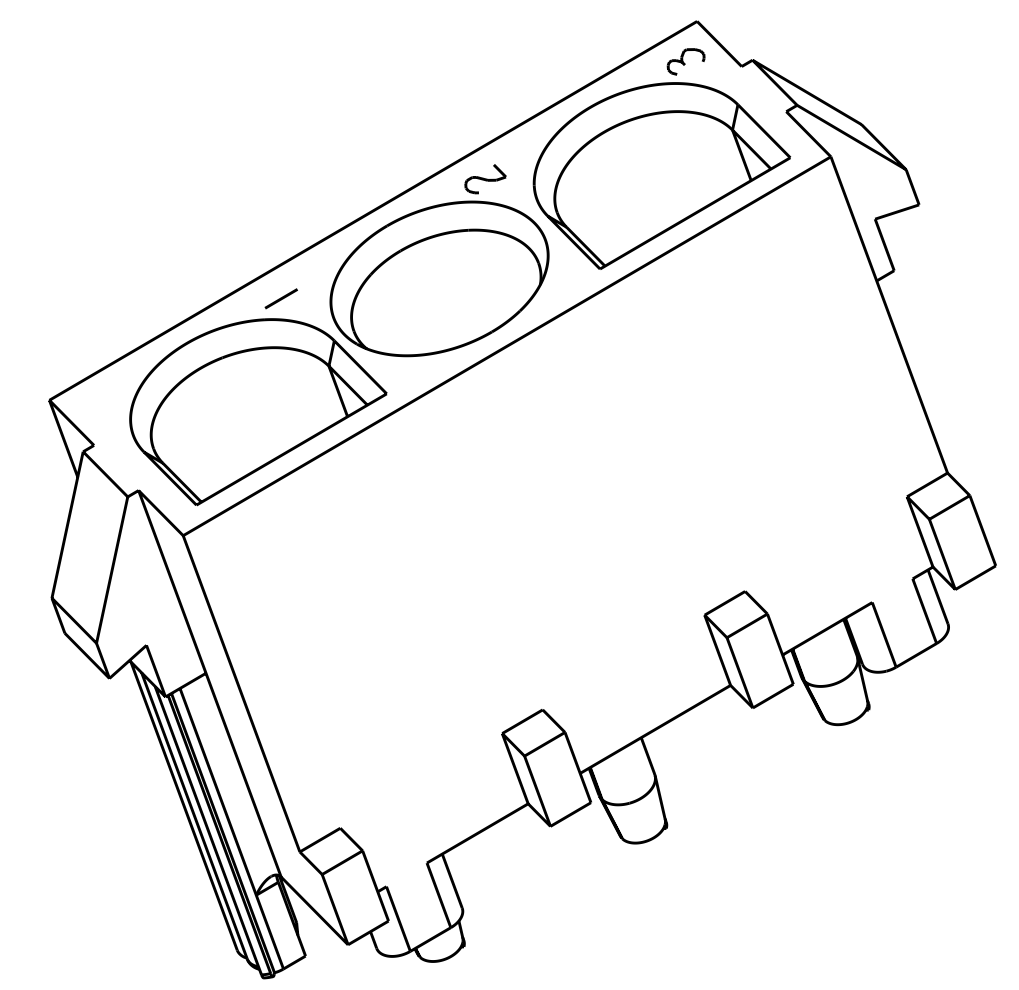
LOC	DIST	REVISIONS			
CM	00	REV	DATE	BY	APP'D
		B	22MAR2012	KH	TM

1. PARTS COMPLY TO AMP SOLDERABILITY SPECIFICATION 109-11-3.

⚠️ CIRCUIT IDENTIFICATION CHARACTERS ARE ADJACENT TO THE INDICATED CAVITIES, BUT LOCATION AND ORIENTATION MAY DIFFER FROM PRINT.



SECTION A-A
SCALE 10:1



PHOSPOR BRONZE, PRE-TIN PIN CONTACT MATERIAL AND FINISH	NYLON, UL94V-0, WHITE HOUSING MATERIAL AND COLOR	2029397-1 PART NUMBER
THIS DRAWING IS A CONTROLLED DOCUMENT.		DWN: JR_RUTH 200CT11 CBY: TOM MICHELUTTI 200CT11 APVD: TOM MICHELUTTI 200CT11 NAME: TOM MICHELUTTI PRODUCT SPEC: - APPLICATION SPEC: - WEIGHT: - CUSTOMER DRAWING
DIMENSIONS: mm [INCHES]	TOLERANCES UNLESS OTHERWISE SPECIFIED: 9 PLC ± 2 PLC ±0.13(.005) 5 PLC ± 4 PLC ± ANGLES ±40°30' FINISH SEE TABLE	SIZE: A1100779 CAGE CODE: C-2029397 SCALE: 8:1 SHEET: 1 OF 1 REV: B

Mouser Electronics

Authorized Distributor

Click to View Pricing, Inventory, Delivery & Lifecycle Information:

[TE Connectivity:](#)

[2029397-1](#)