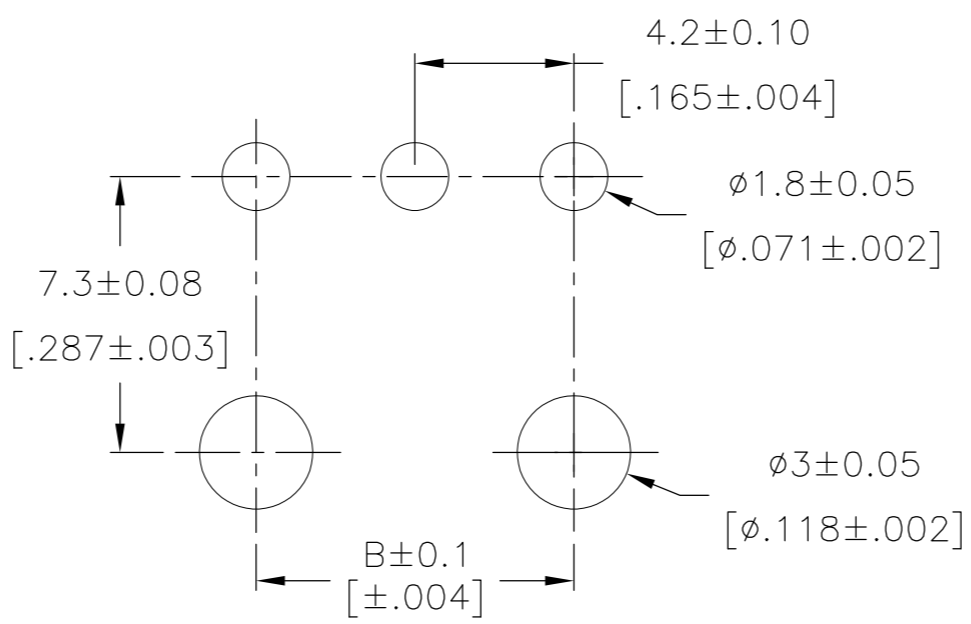
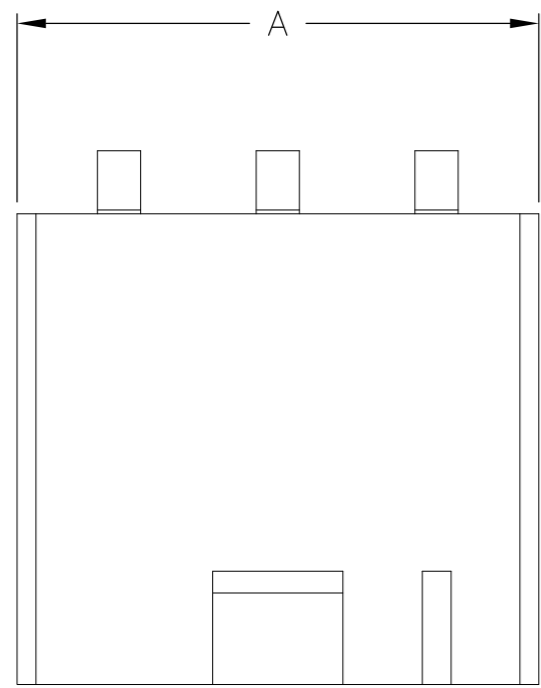
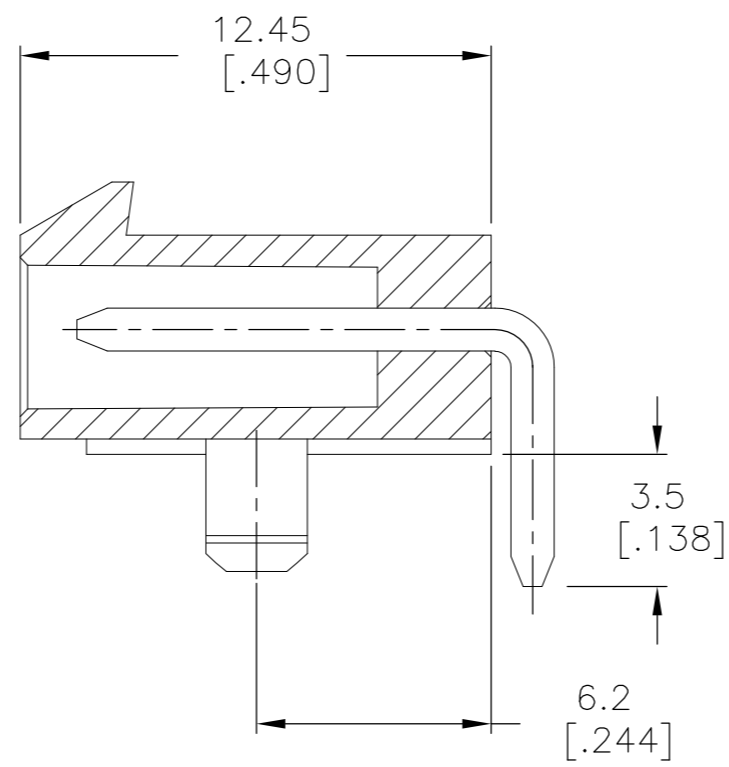
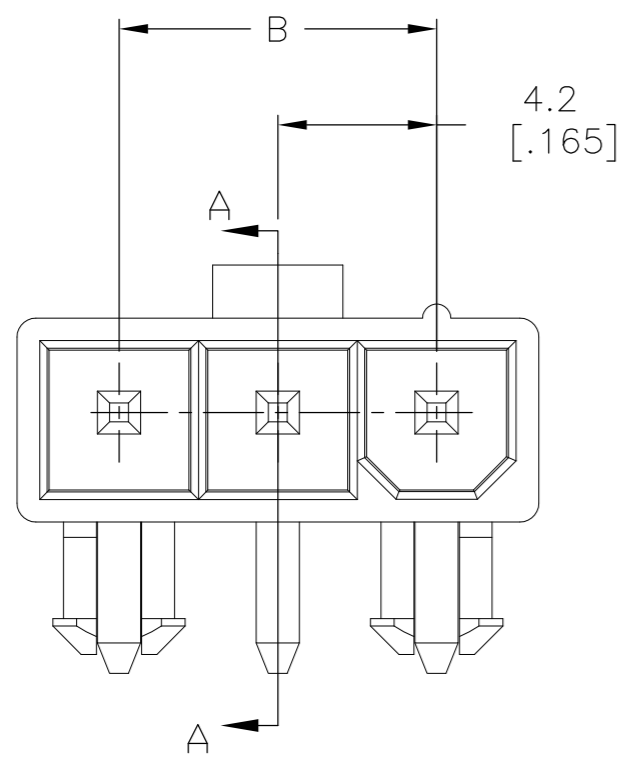


THIS DRAWING IS UNPUBLISHED. RELEASED FOR PUBLICATION
 © COPYRIGHT - By - ALL RIGHTS RESERVED.

LOC		DIST		REVISIONS			
P	LTR	DESCRIPTION		DATE	DWN	APVD	
	A	RELEASED		16OCT2008	KW	CC	
	B	REVISED ECR-14-015945		26OCT2014	A.Z	D.Z	

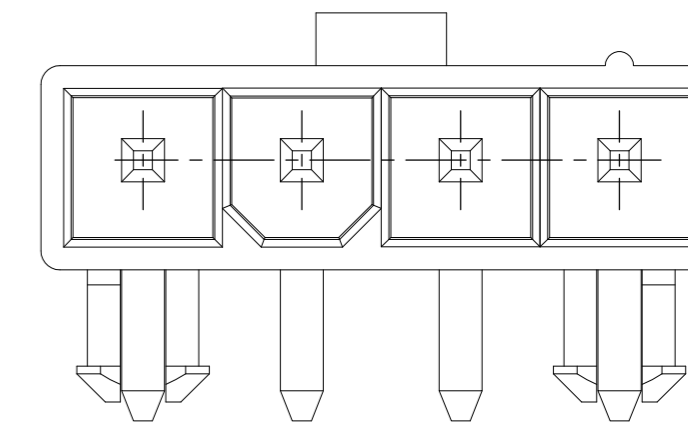


RECOMMENDED MOUNTING HOLE PATTERN FOR
 1.78 [.070] MAX THK P.C. BOARD

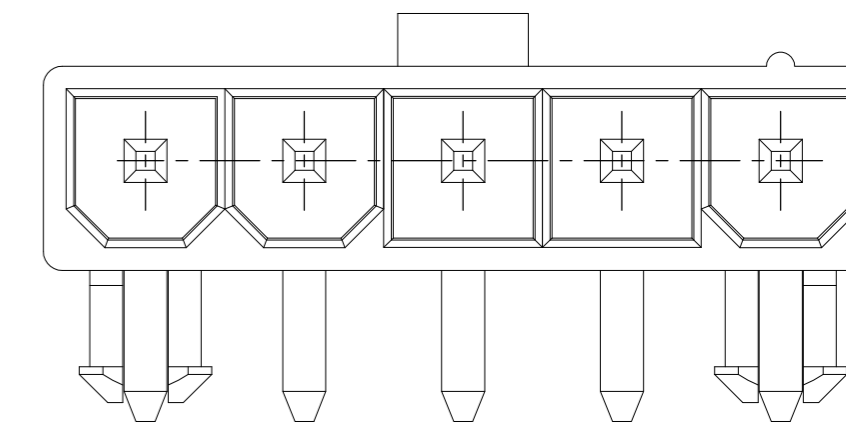


SECTION A-A

- 1 MATERIAL: HOUSING: NYLON 66 GF20, UL94V-0, NATURAL
 CONTACTS: BRASS, TIN-PLATED
- 2. GLOW WIRE APPROVED, CONTACT TYCO ELECTRONICS
 PRODUCT ENGINEERING FOR SPECIFICATION.



2029154-4 MATING FACE



2029154-5 MATING FACE

2029154-3 SHOWN

5	16.8 [.661]	22.2 [.874]	2029154-5
4	12.6 [.496]	18 [.709]	2029154-4
3	8.4 [.330]	13.8 [.543]	2029154-3
POS	B	A	PART NUMBER

THIS DRAWING IS A CONTROLLED DOCUMENT.		DWN	14OCT2008	TE TE Connectivity	
DIMENSIONS: mm [INCHES]		CHK	14OCT2008		
TOLERANCES UNLESS OTHERWISE SPECIFIED:		APVD	14OCT2008	NAME	
0 PLC ±		PRODUCT SPEC	108-2112	RIGHT ANGLE HEADER, WITH PEGS VAL-U-LOK(TM)	
1 PLC ± 0.13 [.005]		APPLICATION SPEC	114-13172	SIZE	A2
2 PLC ± 0.13 [.005]		WEIGHT		CAGE CODE	00779
3 PLC ±				DRAWING NO	C=2029154
4 PLC ±				RESTRICTED TO	-
ANGLES ±				SCALE	N/A
FINISH				SHEET	1 of 1
MATERIAL				REV	B
FINISH				CUSTOMER DRAWING	

Mouser Electronics

Authorized Distributor

Click to View Pricing, Inventory, Delivery & Lifecycle Information:

[TE Connectivity:](#)

[2029154-4](#)