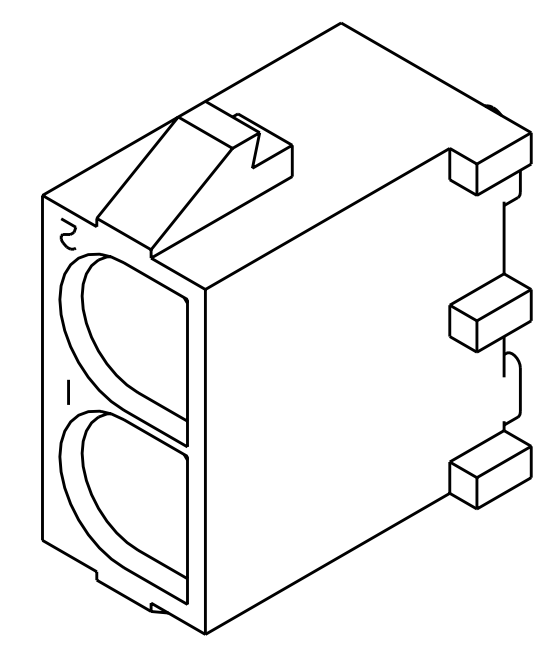
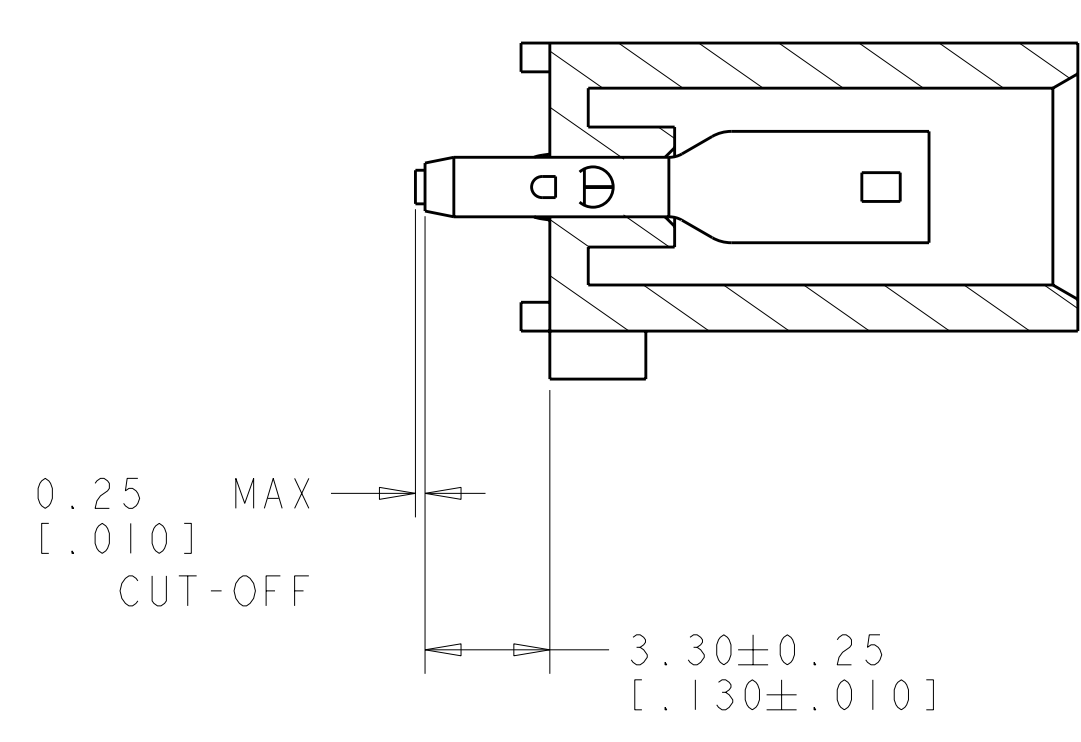
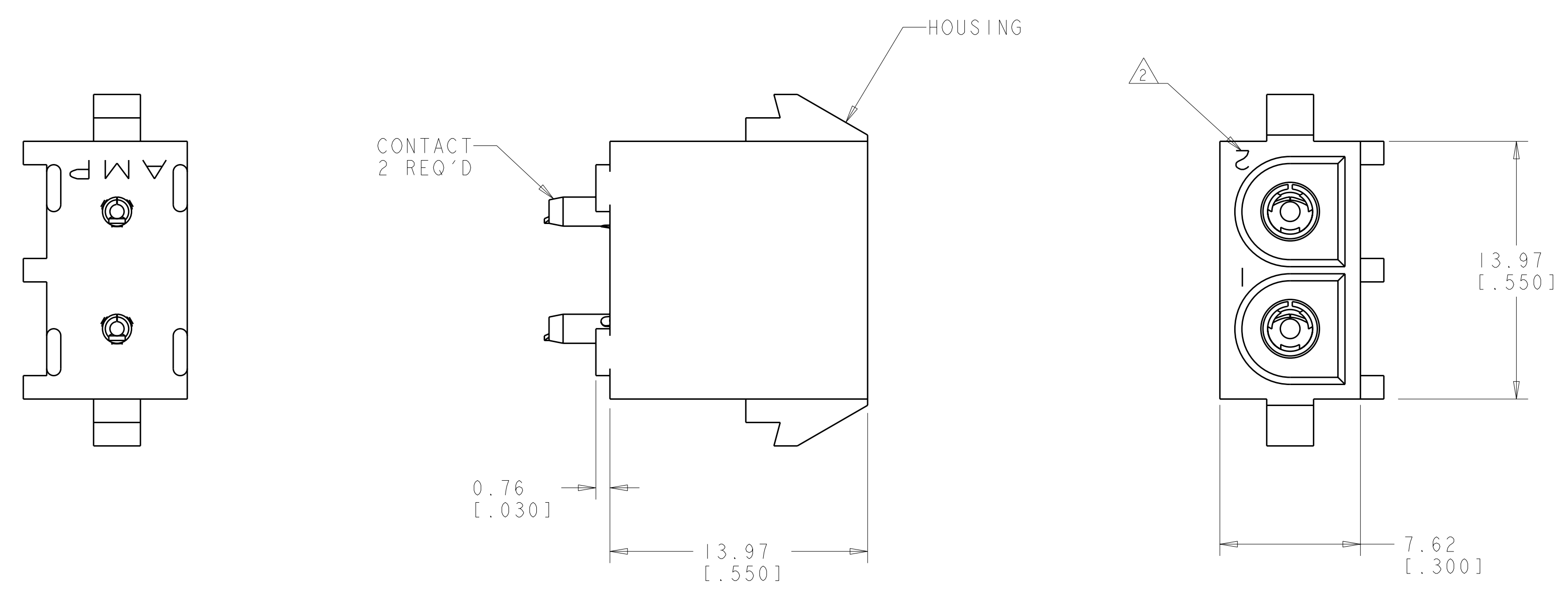
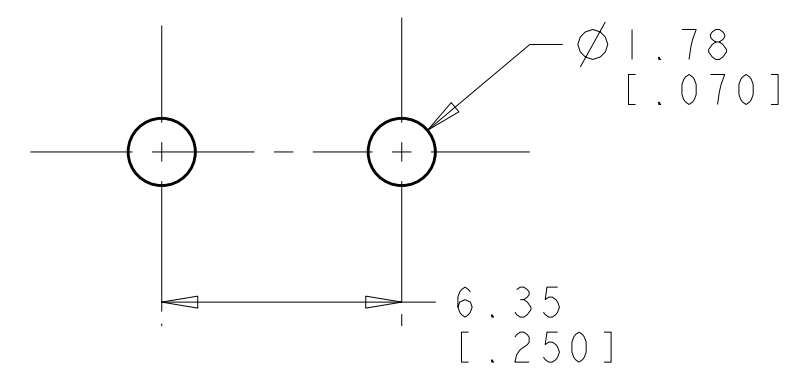


LOC	DIST	REVISIONS			
CM	00	REV	DATE	DWN	APVD
		A	RELEASED PER WR-07-123	25SEP2007	KW DC

1. PARTS COMPLY TO AMP SOLDERABILITY SPECIFICATION 109-11-2.
 2. CIRCUIT IDENTIFICATION CHARACTERS ARE ADJACENT TO THE INDICATED CAVITIES, BUT LOCATION AND ORIENTATION MAY DIFFER FROM PRINT.



3 DIMENSIONAL VIEW
SCALE 4:1



RECOMMENDED MOUNTING HOLE PATTERN
FOR 1.57 [.062] THICK P.C. BOARD

PHOSPOR BRONZE, PRE-TIN PIN CONTACT MATERIAL AND FINISH	NYLON, UL94V-2, NATURAL HOUSING MATERIAL AND COLOR	2029000-1 PART NUMBER
DIMENSIONS: mm [INCHES] TOLERANCES UNLESS OTHERWISE SPECIFIED: 9 PLC ± 1 PLC ± 2 PLC ±0.13 (.005) 3 PLC ± 4 PLC ± ANGLES ± FINISH SEE TABLE		
DWN R. WHITAKER 25SEP2007 CHK D. COLEY 25SEP2007 APVD D. COLEY 25SEP2007 NAME: SOCKET HEADER ASSEMBLY, 2 CIRCUIT, SHORT TAIL, UNIVERSAL MATE-N-LOK(TM) SIZE: CAGE CODE: DRAWING NO: A11 00779 ©=2029000 WEIGHT: - CUSTOMER DRAWING		
Tyco Electronics Harrisburg, PA 17105-3608		RESTRICTED TO SCALE 5:1 SHEET 1 OF 1 REV A



Mouser Electronics

Authorized Distributor

Click to View Pricing, Inventory, Delivery & Lifecycle Information:

[TE Connectivity:](#)

[2029000-1](#)