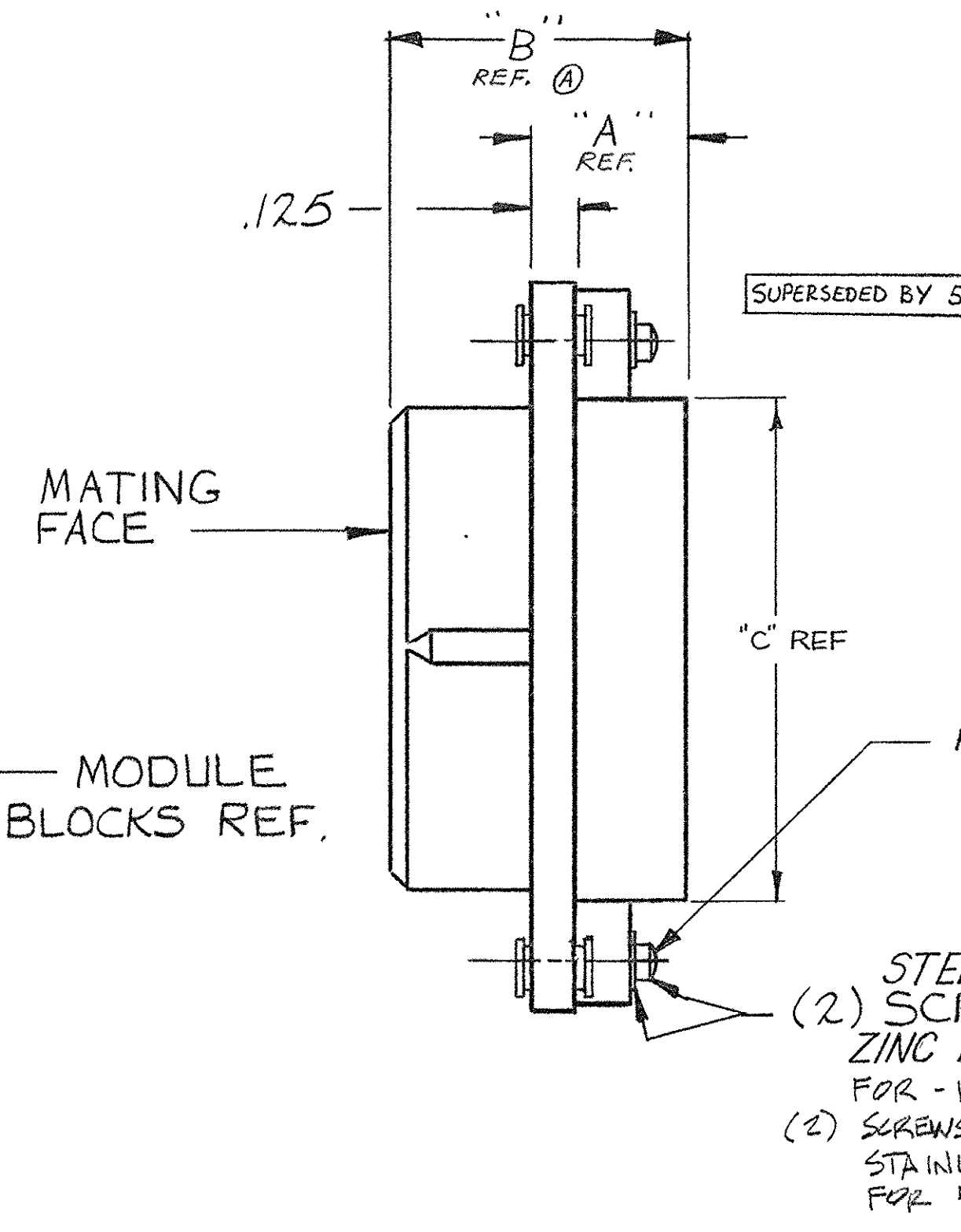
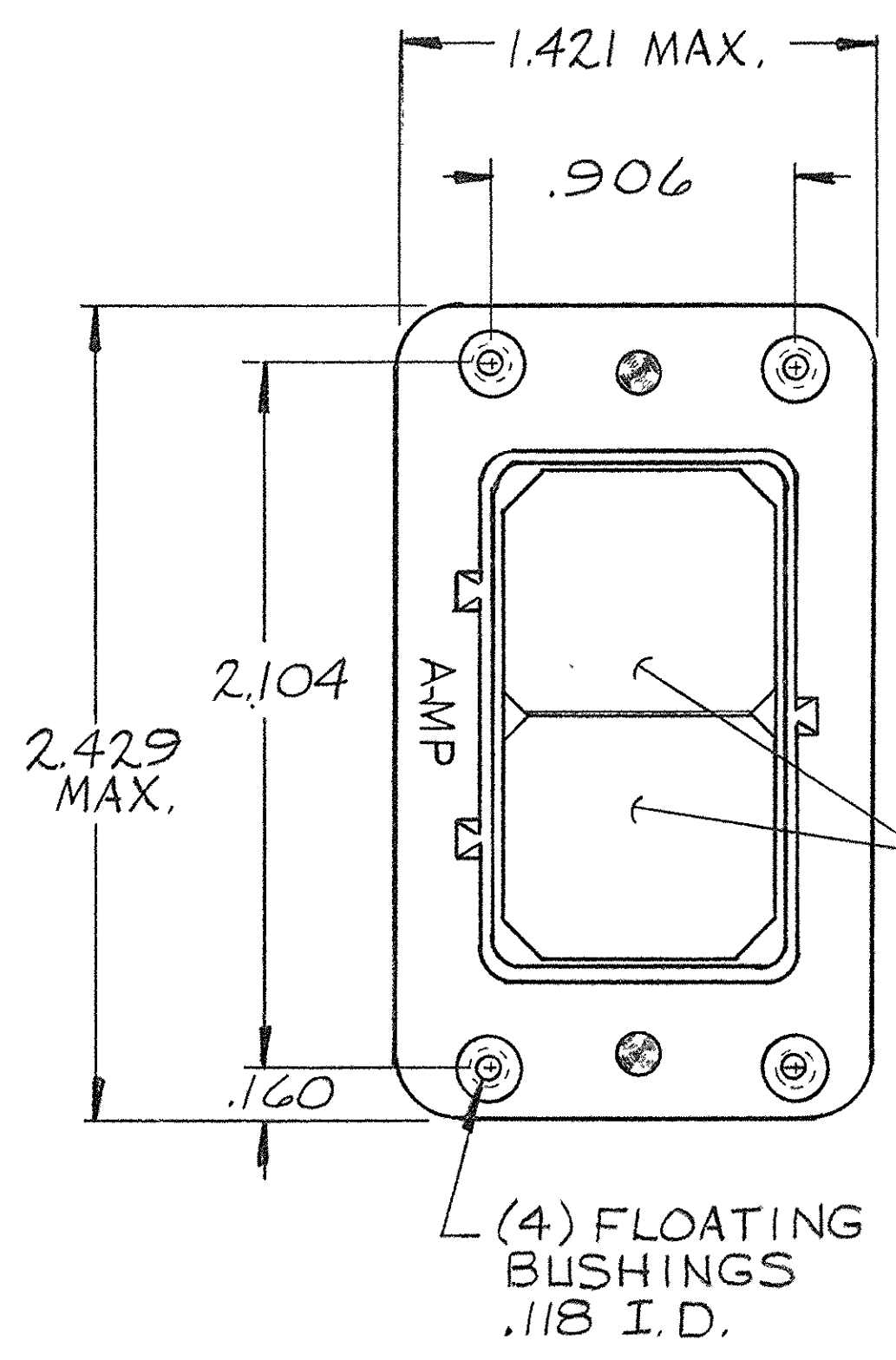


BY AMP INCORPORATED. ALL RIGHTS RESERVED. AMP PRODUCTS COVERED BY PATENTS AND/OR PATENTS PENDING. APPROVED PER GOVT CONTRACT NO.

REVISIONS				REVISIONS				
SYM	DESCRIPTION	DATE	APP	SYM	ZONE	DESCRIPTION	DATE	APPROVAL
K	REV PER ECO-05-005359	11-14-05	PY/DE	D		RELEASED WAS M5012-295	12-31-64	LAB B.S.H.
L	REV PER ECO 17-015725	CT	3-27-18	PD				
A				A		REVISED W-524 W-421	8-2-5	M.S. RM
B				B		REVISED W-777	10-14-5	M.S. D.H.
C				C		REV. PER D-644	10-6-75	DE
D				D		REV./ECN H-220	8-14-80	DE
E				E		REV PER ECN H-203	5-12-81	DE
F				F		REV PER ECN K-335	7-19-83	DE
G				G		REV. PER ECN R-764	8-27-84	RG
H				H		OBSOLETE -1 PER ECN R-2604	2-23-87	SDG
J				J		REV PER ECO-05-001412	05/05	AA



- 202680-1. OBSOLETE
- 202680-2. OBSOLETE
- 202680-3. 1. SAME AS -2 EXCEPT: 2. "A" AND "B" DIMENSIONS.
- 202680-4. OBSOLETE
- 5-202680-3. 1. SAME AS -3 EXCEPT: 2. PLATING

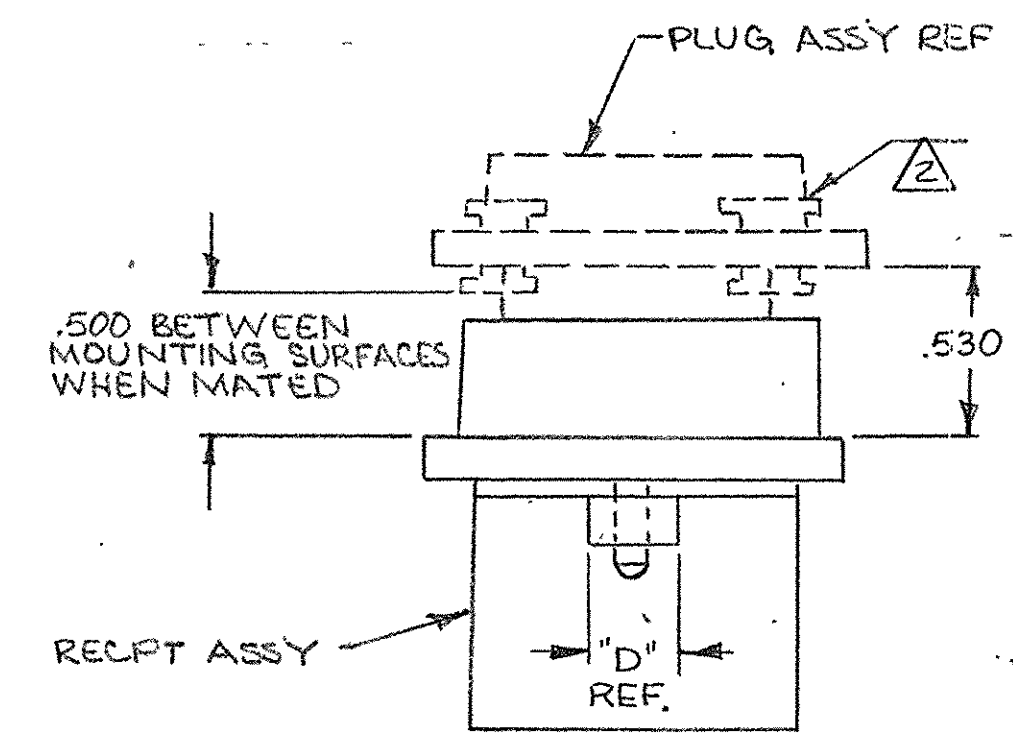
SUPERSEDED BY 5--3

MATING FACE

MODULE BLOCKS REF.

FILLISTER HEAD SCREWS

(2) STEEL SCREWS, ZINC PLATED FOR -1, -2, -3 & -4.
(2) SCREWS PASSIVATED STAINLESS STEEL FOR 5-3.



- NOTE:
- ZINC PLATE PER ASTM-B-633 TYPE II, CLASS 3 COLORLESS SUPPLEMENTARY CHROMATE
 - THE ALLOWABLE FLOAT IS .063 TO .075
 - PLATING ELECTROLESS NICKEL PER SAE-AMS-C-26074 .000400 - .000300 THK (NO INTENTIONAL ADDITIONS OF LEAD OR CADMIUM PER DFE STD 230-700).

OBSOLETE	202680-4	.480	1.010	1.569	.126	△
SUPERSEDED BY 5-202680-3		.886	1.416	1.650	.150	△
OBSOLETE	202680-2	.480	1.010	1.650	.150	△
	202680-1	.480	1.010	1.650	.150	△

AMP INFO		QTY		NOMENCLATURE OR DESCRIPTION		PART OR IDENTIFYING NO		A		B		C		D		FINISH	
LOC	PRINT	DIST	REQD	R 39 J		A		A		B		C		D		FINISH	
UNLESS OTHERWISE SPECIFIED DIMENSIONS ARE IN INCHES TOLERANCES ON FRACTIONS DECIMALS ANGLES ± .005 ±				SIGNATURE		DATE		AMP TRADEMARK		AMP INCORPORATED HARRISBURG, PENNSYLVANIA							
MATERIAL				DR		DATE		NAME		PLUG ASSEMBLY MODULE							
DIE CAST ALUMINUM				CHK		DATE		NAME									
HEAT TREAT				DSGN ENGR		DATE		NAME									
FINISH				APPR		DATE		NAME									
SEE NOTE 1				DSGN APPD		DATE		NAME		CODE IDENT NO		SIZE		NUMBER		REV	
				OTHER APPD		DATE		NAME		00779		C		202680		L	
										SCALE		WT		CALC		ACTUAL	
																SHEET	

Mouser Electronics

Authorized Distributor

Click to View Pricing, Inventory, Delivery & Lifecycle Information:

[TE Connectivity:](#)

[202680-2](#)