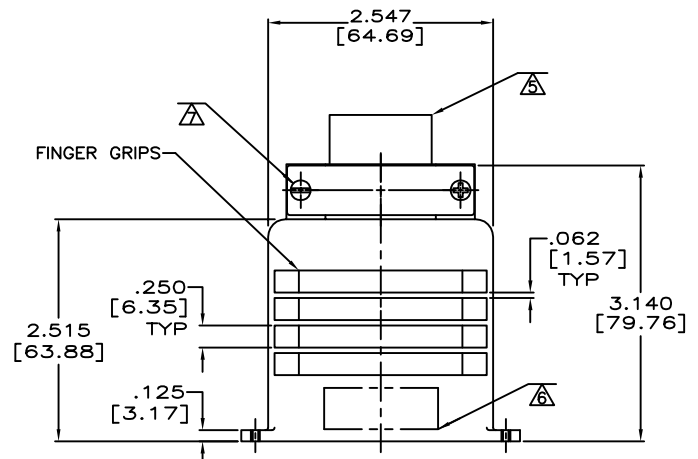
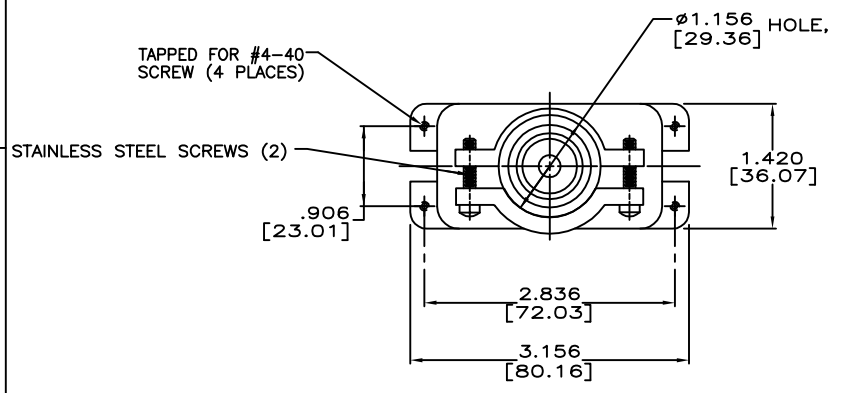


THIS DRAWING IS UNPUBLISHED. RELEASED FOR PUBLICATION - N/A -
 © COPYRIGHT N/A By - ALL RIGHTS RESERVED.

| REVISIONS | | | | | |
|-----------|-------------|-------------|---------|----|------|
| # | LTR | DESCRIPTION | DATE | BY | APPD |
| W | REV PER ECO | 17-015725 | 20JUN11 | CT | PD |



- ① ZINC PLATE PER ASTM B633 TYPE II .0002 [0.005] TO .0004 [0.010] THICK, GOLD CHROMATE.
- ② ZINC PLATE PER ASTM B633, TYPE II .0002 [0.005] TO .0004 [0.010] THICK, OLIVE DRAB CHROMATE.
- ③ ZINC PLATE PER ASTM B633 TYPE III .0002 [0.005] TO .0004 [0.010] THICK, CLEAR CHROMATE.
- ④ ZINC PLATE PER ASTM B633 TYPE II CLASS 3 COLORLESS SUPPLEMENTARY CHROMATE.
- ⑤ FOUR RUBBER BUSHINGS SUPPLIED TO, PROVIDE .250 [6.35], .625 [15.88], .750 [19.05] AND .937 [23.81], DIAMETER OUTLETS.
- 6. AMP 202301-X AND DATE CODE MARKED APPROXIMATELY AS SHOWN.
- ⑦ STANDARD FILLISTER HEAD SCREW, 1--0, 1--1, 1--3, 6--0 & 6--1.
- 8. SHIELD TO ACCOMMODATE MODULE RECEPTACLE ASSEMBLY OR PLUG ASSEMBLY.
- ⑨ BULK PACKAGED.
- ⑩ PLATED ELECTROLESS NICKEL PER SAE-AMS-C-26074, .000400[0.010]-.000800[0.020] THK (NO INTENTIONAL ADDITIONS OF LEAD OR CADMIUM PER DFE STANDARD 230-700).

| | | | | | |
|--------------------------|----|-----|-----|---|------------|
| OBSOLETE | ⑦ | YES | YES | ⑩ | 6-202301-1 |
| | ⑦ | YES | NO | ⑩ | 6-202301-0 |
| OBSOLETE | - | YES | YES | ⑩ | 5-202301-5 |
| OBSOLETE | ⑦⑨ | YES | YES | ③ | 1-202301-3 |
| OBSOLETE | - | YES | YES | ① | 1-202301-2 |
| SUPERSEDED BY 6-202301-1 | ⑦ | YES | YES | ③ | 1-202301-1 |
| SUPERSEDED BY 6-202301-0 | ⑦ | YES | NO | ③ | 1-202301-0 |
| | - | YES | NO | ③ | 202301-9 |
| OBSOLETE | - | YES | NO | ② | 202301-8 |
| OBSOLETE | - | NO | NO | ③ | 202301-7 |
| OBSOLETE | - | YES | YES | ② | 202301-6 |
| SUPERSEDED BY 5-202301-5 | - | YES | YES | ③ | 202301-5 |
| OBSOLETE | - | NO | NO | ② | 202301-4 |
| OBSOLETE | - | NO | NO | ④ | 202301-3 |
| OBSOLETE | - | NO | YES | ② | 202301-2 |
| OBSOLETE | - | NO | YES | ④ | 202301-1 |

| REMARKS | FINGER GRIPS BOTH SIDES | BUSHINGS | FINISH | PART NUMBER |
|---------|-------------------------|----------|--------|-------------|
| | | ⑤ | | |

THIS DRAWING IS A CONTROLLED DOCUMENT.

| | | | |
|---------------------------|--|---|--|
| DIMENSIONS: INCHES | TOLERANCES UNLESS OTHERWISE SPECIFIED: 0 PLC ± .0005 1 PLC ± .0005 2 PLC ± .0005 3 PLC ± .015[0.38] 4 PLC ± .0005 ANGLES ± 0.30° | DWG: JESSE A BAKER 15-JAN-03 CHK: DALE MUMMEY 15-JAN-03 APPD: DALE MUMMEY 15-JAN-03 NAME: DALE MUMMEY PRODUCT SPEC: - APPLICATION SPEC: - MATERIAL: DIE CAST ALUM QG-A-591 FINISH: SEE TABLE | TE Connectivity SHIELD FOR MODULE ASSY 3 BLOCK ASSY SERIES G SIZE: A2 CAGE CODE: 00779 DRAWING NO: C-202301 RESTRICTED TO: - SCALE: 1:1 SHEET: 1 of 1 REV: W |
|---------------------------|--|---|--|

CUSTOMER DRAWING

Mouser Electronics

Authorized Distributor

Click to View Pricing, Inventory, Delivery & Lifecycle Information:

[TE Connectivity:](#)

[6-202301-0](#)