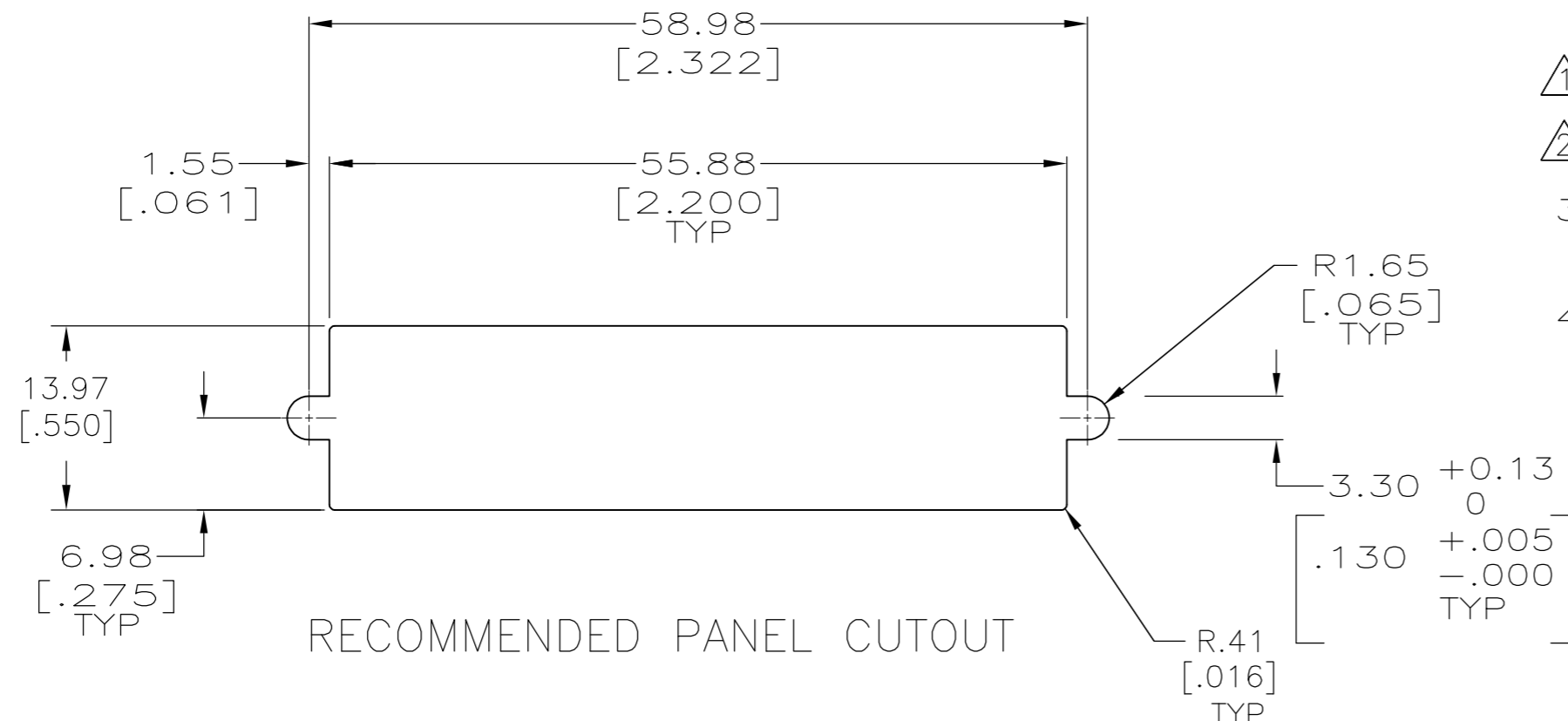
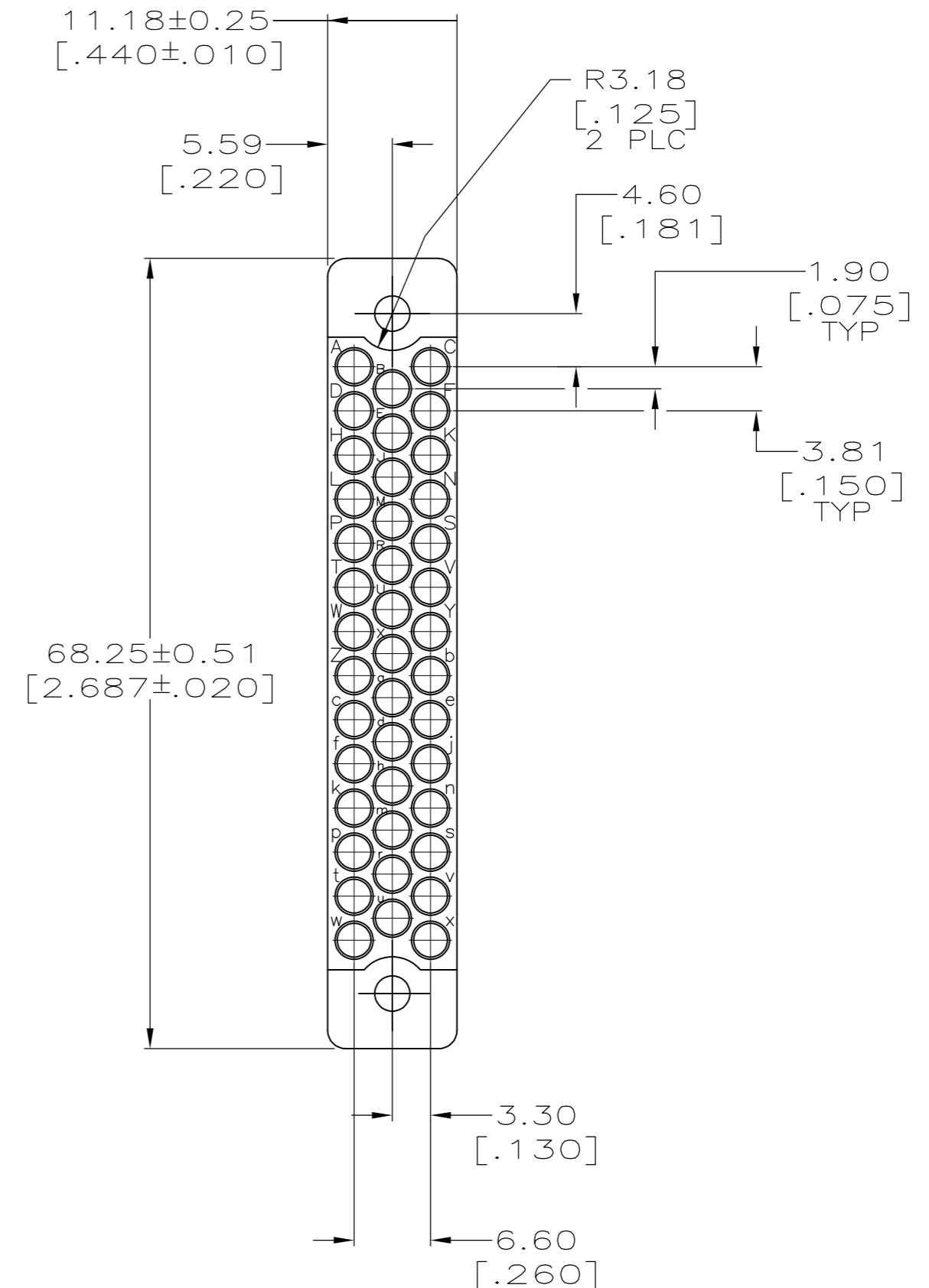
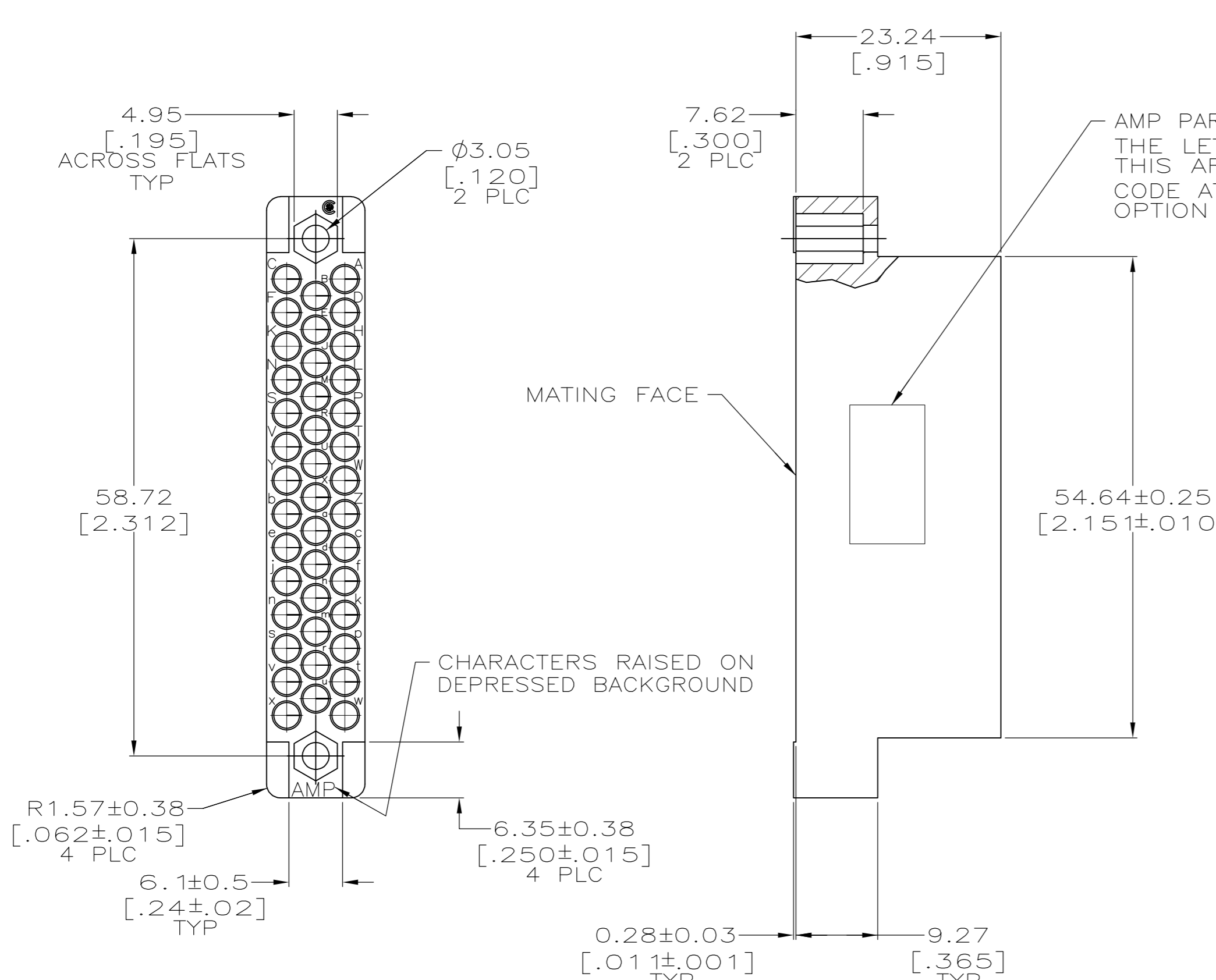


THIS DRAWING IS UNPUBLISHED. RELEASED FOR PUBLICATION  
 © COPYRIGHT - By - ALL RIGHTS RESERVED.

REVISIONS				
P	LTR	DESCRIPTION	DATE	APVD
M1		REVISED PER ECO-16-004000	28SEP2016	NK MZ



- 1. PHENOLIC, BLACK, PER MIL-M-14, TYPE CFG.
- 2. DIALYL PHTHALATE, BLUE, PER MIL-M-14, TYPE SDG-F.
- 3. ACCOMODATES 41 #16 TYPE II OR TYPE III PIN CONTACTS OR SOCKET CONTACTS.
- 4. MATES WITH 201302.

OBSOLETE	2	<del>202135-4</del>
	1	202135-2
MATERIAL		PART NUMBER

THIS DRAWING IS A CONTROLLED DOCUMENT.		DWN C.REIFSNYDER 19 FEB 96	TE Connectivity																			
DIMENSIONS: mm [INCHES]		CHK R.STONE 13 MAR 96																				
TOLERANCES UNLESS OTHERWISE SPECIFIED:		APVD G.A.STEINHAUER 25 JUN 96																				
<table border="0"> <tr><td>0 PLC</td><td>±</td><td>-</td></tr> <tr><td>1 PLC</td><td>±</td><td>-</td></tr> <tr><td>2 PLC</td><td>±</td><td>0.13 [.005]</td></tr> <tr><td>3 PLC</td><td>±</td><td>-</td></tr> <tr><td>4 PLC</td><td>±</td><td>-</td></tr> <tr><td>ANGLES</td><td>±</td><td>-</td></tr> </table>		0 PLC	±	-	1 PLC	±	-	2 PLC	±	0.13 [.005]	3 PLC	±	-	4 PLC	±	-	ANGLES	±	-	NAME	MALE BLOCK, DEEP, 41 POSITION, M SERIES	
0 PLC	±	-																				
1 PLC	±	-																				
2 PLC	±	0.13 [.005]																				
3 PLC	±	-																				
4 PLC	±	-																				
ANGLES	±	-																				
MATERIAL SEE TABLE		FINISH -	WEIGHT	RESTRICTED TO -																		
		CUSTOMER DRAWING	SCALE 2:1	SHEET 1 OF 1																		
			SIZE A2	REV M1																		

# Mouser Electronics

Authorized Distributor

Click to View Pricing, Inventory, Delivery & Lifecycle Information:

[TE Connectivity:](#)

[202135-2](#)