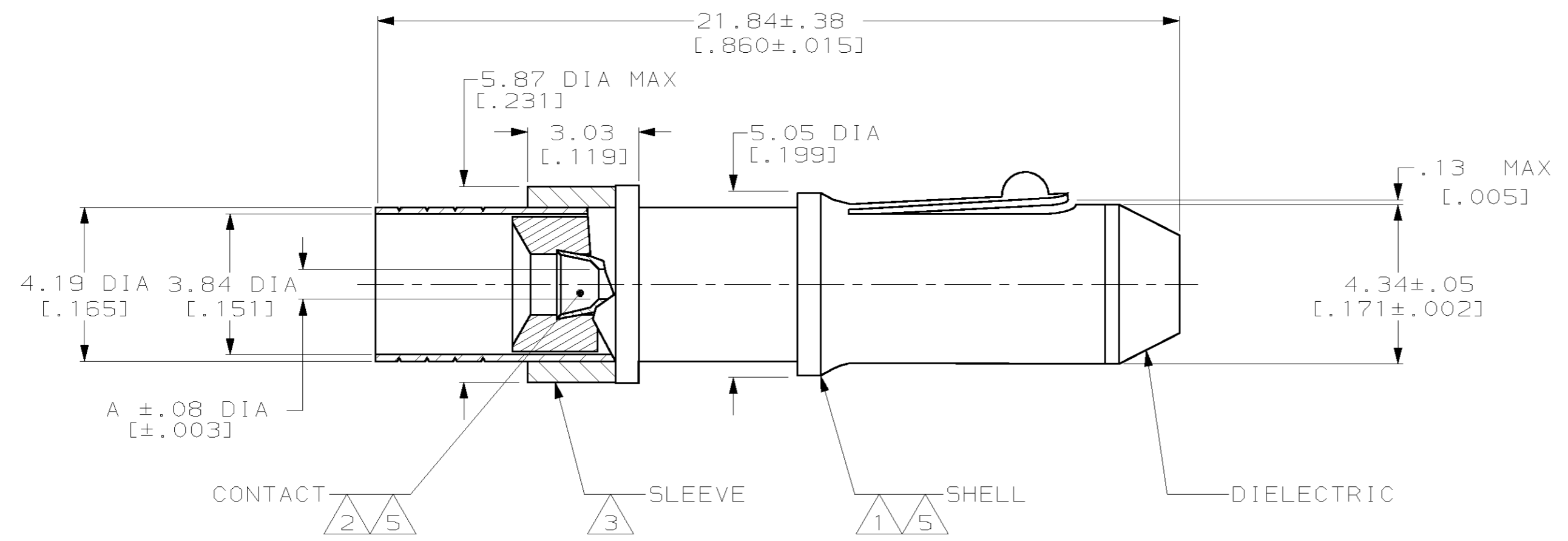


THIS DRAWING IS UNPUBLISHED. RELEASED FOR PUBLICATION
 BY AMP INCORPORATED, ALL RIGHTS RESERVED.

LOC	DIST	REVISIONS			
P	LTR	DESCRIPTION	DATE	DWN	APVD
AJ	16	AK	REVISED PER EC 0514-0288-02	18DEC02	DD KW

- ① BRASS PER QQ-B-626
- ② BERYLLIUM COPPER PER ASTM-B-196
- ③ NYLON PER ASTM-D-4066, BLACK
- ④ POLYMETHYLPENTENE GENERAL PURPOSE, NATURAL
- ⑤ .00076 [.000030] MINIMUM GOLD PER MIL-G-45204
- ⑥ WEIGHT 201097-1 = .001935 LB AND 201097-7 = .001831 LB
- 7. SEE INSTRUCTION SHEET 1770
- ⑧ POLYESTER PER ASTM-D-3221, NATURAL



0.81 [.032]	④	201097-1
A	DIELECTRIC MATERIAL	PART NUMBER
AMP TYCO Electronics Harrisburg, PA 17105-3608		
CONTACT ASSEMBLY, PIN, MINATURE		
SIZE	CAGE CODE	DRAWING NO
A2	00779	④-201097
SCALE	SHEET	REV
8:1	1 OF 1	AK

THIS DRAWING IS A CONTROLLED DOCUMENT.	
DIMENSIONS: mm [INCHES]	TOLERANCES UNLESS OTHERWISE SPECIFIED: 0 PLC ± 1 PLC ± 2 PLC ±0.20 [.008] 3 PLC ± 4 PLC ± ANGLES ±
MATERIAL	FINISH
SEE NOTES	SEE NOTES

201097

Mouser Electronics

Authorized Distributor

Click to View Pricing, Inventory, Delivery & Lifecycle Information:

[TE Connectivity:](#)

[201097-1](#)