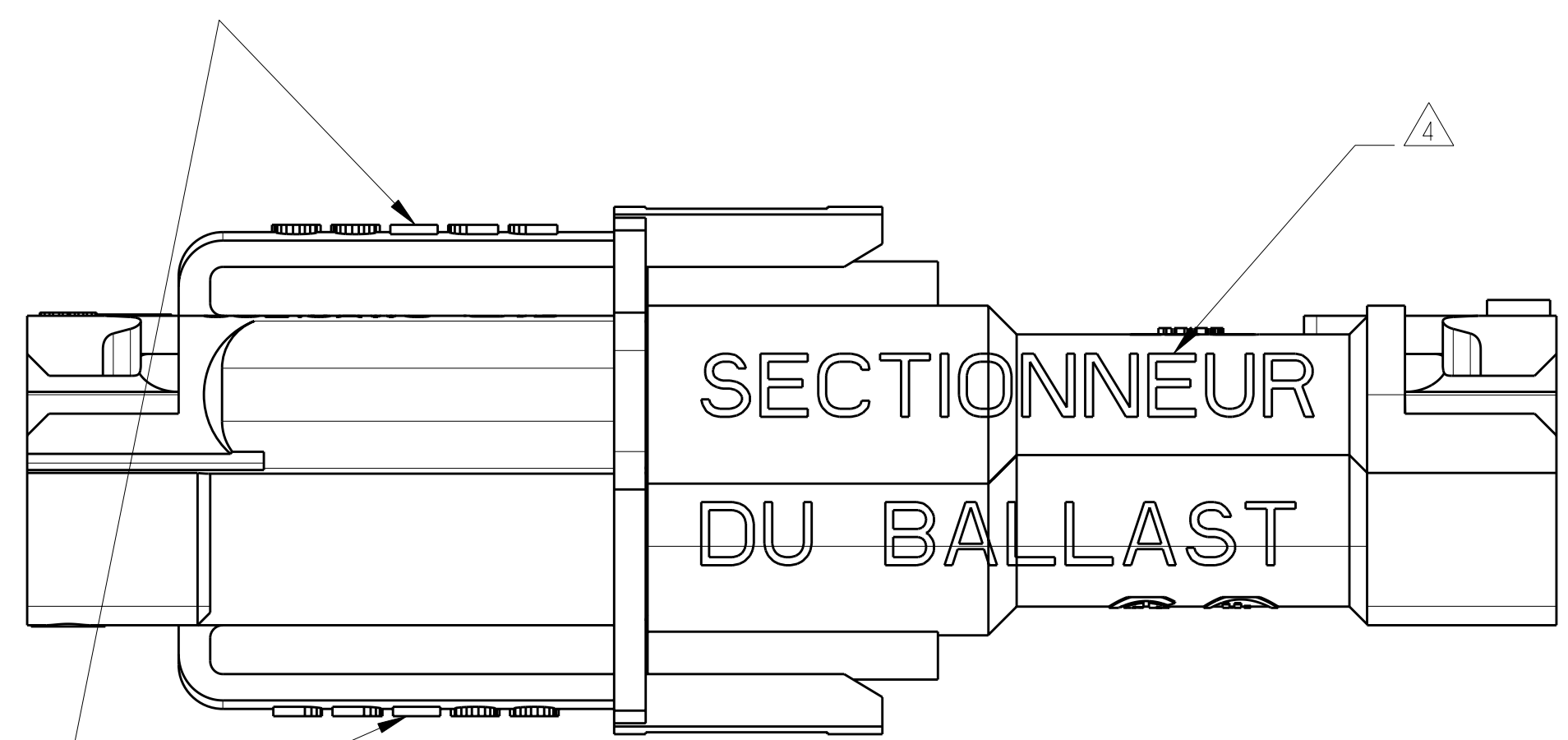
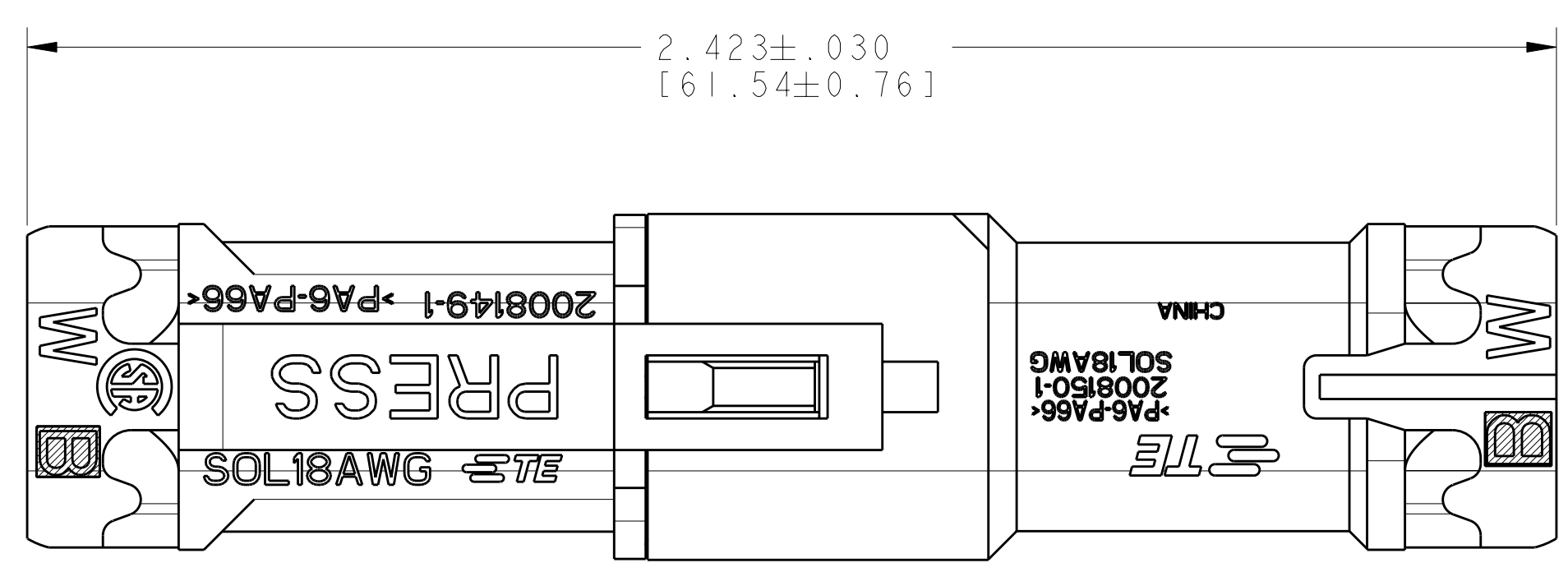
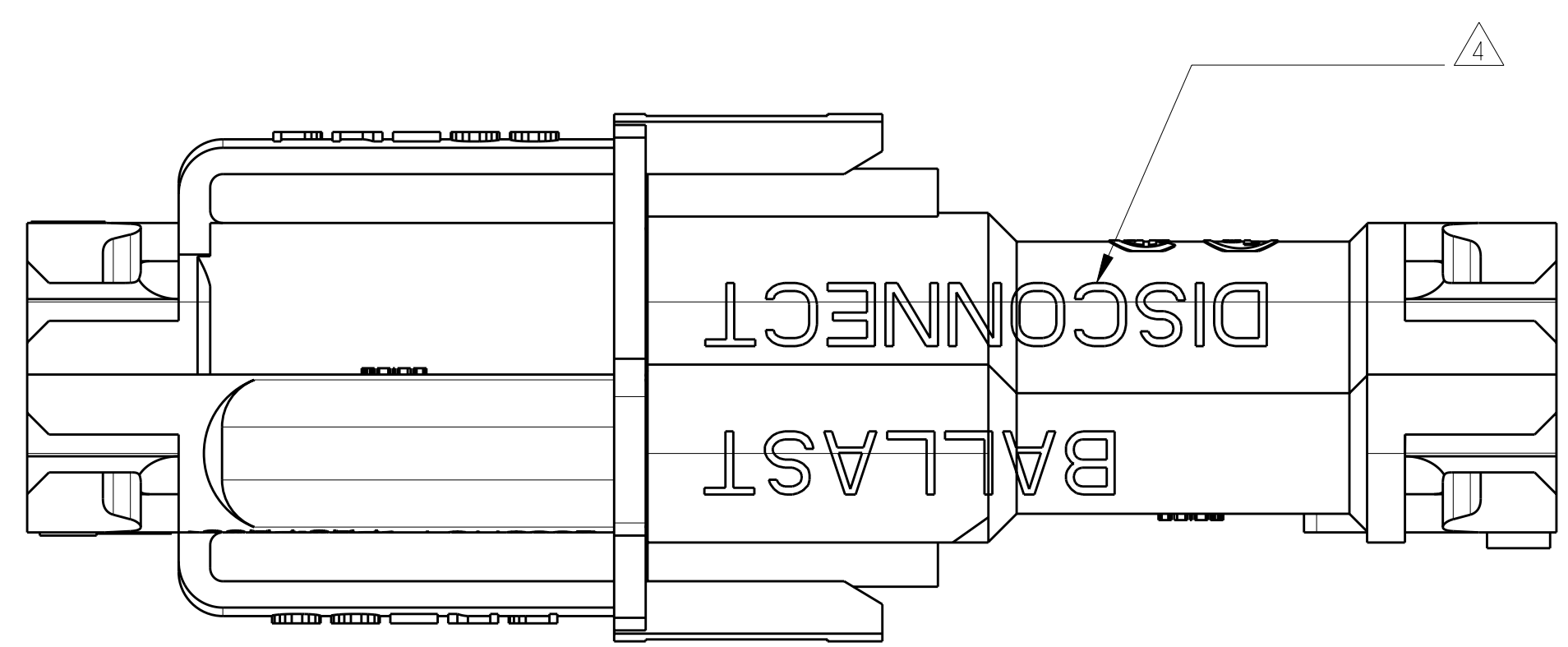
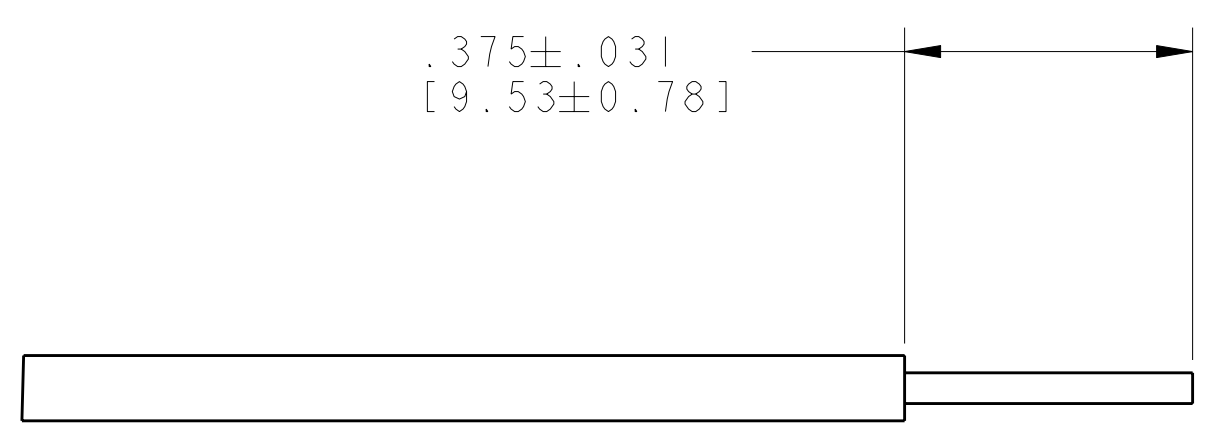


LOC	DIST	REV	DATE	BY	APPD
		B2	27FEB2009	HMR	DD
		B3	18DEC2011	HVG	DD



PRESS TO RELEASE



RECOMMENDED WIRE STRIP

△ MATERIAL:
 HOUSINGS: POLYAMIDE, COLOR: NATURAL
 CONTACTS: PHOSPHOR BRONZE
 INK: BLACK

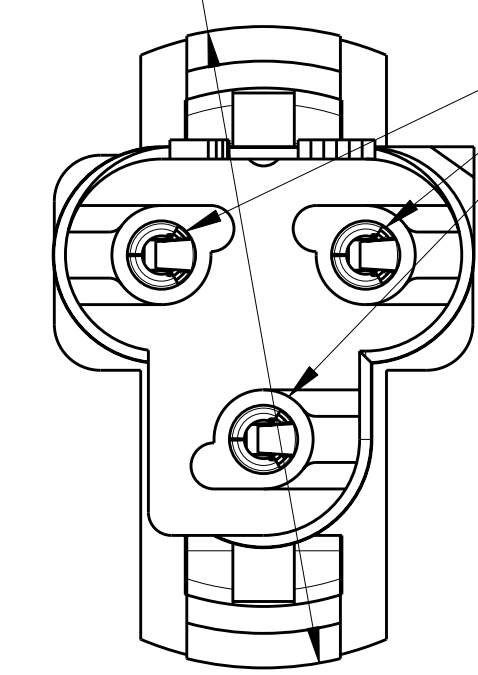
△ FINISH:
 CONTACTS: TIN PLATED

3. SEE INSTRUCTION SHEET 408-10154

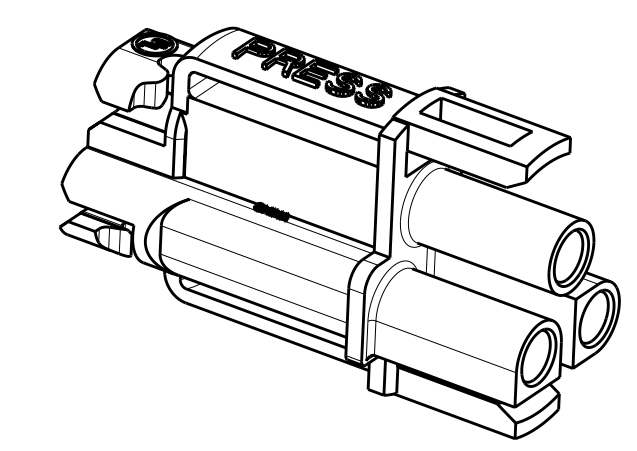
△ SIDES MAY BE REVERSED

△ MATERIAL:
 HOUSING: POLYAMIDE, COLOR: ORANGE,
 CONTACT: PHOS BRONZE
 INK: BLACK

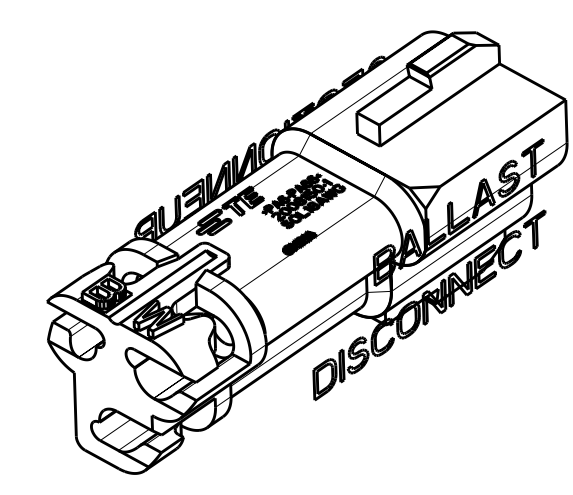
∅.835±.010
 [21.21±0.25]



ACCEPTS 18 AWG SOLID WIRE
 WITH .086 [2.18] MAX INSULATION DIAMETER
 BOTH CONNECTORS



PLUG CONNECTOR ASSEMBLY



RECEPTACLE CONNECTOR ASSEMBLY

△	2008152-2
△	2008152-1
MATERIAL	PART NUMBER

THIS DRAWING IS A CONTROLLED DOCUMENT.		OWN C. DAILY	23APR2007	NAME STE TE Connectivity
DIMENSIONS: IN		CHK J. LANDIS	23APR2007	
TOLERANCES UNLESS OTHERWISE SPECIFIED:		APVD		PRODUCT SPEC
0 PLC ±		108-2275		APPLICATION SPEC
1 PLC ±		114-13207		WEIGHT
2 PLC ±		A100779C=2008152		SCALE 2:1 SHEET 1 OF 1 REV B3
3 PLC ±		CUSTOMER DRAWING		RESTRICTED TO
4 PLC ±				
ANGLES				
FINISH				

Mouser Electronics

Authorized Distributor

Click to View Pricing, Inventory, Delivery & Lifecycle Information:

[TE Connectivity:](#)

[2008152-1](#)