

THIS DRAWING IS UNPUBLISHED. RELEASED FOR PUBLICATION 20  
 © COPYRIGHT 20 BY - ALL RIGHTS RESERVED.

REVISIONS					
P	LTR	DESCRIPTION	DATE	DWN	APVD
B		REVISED PER ECR-19-009721	01JUL2019	M.G	D.Z

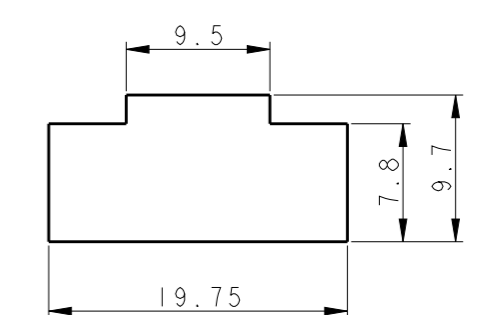
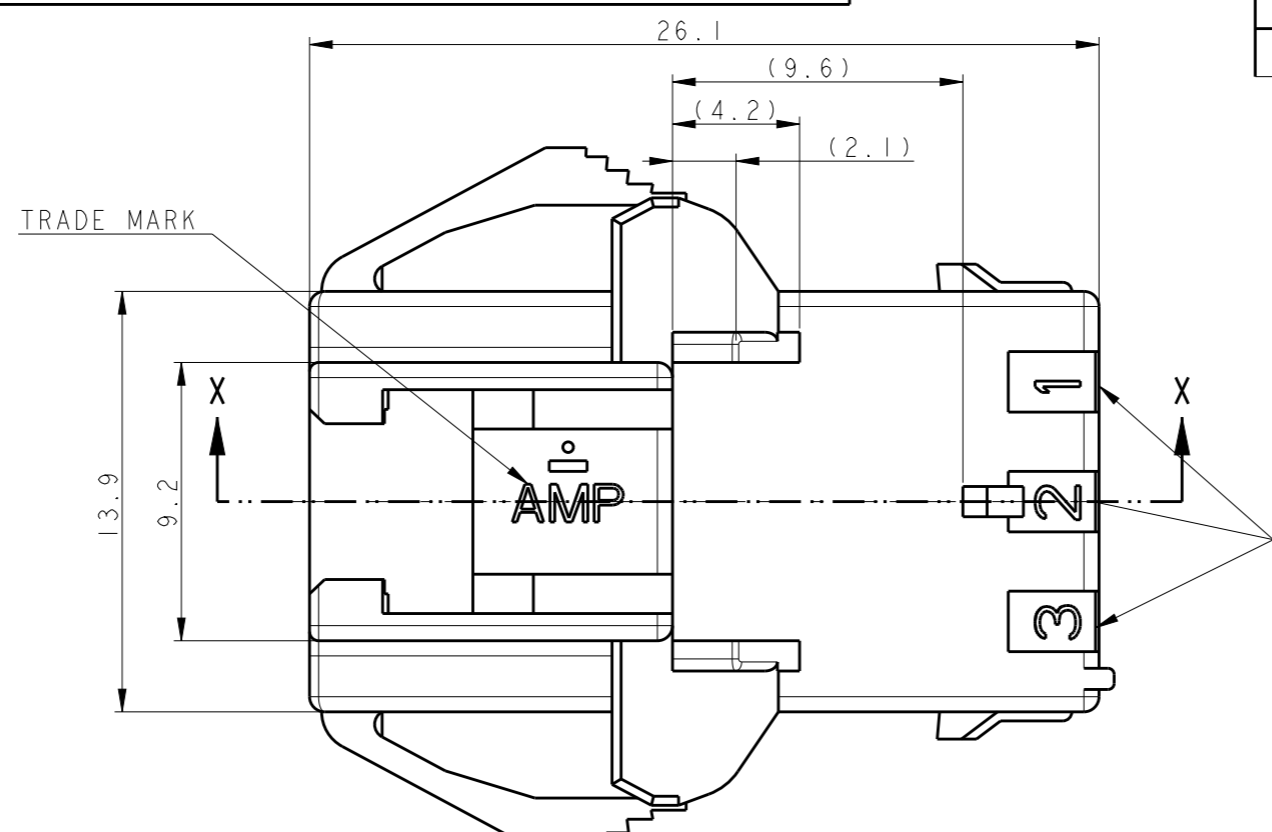
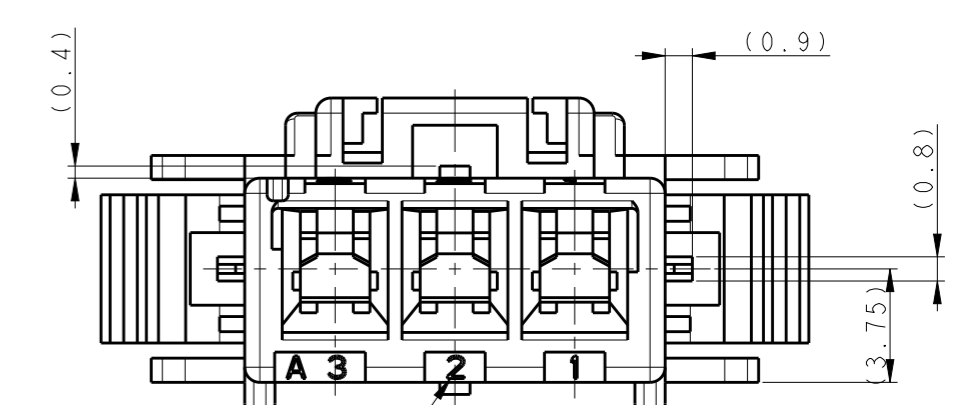
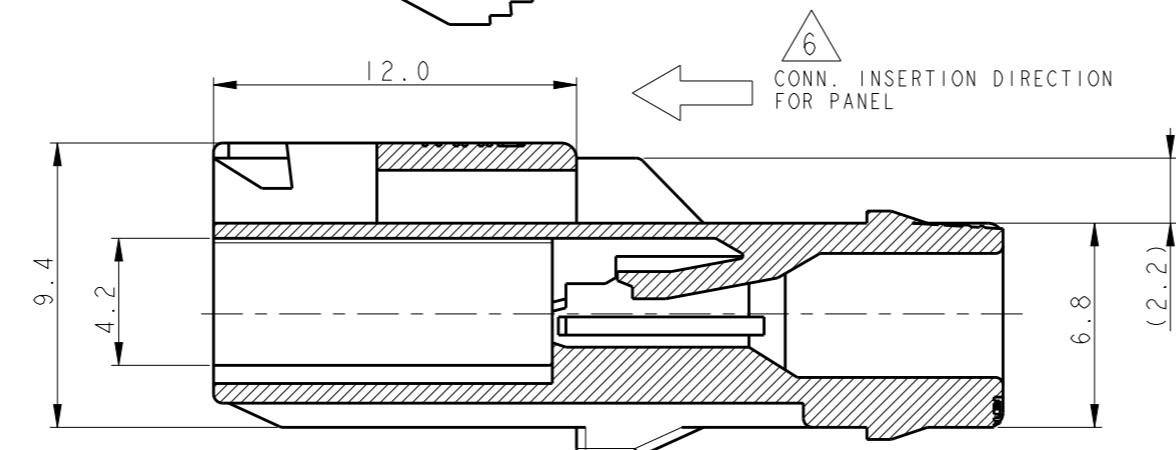
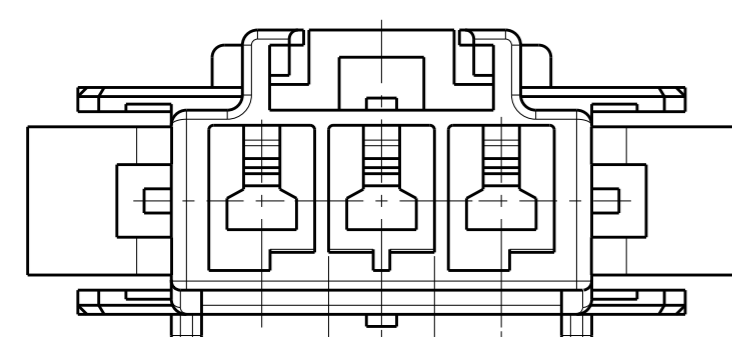


FIG 1.5  
 RECOMMENDED PANEL OPENING DIMENSION  
 TOLERANCES: ±0.13



- NOTE;
- THIS HOUSING ACCEPTS TAB TERMINAL:  
 -TAB CONTACT: 177917-□ (AWG#16-#20)  
 177916-□ (AWG#22-#26)
  - MATING CONN. P/N  
 -PLUG HSG: 368571-□  
 -REC CONTACT: 177915-□ (AWG#16-#20)  
 : 177914-□ (AWG#22-#26)
  - APPLICABLE DOUBLE LOCK PLATE: 177919-1  
 \*IT SHOULD BE USED CERTAINLY WHEN CABLE ASS'Y
  - GENERAL TOLERANCES: ±0.3
  - APPLICATOIN PANEL THICKNESS: 0.8~2.0 (SEE FIG 1.)
  - INSERT CONN. FROM PRESS DIRECTION SIDE FOR METAL PANEL.
  - EDGE OF THICKNESS MAY MUST NOT ROUND FOR MOLDED PANEL.
  - MATERIAL: PA66 UL94V-0  
 COMPLY WITH GLOW WIREREQUIREMENT FOR PARTS OF NON-METALLIC MATERIALSUPPORTING A CURRENT-CARRYING CONNECTION DETAILED IN IEC 60335-1, SECTION 30(GWT).

2005250-9	BLACK
2005250-6	BLUE
2005250-4	YELLOW
2005250-2	RED
2005250-1	NATURAL
P/N	COLOR

THIS DRAWING IS A CONTROLLED DOCUMENT.		DWN SC KIM		TE Connectivity	
DIMENSIONS: mm		CHK BW KANG			
TOLERANCES UNLESS OTHERWISE SPECIFIED:		APVD JK SONG		NAME PDL 3P CAP HSG 3.96mm P/M (GWT)	
0 PLC ± 1 PLC ± 2 PLC ± 3 PLC ± 4 PLC ± ANGLES ±		PRODUCT SPEC 108-5410		SIZE	
MATERIAL		APPLICATION SPEC 114-5175		CAGE CODE	
FINISH		WEIGHT		DRAWING NO	
8		CUSTOMER DRAWING		A300779	
				C=2005250	
				RESTRICTED TO	
				SCALE 4:1	
				SHEET 1 OF 1	
				REV B	

# Mouser Electronics

Authorized Distributor

Click to View Pricing, Inventory, Delivery & Lifecycle Information:

[TE Connectivity:](#)

[2005250-6](#)