

THIS DRAWING IS UNPUBLISHED. RELEASED FOR PUBLICATION 20  
 © COPYRIGHT 20 BY - ALL RIGHTS RESERVED.

REVISIONS

P	LTR	DESCRIPTION	DATE	DWN	APVD
	A	RELEASED	29MAY'09	S.C	J.K
	B	REVISED PER ECR-19-009721	01JUL2019	M.G	D.Z

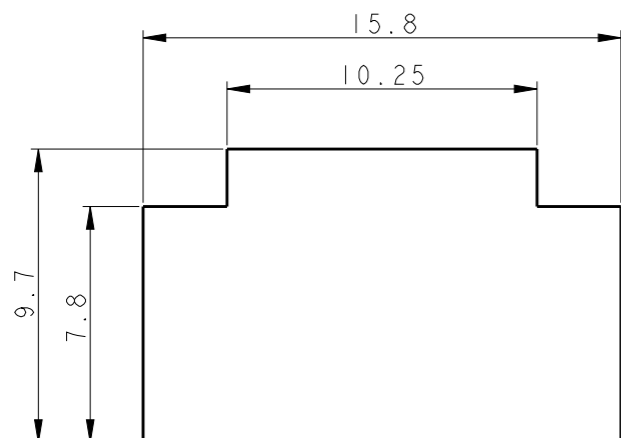
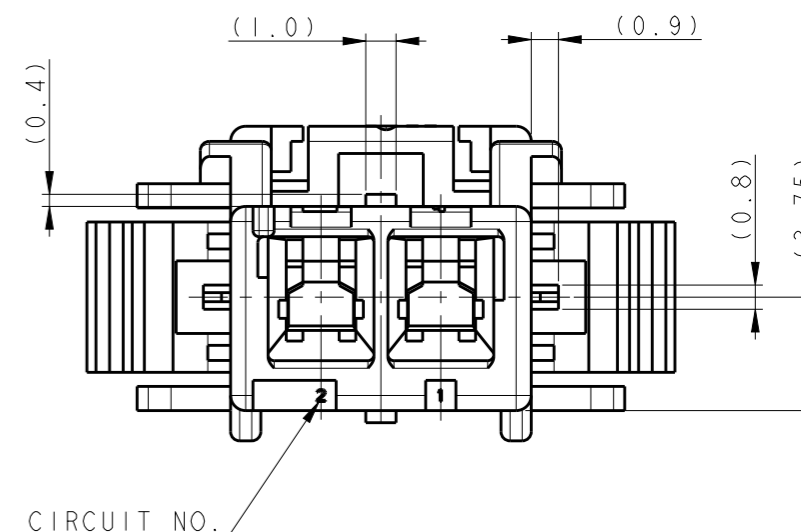
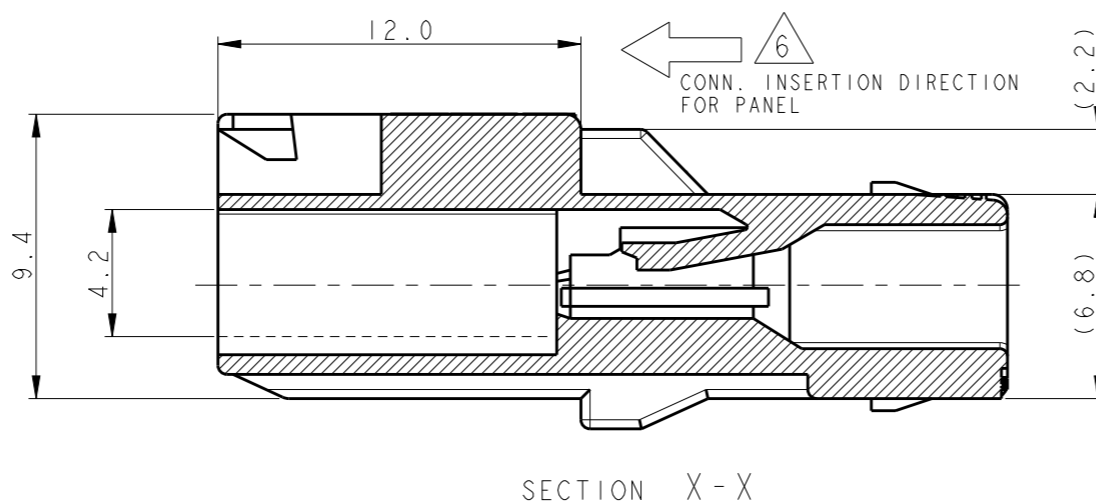
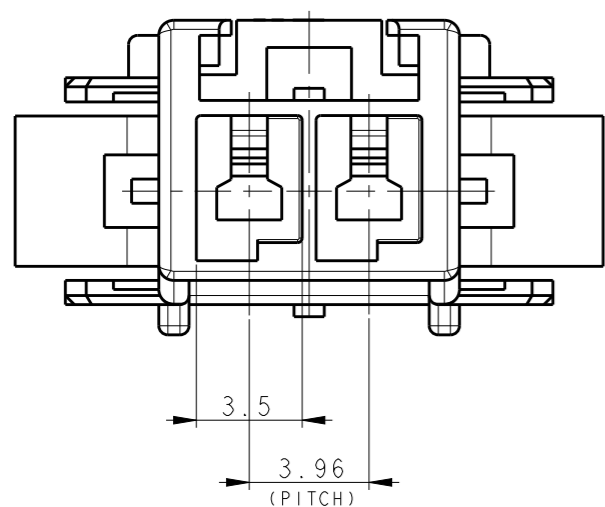
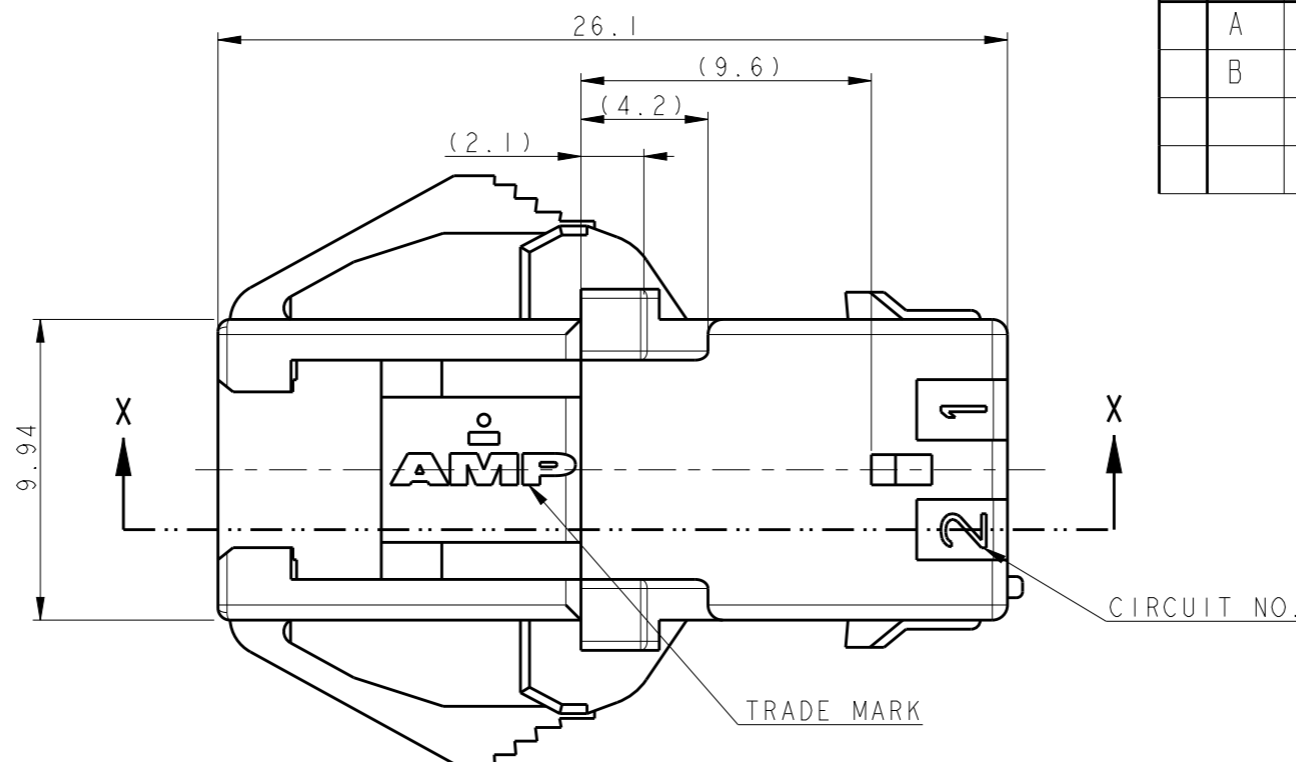


FIG 1. <sup>5</sup> RECOMMENDED PANEL OPENING DIMENSION  
 TOLERANCES: ±0.13



NOTE:  
 1. THIS HOUSING ACCEPTS TAB TERMINAL:  
 - TAB CONTACT: 177917-□ (AWG#16-#20)  
 177916-□ (AWG#22-#26)

2. MATING CONN. P/N  
 - PLUG HSG: 2005247-□  
 - REC CONTACT: 177915-□ (AWG#16-#20)  
 : 177914-□ (AWG#22-#26)

3. APPLICABLE DOUBLE LOCK PLATE:  
 177918-1(V-0) OR □-368590-1(V-2, GWT)  
 \*IT SHOULD BE USED CERTAINLY WHEN CABLE ASS'Y

4. GENERAL TOLERANCES: ±0.3  
<sup>5</sup> APPLICATOIN PANEL THICKNESS: 0.8~2.0 (SEE FIG 1.)  
<sup>6</sup> INSERT CONN. FROM PRESS DIRECTION SIDE FOR METAL PANEL.  
<sup>7</sup> EDGE OF THICKNESS MAY MUST NOT ROUND FOR MOLDED PANEL.

<sup>8</sup> MATERIAL: PA66, UL94V-0.  
 COMPLY WITH GLOW WIREREQUIREMENT FOR PARTS OF NON-METALLIC MATERIAL SUPPORTING A CURRENT-CARRYING CONNECTION DETAILED IN IEC 60335-1, SECTION 30(GWT).

THIS DRAWING IS A CONTROLLED DOCUMENT.	
DIMENSIONS: mm	TOLERANCES UNLESS OTHERWISE SPECIFIED: 0 PLC ± 1 PLC ± 2 PLC ± 3 PLC ± 4 PLC ± ANGLES ±
MATERIAL <sup>8</sup>	FINISH -

DWN SC KIM
CHK BW KANG
APVD JK SONG
PRODUCT SPEC 108-5410
APPLICATION SPEC 114-5175
WEIGHT -
CUSTOMER DRAWING

<b>STE</b> TE Connectivity	
NAME PDL 2P CAP HSG 3.96mm P/M (GWT)	
SIZE A3	CAGE CODE 00779
DRAWING NO C-2005249	RESTRICTED TO -
SCALE 4:1	SHEET 1 OF 1
REV B	

2005249-9	BLACK
2005249-6	BLUE
2005249-4	YELLOW
2005249-2	RED
2005249-1	NATURAL
PART NUMBER	COLOR

# Mouser Electronics

Authorized Distributor

Click to View Pricing, Inventory, Delivery & Lifecycle Information:

[TE Connectivity:](#)

[2005249-2](#)