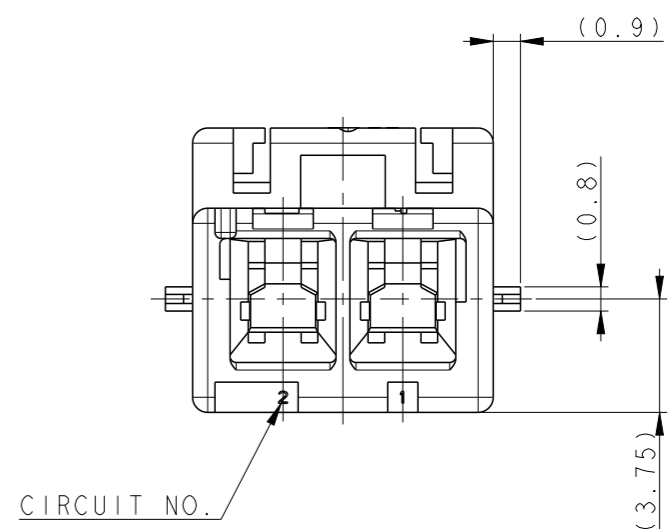
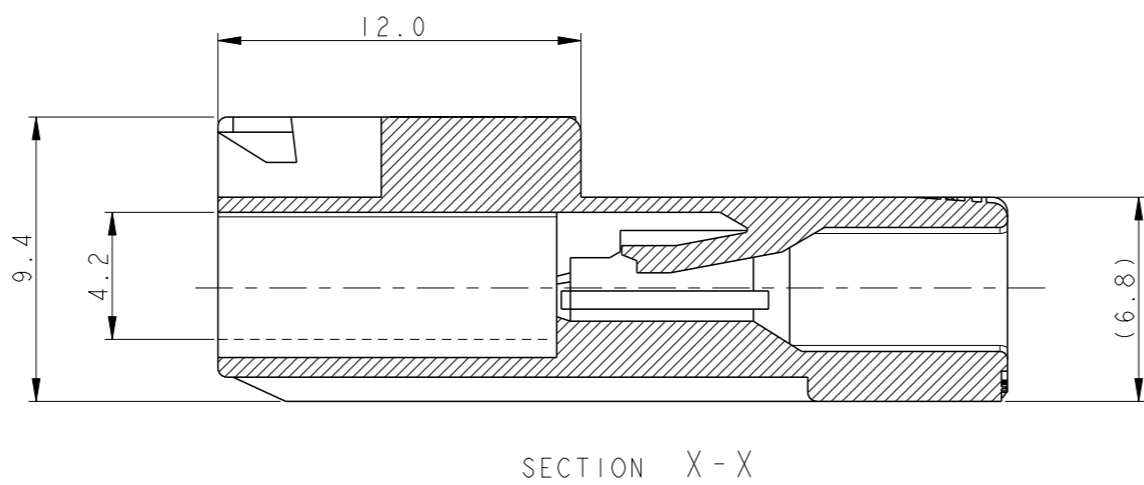
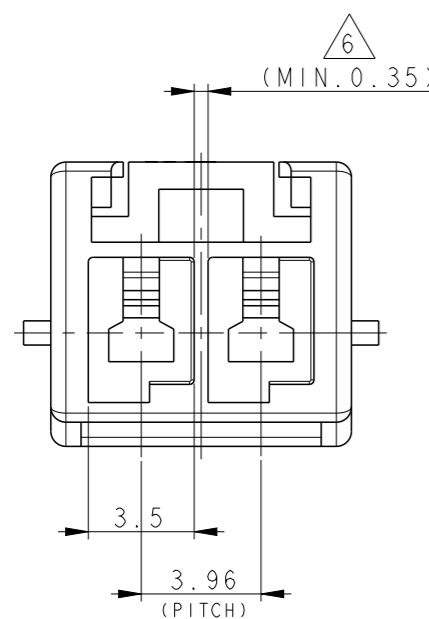
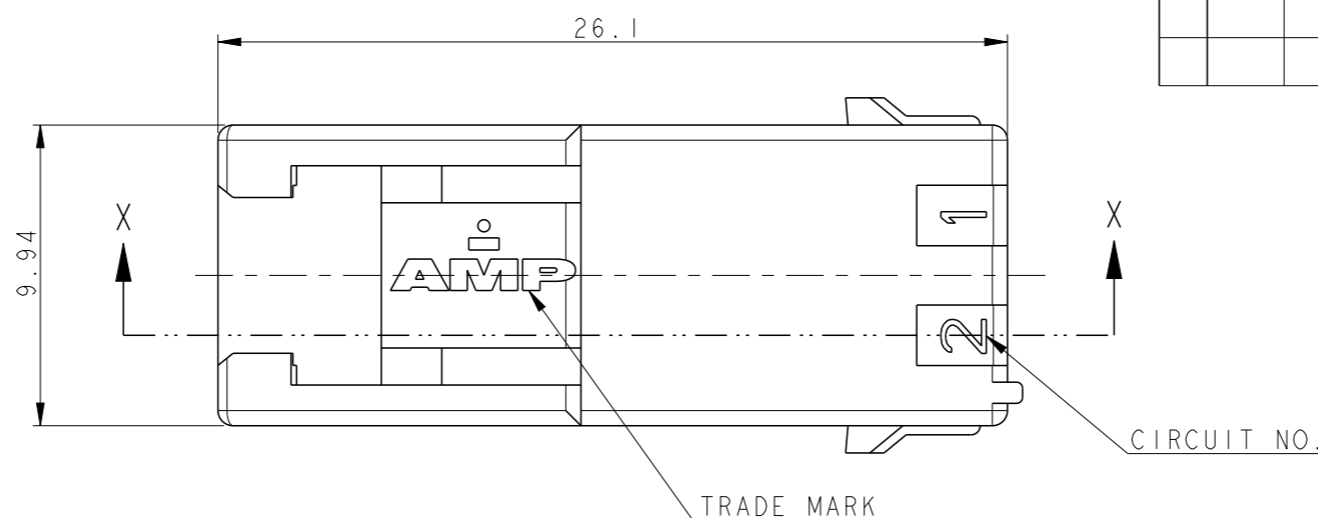


P	LTR	DESCRIPTION	DATE	DWN	APVD
	B	REVISED PER ECR-18-016962	29OCT2018	SC	BH



- NOTE;
- APPLICABLE CONTACT P/N
-TAB CONTACT: 177917-□ (AWG#16-#20)
177916-□ (AWG#22-#26)
 - MATING CONN. P/N
-PLUG HSG: 2005247-□
-REC CONTACT: 177915-□ (AWG#16-#20)
: 177914-□ (AWG#22-#26)
 - APPLICABLE DOUBLE LOCK PLATE:
177918-1(V-0) / □ -368590-1(V-2,GWT)
*IT SHOULD BE USED CERTAINLY WHEN CABLE ASS'Y
 - GENERAL TOLERANCES: ±0.3
 - MATERIAL: PA66, UL94V-0, GWIT 775°C, GWEPT 750°C,
CTI 250V AND BALL PRESSURE 125°C
 - MIN. THICKNESS OF INSULATING WALL

THIS DRAWING IS A CONTROLLED DOCUMENT.	
DIMENSIONS: mm	TOLERANCES UNLESS OTHERWISE SPECIFIED: 0 PLC ± 1 PLC ± 2 PLC ± 3 PLC ± 4 PLC ± ANGLES ± FINISH -
MATERIAL	

DWN SC KIM
CHK BW KANG
APVD JK SONG
PRODUCT SPEC 108-61106
APPLICATION SPEC -
WEIGHT -
CUSTOMER DRAWING

STE TE Connectivity

NAME
PDL 2P CAP HSG 3.96mm F/H (GWT)

SIZE	CAGE CODE	DRAWING NO	RESTRICTED TO
A3	00779	C-2005248	

SCALE 4:1 SHEET 1 OF 1 REV B

2005248-9	BLACK
2005248-6	BLUE
2005248-4	YELLOW
2005248-2	RED
2005248-1	NATURAL
P/N	COLOR

Mouser Electronics

Authorized Distributor

Click to View Pricing, Inventory, Delivery & Lifecycle Information:

[TE Connectivity:](#)

[2005248-6](#)