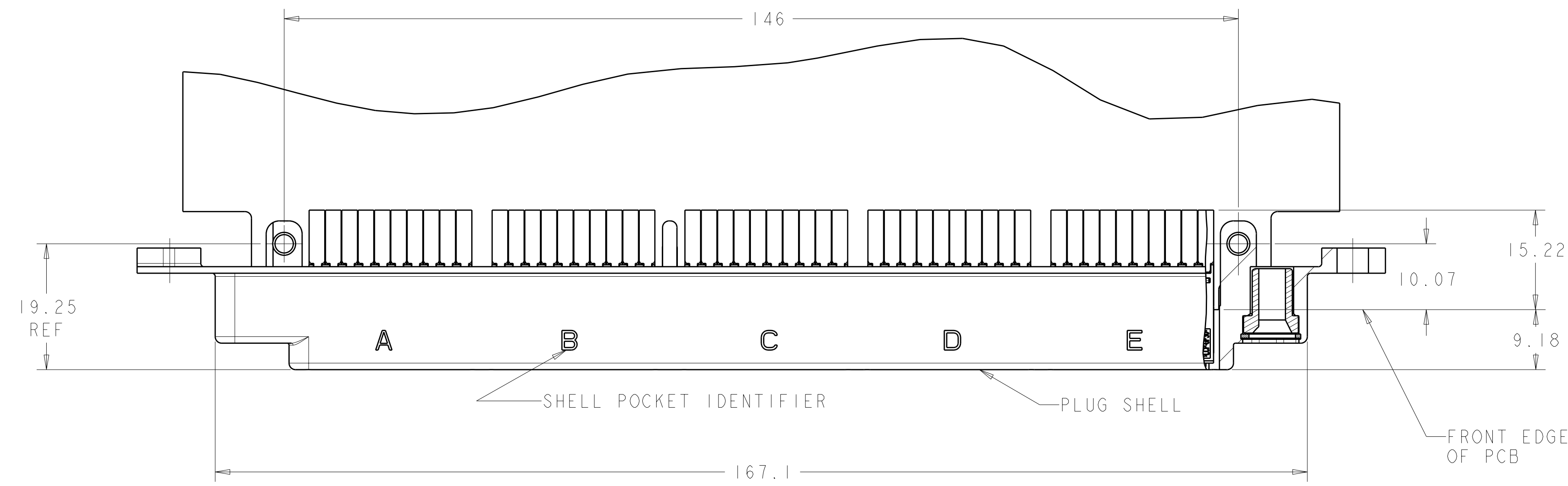
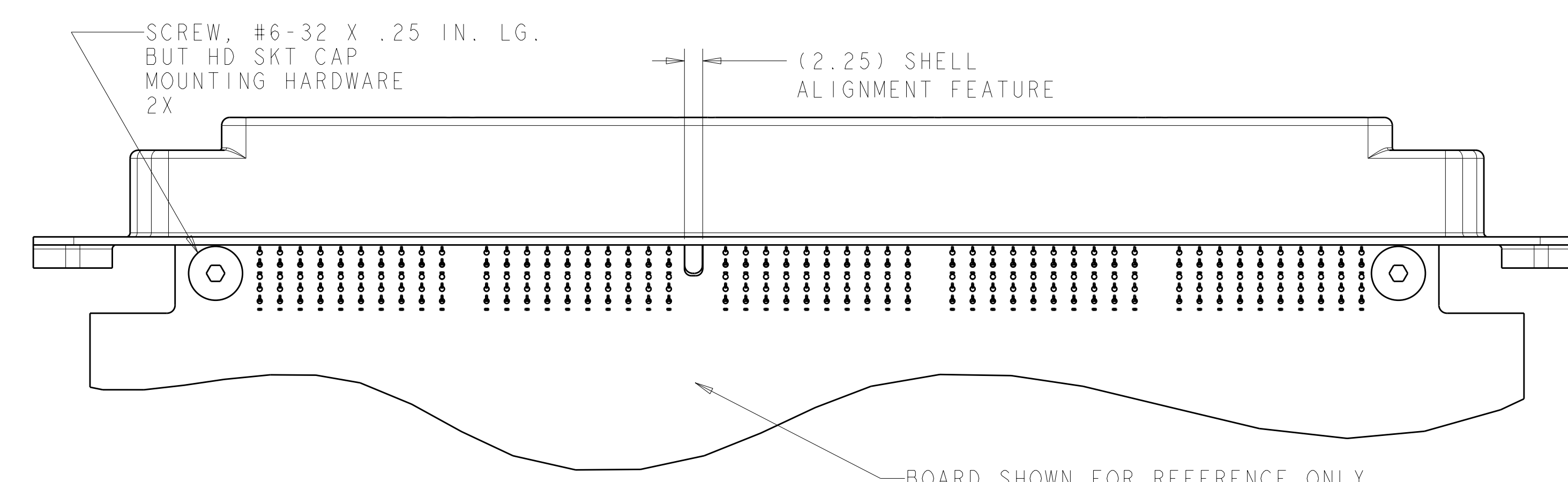
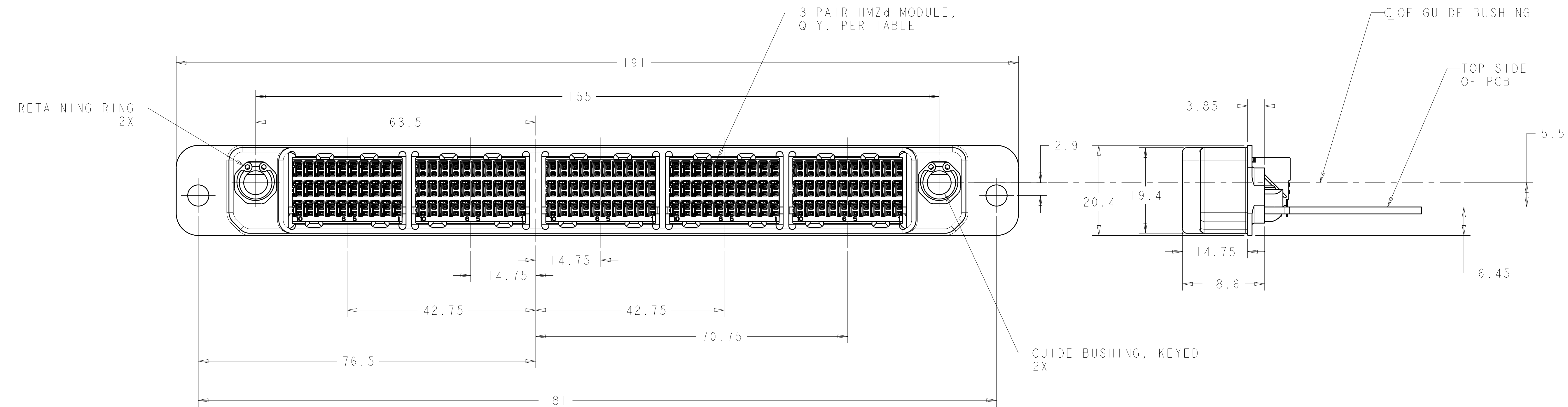


LOC		DIST		REVISIONS				
REV	DATE	BY	CHK	APPD	DESCRIPTION	DATE	DWN	APVD
C	1-23-12	CT	DH		REV PER ECO 12-001109			



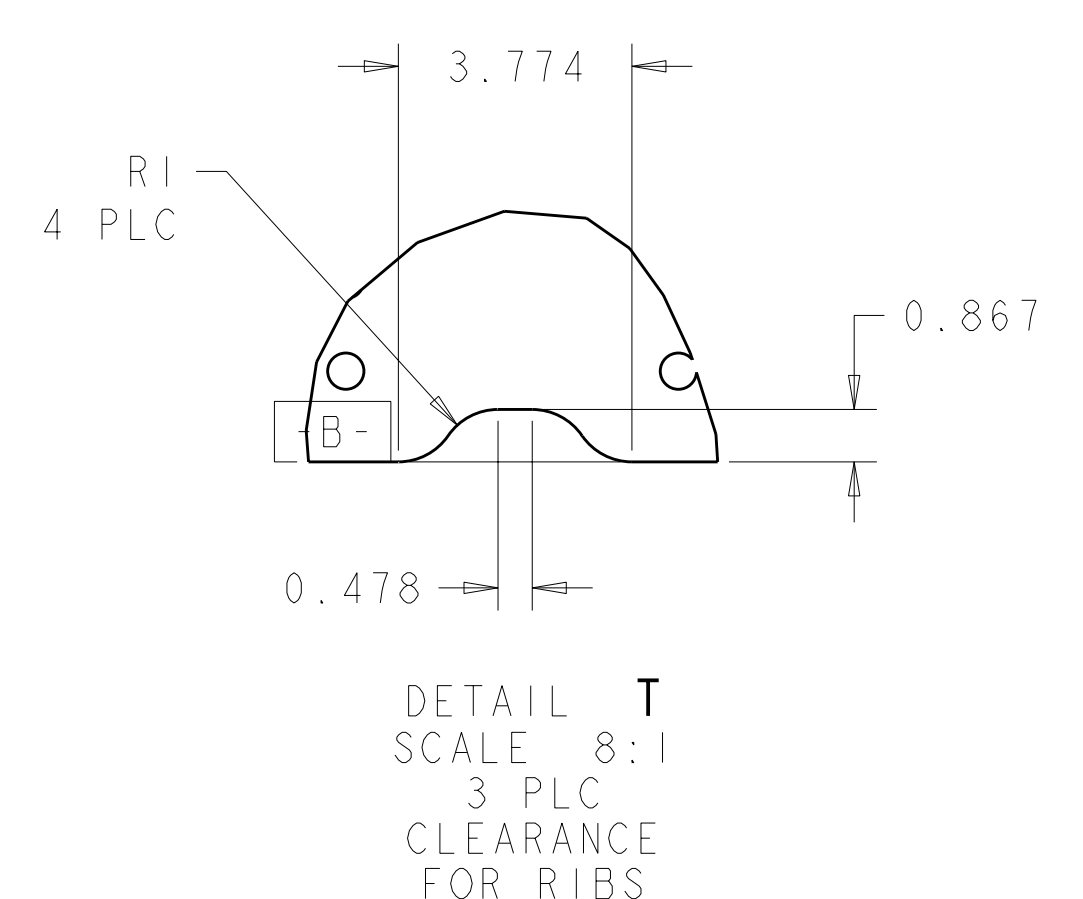
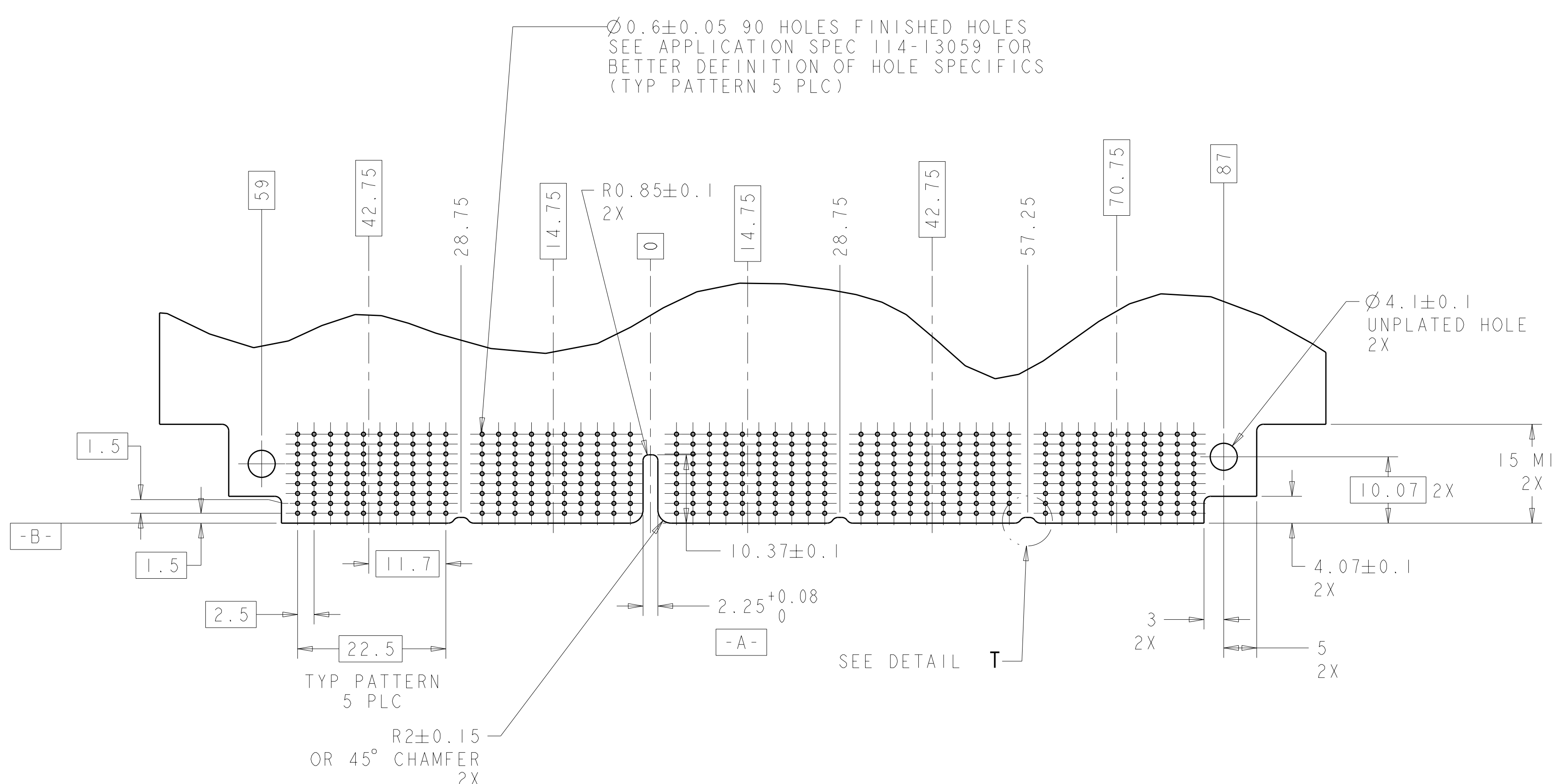
1. MATING CONNECTOR FOR THIS CONNECTOR IS 2157897.



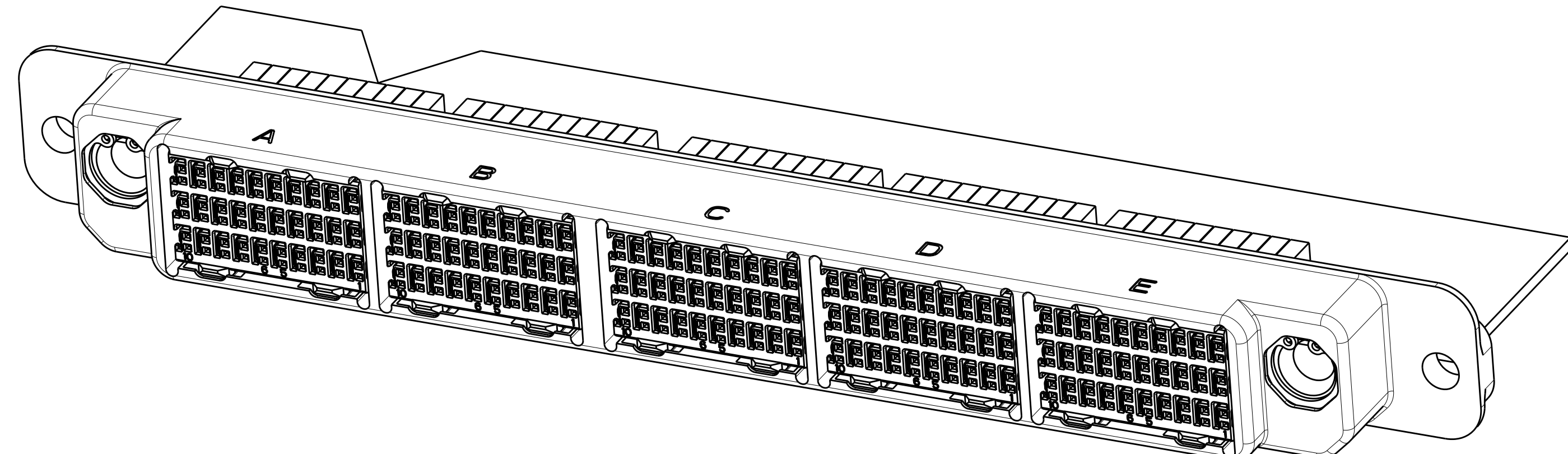
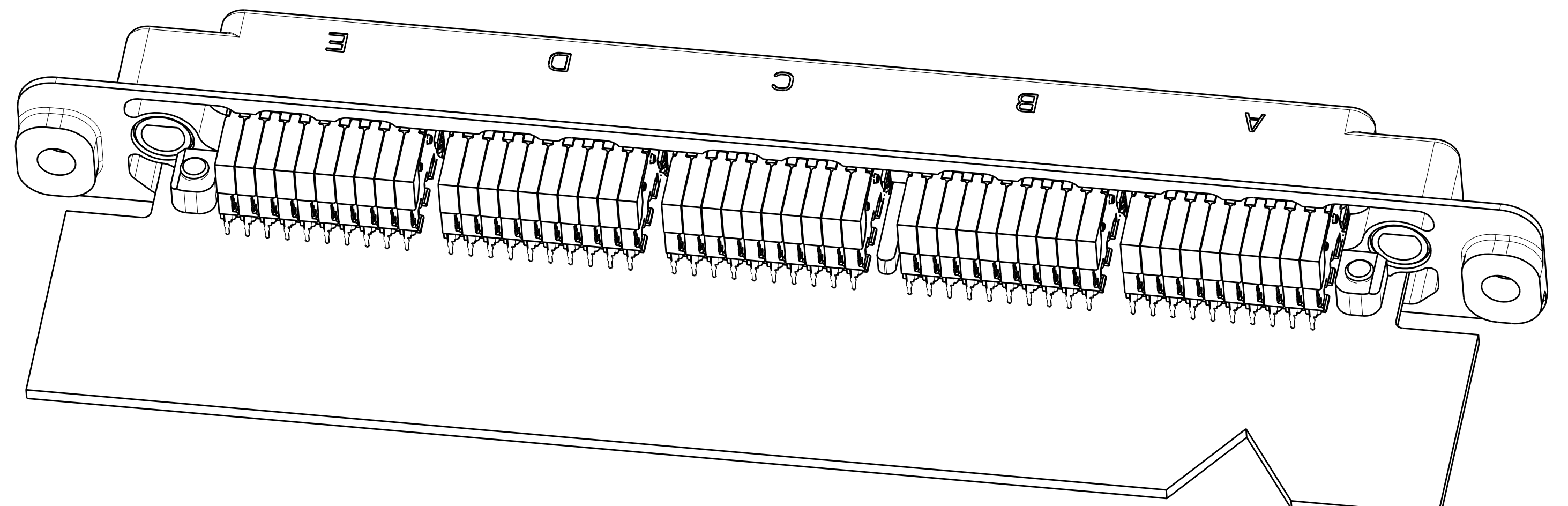
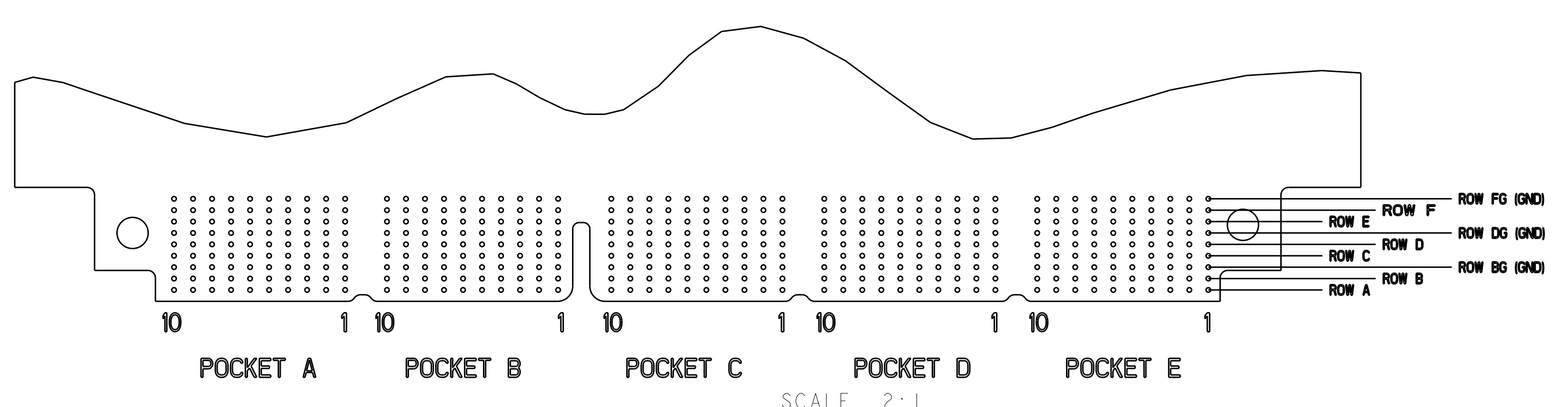
5	2000976-1
3 PAIR HMZd	PART NUMBER
MODULE QTY PER ASSY	

THIS DRAWING IS A CONTROLLED DOCUMENT.		DWN: D. FABIAN 29 JUN 2009	TE Connectivity
DIMENSIONS: mm		CHK: HUNG T. NGUYEN 09 JULY 2009	
TOLERANCES UNLESS OTHERWISE SPECIFIED:		APPD: HUNG T. NGUYEN 09 JULY 2009	NAME: DAUGHTER CARD CONNECTOR
9 PLC	±	PRODUCT SPEC	HIGH SPEED, RUGGEDIZED, (HSR)
1 PLC	±0.13	APPLICATION SPEC	5 BAY, UNSEALED, RIGHT ANGLE, FLANGED
5 PLC	±	SIZE CAGE CODE DRAWING NO	A100779C=2000976
4 PLC	±	RESTRICTED TO	
ANGLES	±1	WEIGHT	
MATERIAL		CUSTOMER DRAWING	SCALE 2:1 SHEET 1 OF 2 REV C

REVISONS		DATE	OWN	APVD
1	SEE SHEET 1			



RECOMMENDED PRINTED CIRCUIT BOARD HOLE LAY-OUT AS VIEWED FROM TOP OF PRINTED CIRCUIT BOARD



THIS DRAWING IS A CONTROLLED DOCUMENT.		DWN: D. FABIAN 29 JUN 2009 CHK: HUNG T. NGUYEN 09 JULY 2009 APVD: HUNG T. NGUYEN 09 JULY 2009	TE Connectivity
DIMENSIONS: mm 	TOLERANCES UNLESS OTHERWISE SPECIFIED: 9 PLC $\pm$ 1 PLC $\pm 0.13$ 5 PLC $\pm$ 4 PLC $\pm$ ANGLES $\pm 1$ FINISH	NAME: DAUGHTER CARD CONNECTOR PRODUCT SPEC: HIGH SPEED, RUGGEDIZED, (HSR) APPLICATION SPEC: 5 BAY, UNSEALED, RIGHT ANGLE, FLANGED	
MATERIAL:		WEIGHT:	RESTRICTED TO CUSTOMER DRAWING SCALE: 2:1 SHEET 2 OF 2 REV C

# Mouser Electronics

Authorized Distributor

Click to View Pricing, Inventory, Delivery & Lifecycle Information:

[TE Connectivity:](#)

[2000976-1](#)