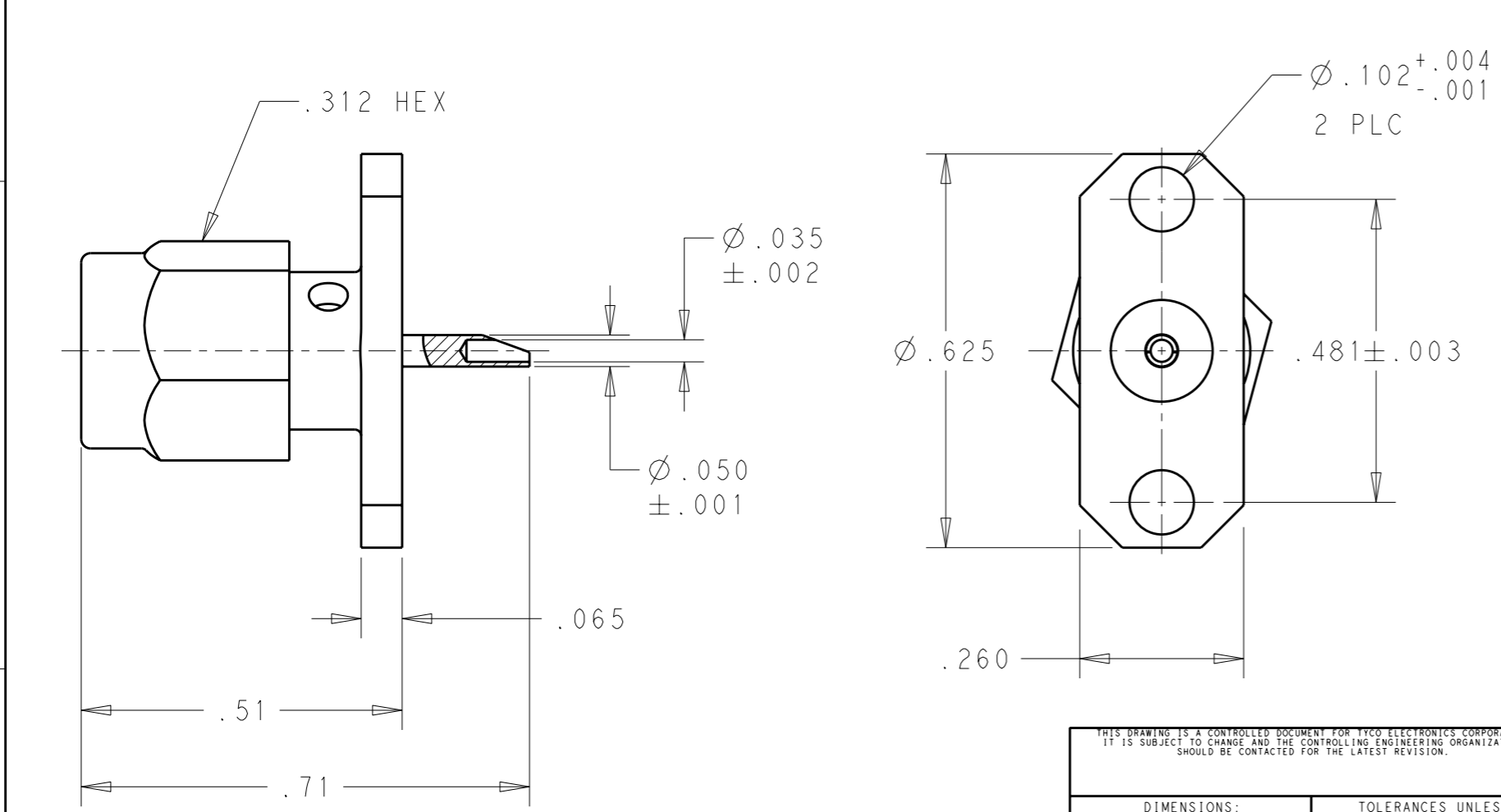


THIS DRAWING IS UNPUBLISHED. RELEASED FOR PUBLICATION  
 © COPYRIGHT - BY TYCO ELECTRONICS CORPORATION. ALL INTERNATIONAL RIGHTS RESERVED.

LOC	DIST	REVISIONS			
P	LTR	DESCRIPTION	DATE	DWN	APVD
-	-	A	RELEASED PER ECO 11-00962	13JAN2011	BM CT

ELECTRICAL	MECHANICAL	ENVIRONMENTAL
NOMINAL IMPEDANCE (Ohms): 50 FREQUENCY RANGE (GHz): DC to N/A VOLT RATING (VRMS MAX) @ SEA LEVEL: 335 INSERTION LOSS (dB MAX): N/A VSWR: N/A RF LEAKAGE (dB MIN): N/A DWV (VRMS MIN) @ SEA LEVEL: 1000 I.R. (MEGOHMS MIN): 10000 RF HI-POT (VRMS MIN @ 5 MHz): 670 (@ sea level) CORONA 70000 FT (VRMS MIN): 250 CONTACT RESISTANCE (MILLIOHMS MAX): CENTER: 2.0 OUTER: 2.0	INTERFACE DIMENSIONS: MIL-STD-348, FIG 310.2 RECOMMENDED MATING TORQUE (IN-LBS): 7-10 FORCE TO ENGAGE AND DISENGAGE (LBS MAX): 2.0 CENTER CONTACT CAPTIVATION AXIAL (LBS MIN): 6.0 RADIAL (IN-OZ MIN): 4.0	TEMPERATURE RANGE (°C): -65 to 125 VIBRATION: MIL-STD-1344, METHOD 2005, CONDITION IV SHOCK: MIL-STD-202, METHOD 213, CONDITION G THERMAL SHOCK: MIL-STD-202, METHOD 107, CONDITION A EXCEPT HIGH TEMP 200 °C CORROSION: MIL-STD-202, METHOD 101, CONDITION B MOISTURE RESISTANCE: MIL-STD-202, METHOD 106



FINISH	MATERIAL	COMPONENT
GOLD PLATE PER MIL-G-45204	STAINLESS STEEL PER ASTM A582, TYPE 303	HOUSING AND COUPLING NUT
NONE	TEFLON PER ASTM D1710	DIELECTRIC
GOLD PLATE PER MIL-G-45204	BERYLLIUM COPPER PER ASTM B196, COND H	CENTER CONTACT
NONE	BERYLLIUM COPPER PER ASTM B194, COND H	RETAINING RING
NONE	SILICONE RUBBER PER ZZ-R-765	GASKET

1996932-1  
 PART NUMBER

<small>THIS DRAWING IS A CONTROLLED DOCUMENT FOR TYCO ELECTRONICS CORPORATION IT IS SUBJECT TO CHANGE AND THE CONTROLLING ENGINEERING ORGANIZATION SHOULD BE CONTACTED FOR THE LATEST REVISION.</small>		DWN B. MOYER 13JAN2011 CHK C.C. THOMAS 1-14-11 APVD B. MOYER 1-14-11	Tyco Electronics Corporation Harrisburg, PA 17105-3608	
DIMENSIONS: INCHES 	TOLERANCES UNLESS OTHERWISE SPECIFIED: 0 PLC ± 1 PLC ± 2 PLC ±.01 3 PLC ±.005 4 PLC ± ANGLES ±	PRODUCT SPEC - APPLICATION SPEC - WEIGHT -	NAME SMA, 2 HOLE FLANGE MOUNT, PLUG RECEPTACLE SOLDER POT TERMINAL	
MATERIAL SEE TABLE	FINISH SEE TABLE	SIZE A3	CAGE CODE 00779	DRAWING NO C-1996932
CUSTOMER DRAWING		SCALE 4:1	SHEET 1 OF 1	REV A

# Mouser Electronics

Authorized Distributor

Click to View Pricing, Inventory, Delivery & Lifecycle Information:

[TE Connectivity:](#)

[1996932-1](#)