

THIS DRAWING IS UNPUBLISHED.

RELEASED FOR PUBLICATION

20

© COPYRIGHT 20 BY -

ALL RIGHTS RESERVED.

LOC -

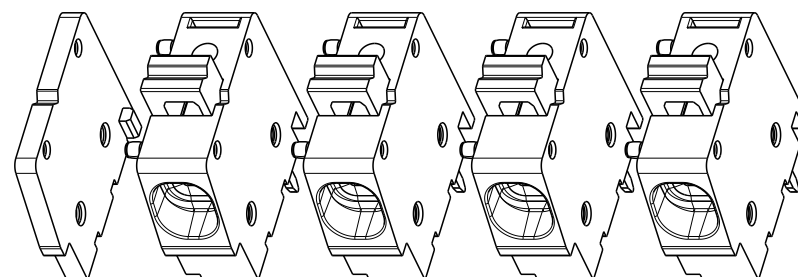
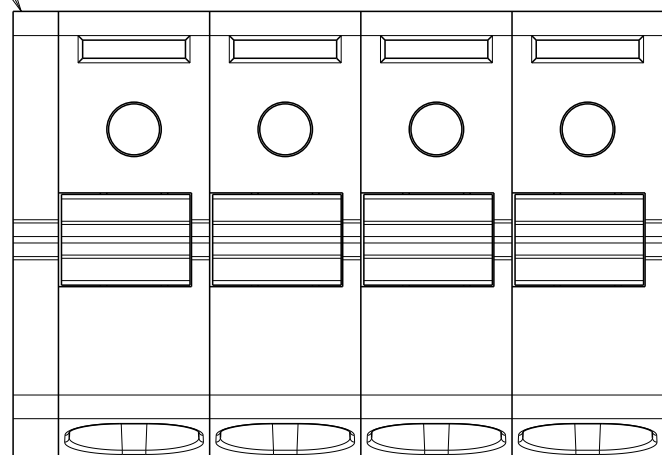
DIST -

REVISIONS

P	LTR	DESCRIPTION	DATE	DWN	APVD
	B	PLATING INFORMATION ADDED	16JUL2019	RK	PS

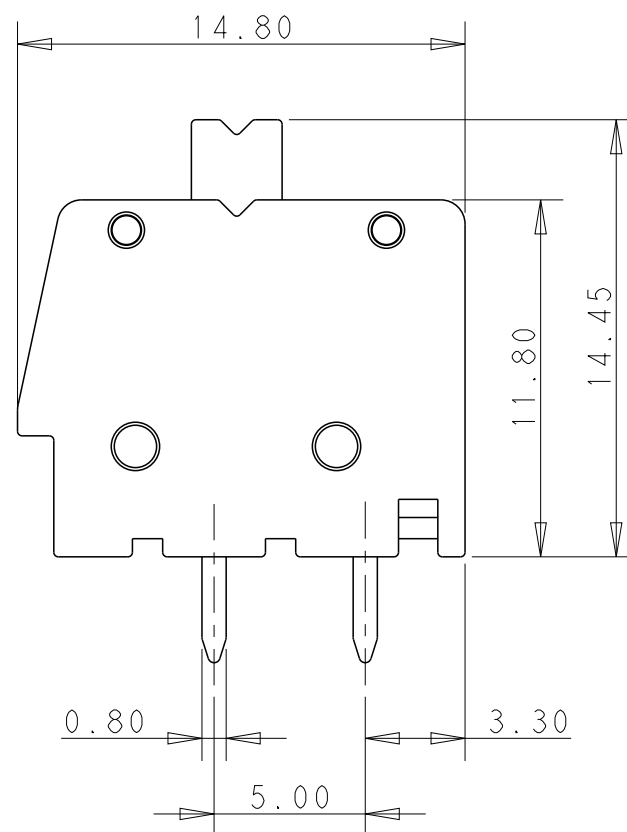
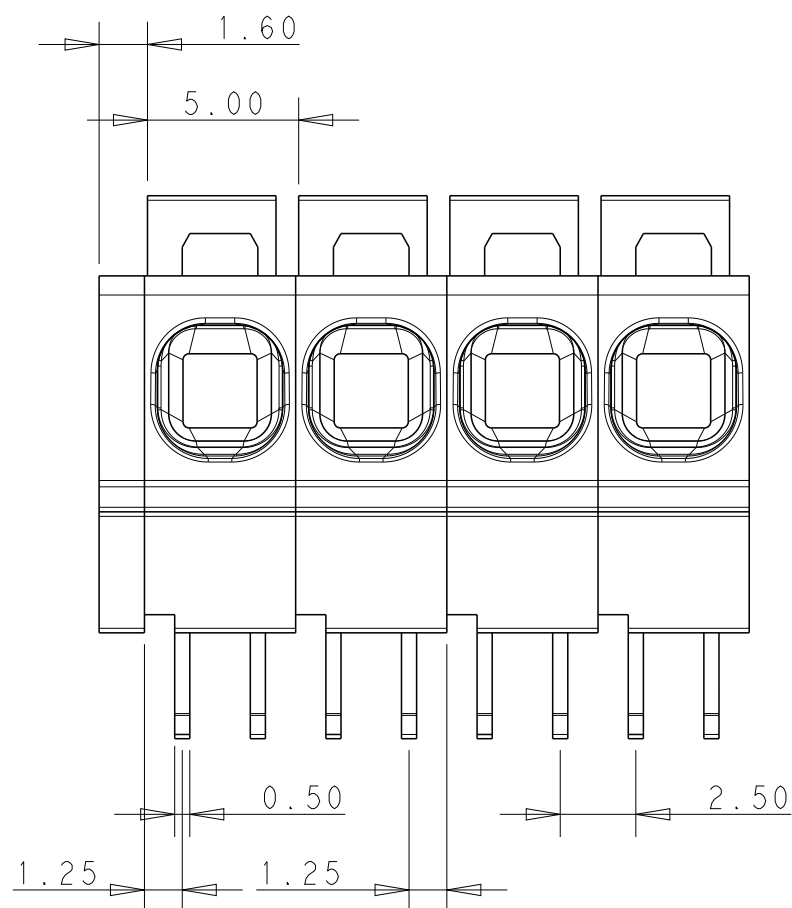
TERMINAL PLATE

"L"

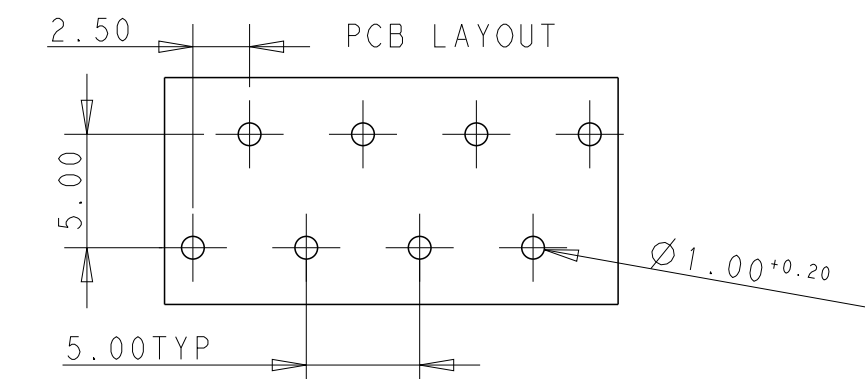


SCALE 2:1
-4AS SHOWN

- MATERIAL:
HOUSING - PA66 , UL94 V0
CLAMPING SPRING - STAINLESS STEEL
PIN - COPPER ALLOY - BRIGHT TIN PLATED
- MECHANICAL:
MIN. PC BOARD HOLES DIAMETER : 1.2 mm
MAX. PC BOARD THICKNESS : 2.4 mm
WIRE STRIPPING LENGTH : 11.5 mm
- ELECTRICAL:
WIRE RANGE : 12-30 AWG
RATED VOLTAGE : 300V
RATED CURRENT : 16A
CONTACT RESISTANCE : <15 m Ohm
INSULATION RESISTANCE : >1000 M Ohm (500V DC)
- OPERATING TEMPERATURE RANGE : -40°C TO +105°C



61.50	12	1-1986774-2
56.50	11	1-1986774-1
51.50	10	1-1986774-0
46.50	9	1986774-9
41.50	8	1986774-8
36.50	7	1986774-7
31.50	6	1986774-6
26.50	5	1986774-5
21.50	4	1986774-4
16.50	3	1986774-3
11.50	2	1986774-2
"L"	POLE	PART NO



THIS DRAWING IS A CONTROLLED DOCUMENT.

DWN 11OCT2012
KIRAN HOLAL

CHK 11OCT2012
MARK BRUBAKER

APVD 11OCT2012
MARK BRUBAKER

PRODUCT SPEC

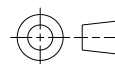
APPLICATION SPEC

WEIGHT

CUSTOMER DRAWING

DIMENSIONS:
mm

TOLERANCES UNLESS OTHERWISE SPECIFIED:



0 PLC	±0.5
1 PLC	±0.25
2 PLC	±0.25
3 PLC	±0.25
4 PLC	±0.25
ANGLES	±1°
FINISH	-

MATERIAL

-

FINISH

-



TE Connectivity

NAME
SPRING TYPE, SIDE WIRE ENTRY TERMINAL BLOCK
SIDE STACKABLE 02-25 POLES PITCH 5.00MM

SIZE CAGE CODE DRAWING NO RESTRICTED TO

A300779 C-1986774

SCALE 3:1 SHEET 1 OF 1 REV B

Mouser Electronics

Authorized Distributor

Click to View Pricing, Inventory, Delivery & Lifecycle Information:

[TE Connectivity:](#)

[1986774-2](#)