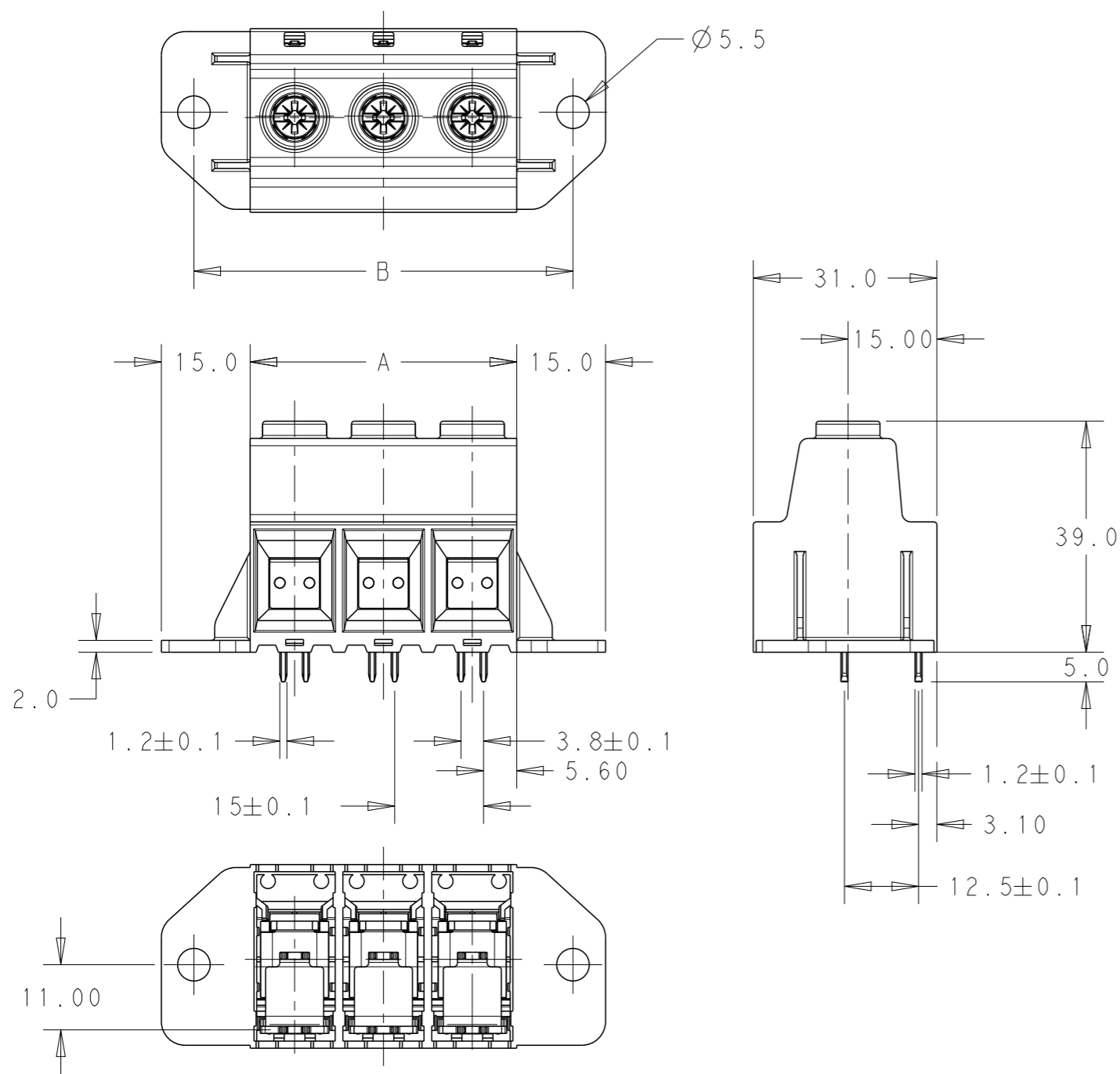


LOC
AI

DIST
-

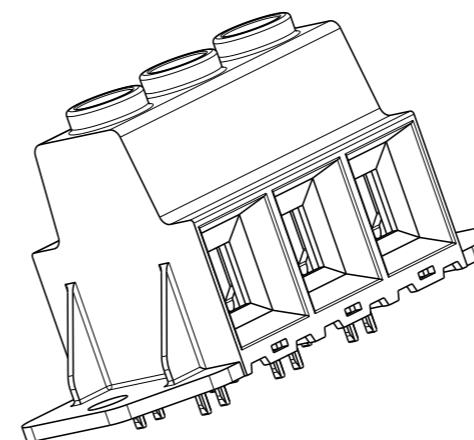
REVISIONS

P	LTR	DESCRIPTION	DATE	DWN	APVD
	B1	DIM "B" ADDED	05DEC2014	PS	JK



NOTES:

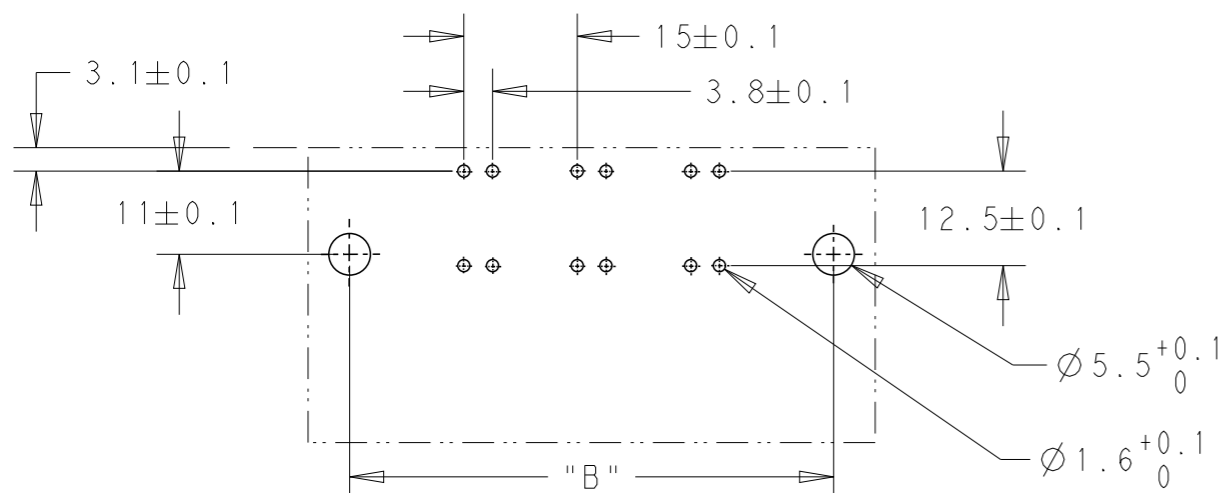
- MATERIALS:**
 HOUSING-PA66, UL94 VO, COLOR-GREEN
 SCREW- M5, STEEL, NICKEL PLATED
 CLAMP- STEEL, NICKEL PLATED
 CONTACT PIN- BRASS, TIN PLATED
- MECHANICAL:**
 PCB THICKNESS-2.40 MAX
 PCB HOLE DIAMETER-1.60 MIN
 STRIP LENGTH-18 mm
 OPERATING TEMPERATURE:-40°C TO +110°C
 RECOMMENDED/HIGHEST TIGHTENING TORQUE-2.1/2.5 Nm.
- ELECTRICAL:**
 WIRE RANGE- 20 TO 1 AWG
 VOLTAGE RATING- 600 VOLTS
 CURRENT RATING-130 A FIELD WIRING;135A FACTORY WIRING
 CONTACT RESISTANCE-15 mOHM MAX
 INSULATION RESISTANCE-10⁹ OHMS MIN (500V DC)



SCALE 1:1
-3 AS SHOWN

199.00	180.00	12	1-1986715-2
184.00	165.00	11	1-1986715-1
169.00	150.00	10	1-1986715-0
154.00	135.00	9	1986715-9
139.00	120.00	8	1986715-8
124.00	105.00	7	1986715-7
109.00	90.00	6	1986715-6
94.00	75.00	5	1986715-5
79.00	60.00	4	1986715-4
64.00	45.00	3	1986715-3
49.00	30.00	2	1986715-2
DIM "B"	DIM "A"	POLE	PART NUMBER

RECOMMENDED PCB LAYOUT



THIS DRAWING IS A CONTROLLED DOCUMENT.

DWN 13SEP2011
RAGHAVENDRA

CHK 13SEP2011
SARVER MICHAEL

APVD 13SEP2011
SARVER MICHAEL

PRODUCT SPEC

APPLICATION SPEC

WEIGHT

Customer Drawing



TE Connectivity

NAME
POWER TERMINAL BLOCK, DOUBLE PIN
MOUNTING FLANGES; PITCH 15.00 mm

SIZE CAGE CODE DRAWING NO RESTRICTED TO

A300779 C-1986715

SCALE 1:1 SHEET 1 OF 1 REV B1

Mouser Electronics

Authorized Distributor

Click to View Pricing, Inventory, Delivery & Lifecycle Information:

[TE Connectivity:](#)

[1986715-3](#)