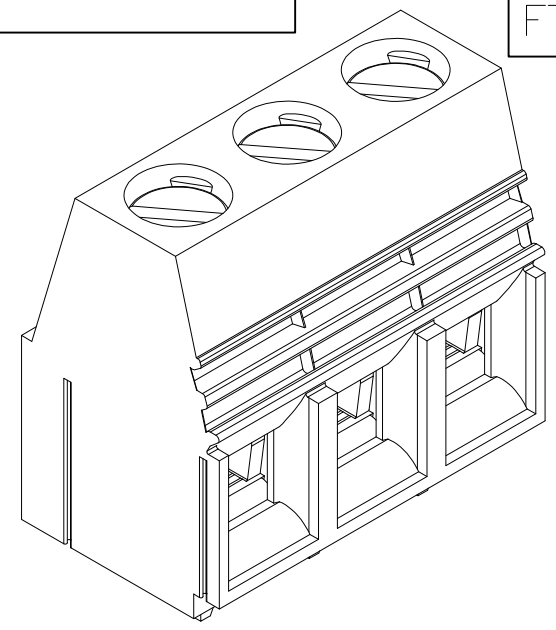
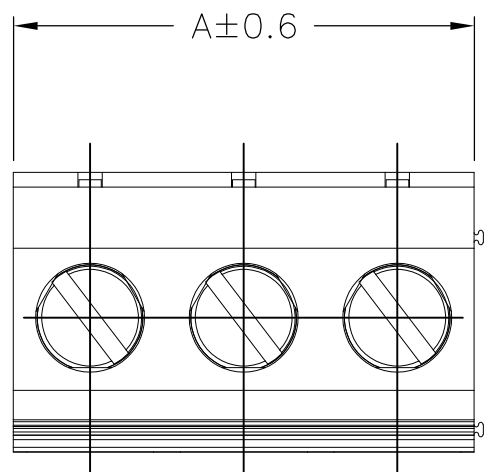


THIS DRAWING IS UNPUBLISHED. RELEASED FOR PUBLICATION
 © COPYRIGHT - By - ALL RIGHTS RESERVED.

LOC	DIST	REVISIONS					
FT	0	P	LTR	DESCRIPTION	DATE	DWN	APVD
			A2	PCB LAYOUT ADDED	24AUG2015	SS	PS



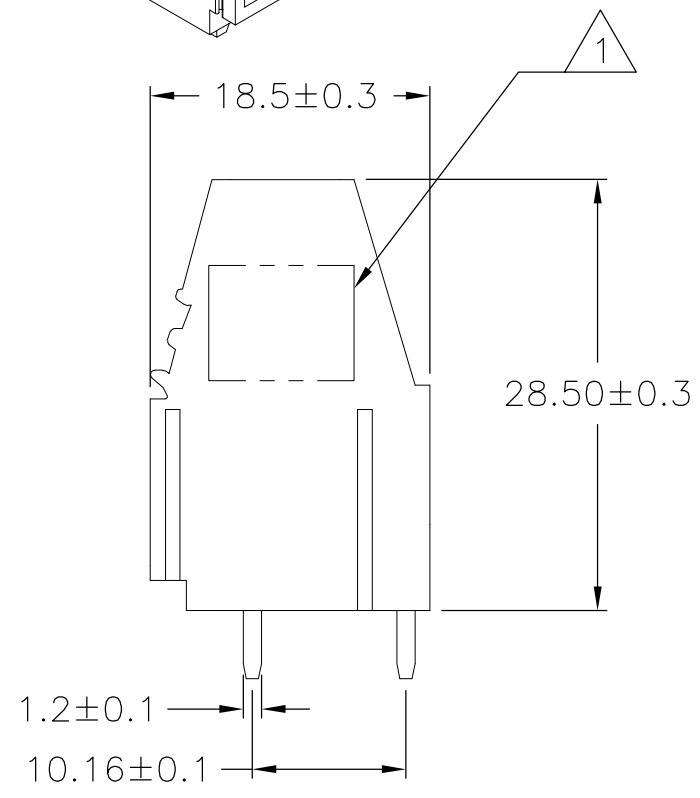
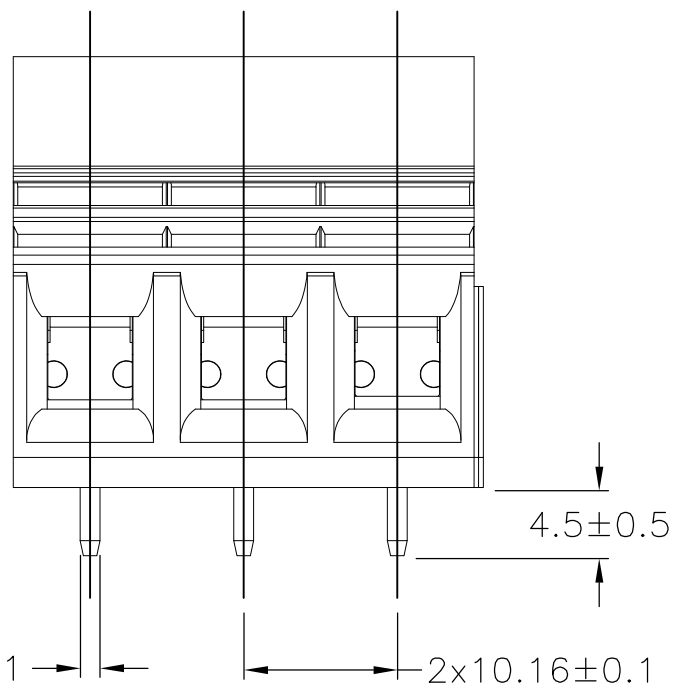
MATERIAL:
 HOUSING: PA66, UL94V-0,
 COLOR: SEE TABLE
 PIN: BRASS, TIN PLATED
 WIRE GUARD: BRASS, NICKEL PLATED
 SCREWS: M4, STEEL, ZINC PLATED

ELECTRICAL:
 VOLTAGE RATING: 300V
 CURRENT RATING: 65A
 INSULATION RESISTANCE: 2000Mohm/500V
 WITHSTANDING VOLTAGE: AC2000V/1 MIN
 WIRE RANGE: 26-6 AWG

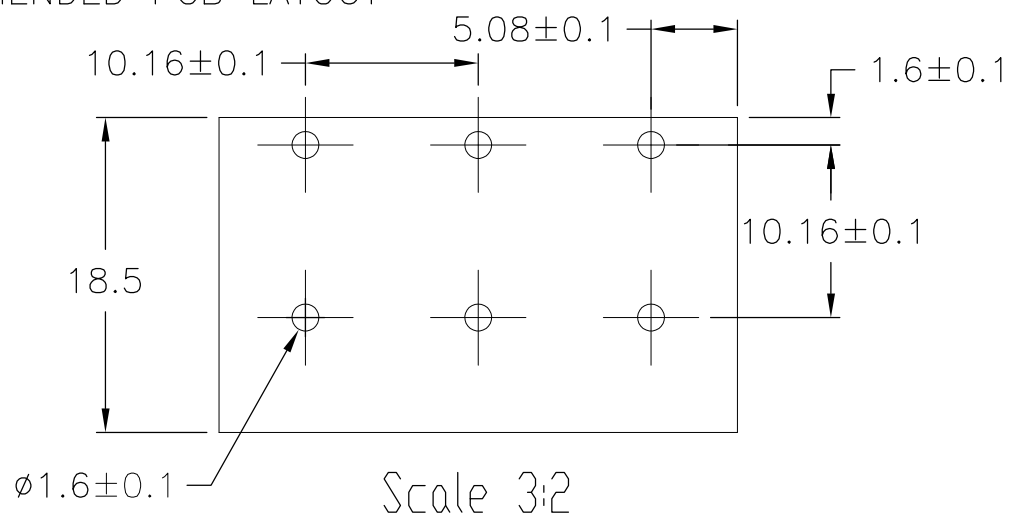
MECHANICAL:
 WORKING TEMP.: -40°C TO +105°C
 MAX SOLDERING: +250°C FOR 5 SEC.
 TIGHTENING TORQUE: 20.5 IN-LB

1 TE LOGO AND COUNTRY OF ORIGIN AND T CODE, LOCATED IN APPROXIMATE AREA SHOWN.

2 RECOMMENDED PCB MOUNTING HOLE DIA 1.6



RECOMMENDED PCB LAYOUT



BLACK	30.48	3	1-1986660-3
BLACK	20.32	2	1-1986660-2
GREEN	30.48	3	1986660-3
GREEN	20.32	2	1986660-2
COLOR	DIM A	NO OF POS	PART NUMBER

THIS DRAWING IS A CONTROLLED DOCUMENT.		DWN	JR RUTH	27AUG10	STE TE Connectivity		
DIMENSIONS: mm		CHK	CATHY RICHARD	27AUG10			
TOLERANCES UNLESS OTHERWISE SPECIFIED:		APVD	CATHY RICHARD	27AUG10	NAME		
0 PLC ± -		PRODUCT SPEC			TERMINAL BLOCK, POWER CONNECTOR		
1 PLC ± 0.3		APPLICATION SPEC			10.16 PITCH		
2 PLC ± 0.25		SIZE	A3	CAGE CODE	00779	DRAWING NO	C-1986660
3 PLC ± -		WEIGHT			RESTRICTED TO		
4 PLC ± -		CUSTOMER DRAWING			SCALE 2:1		
ANGLES ± ±		FINISH			SHEET 1 OF 1		
MATERIAL -		REV			A2		

Mouser Electronics

Authorized Distributor

Click to View Pricing, Inventory, Delivery & Lifecycle Information:

[TE Connectivity:](#)

[1-1986660-2](#)