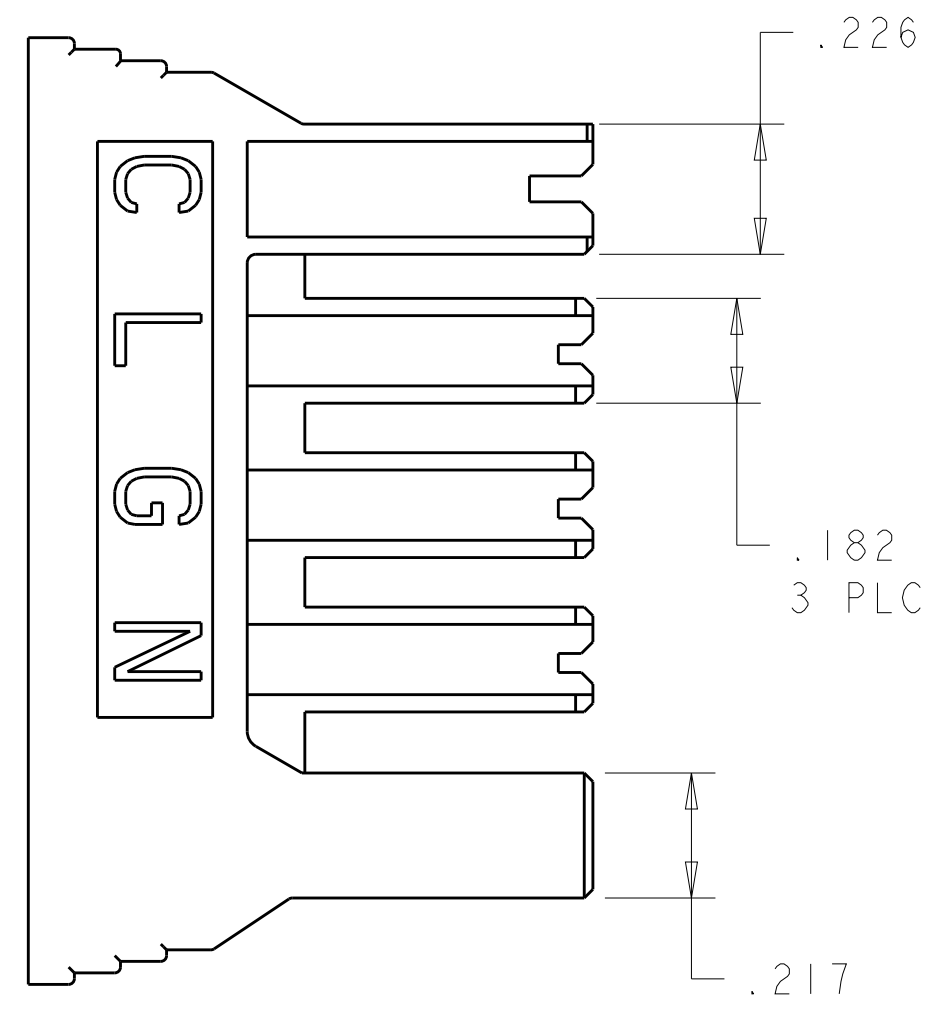
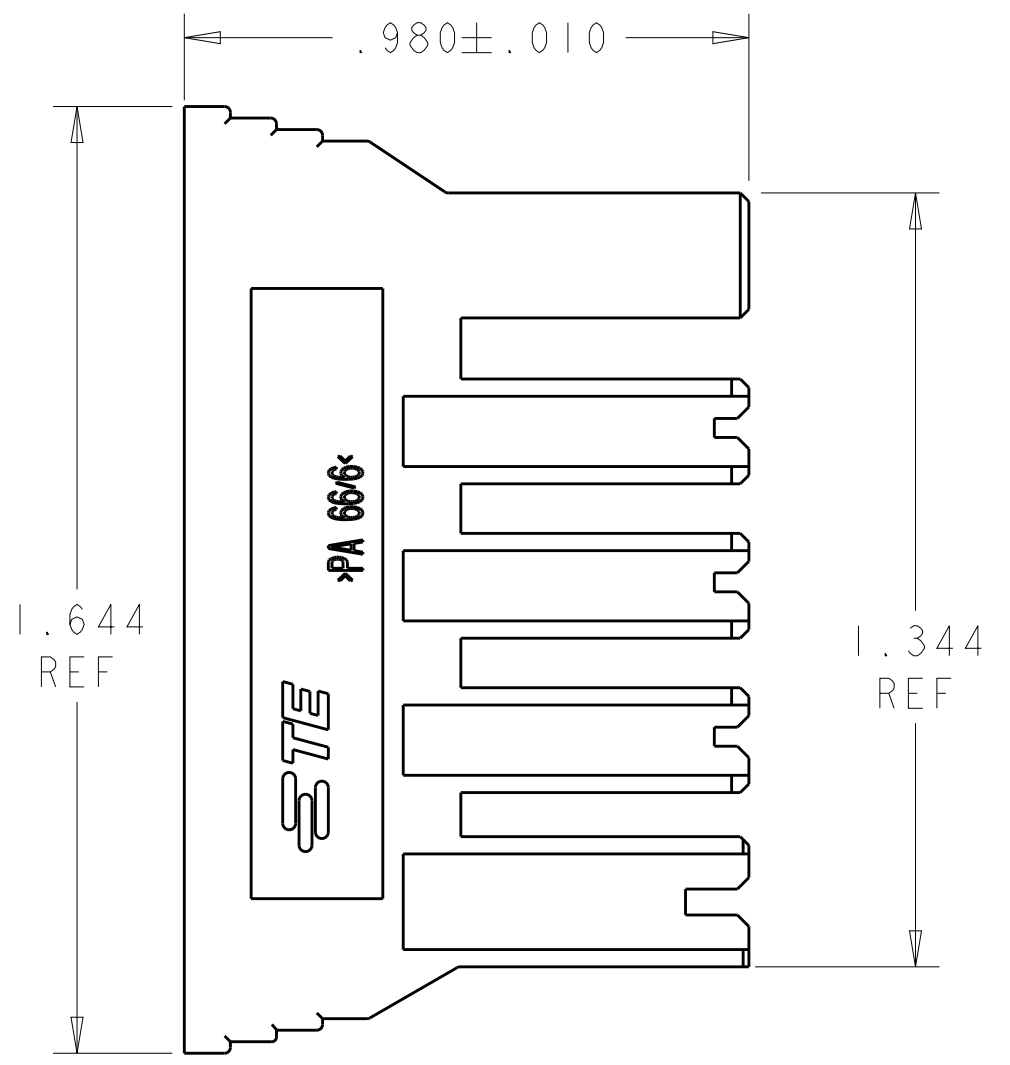
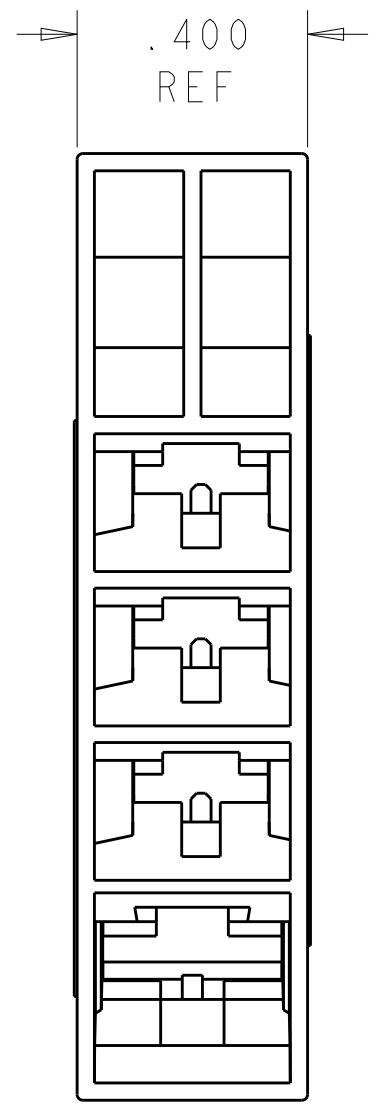
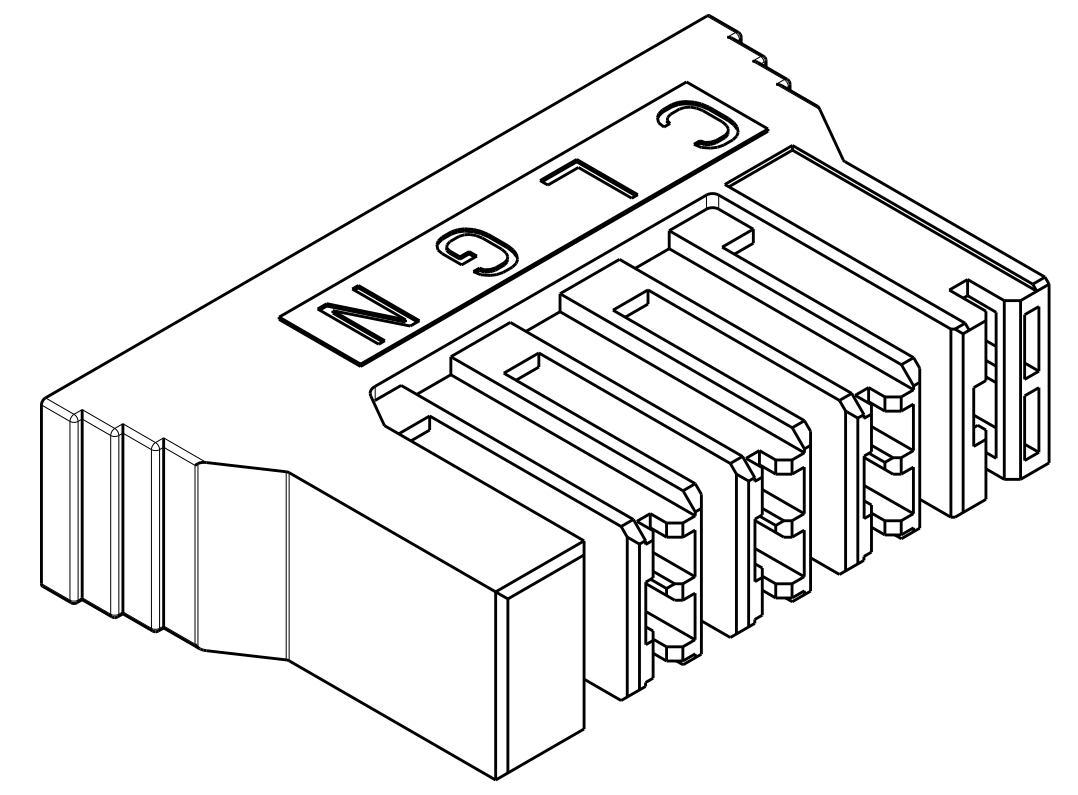
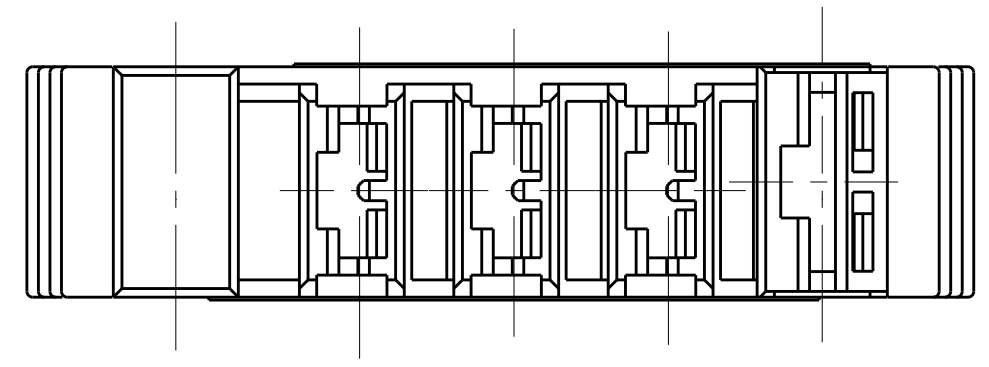
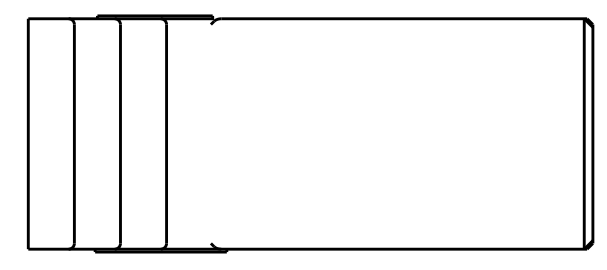


THIS DRAWING IS UNPUBLISHED. RELEASED FOR PUBLICATION 20
 © COPYRIGHT 20 BY - ALL RIGHTS RESERVED.

REVISIONS					
P	LTR	DESCRIPTION	DATE	DWN	APVD
B		UPDATED PER ECO-19-012645	14AUG2019	RS	LB



- CIRCUIT "C" ACCEPTS:
 .250 X .032 STANDARD FASTON RECEPTACLE PN 2238196-3 OR 2238173-3
- CIRCUITS L,G,& N ACCEPT:
 .187 X .020 STANDARD FASTON RECEPTACLE PN 2238207-3
- THIS PRODUCT HAS NOT COMPLETED QUALIFICATION TESTING.



BLACK	NYLON 66/6, V0	1969898-1
COLOR	MATERIAL	PART NUMBER

THIS DRAWING IS A CONTROLLED DOCUMENT.

DIMENSIONS: INCHES	TOLERANCES UNLESS OTHERWISE SPECIFIED: 0 PLC ± 1 PLC ± 2 PLC ± 3 PLC ±.010 4 PLC ± ANGLES ±2° FINISH -	DWN 15FEB2018 BASAVARAJA, D. A.	TE Connectivity NAME HOUSING, RECEPTACLE STANDARD FASTON 4 POSITION
		CHK 15FEB2018 BREKOSKY, LAWRENCE	
MATERIAL SEE TABLE		APVD 15FEB2018 BREKOSKY, LAWRENCE	SIZE CAGE CODE DRAWING NO RESTRICTED TO
			A200779 C-1969898
CUSTOMER DRAWING		SCALE 3:1	SHEET OF REV B

Mouser Electronics

Authorized Distributor

Click to View Pricing, Inventory, Delivery & Lifecycle Information:

[1969898-1](#)