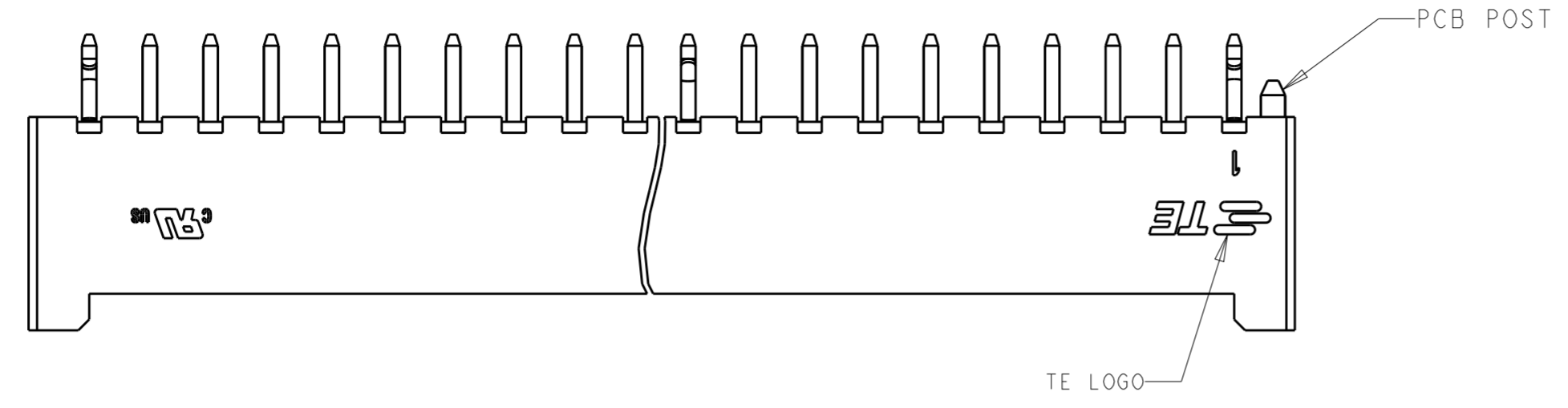
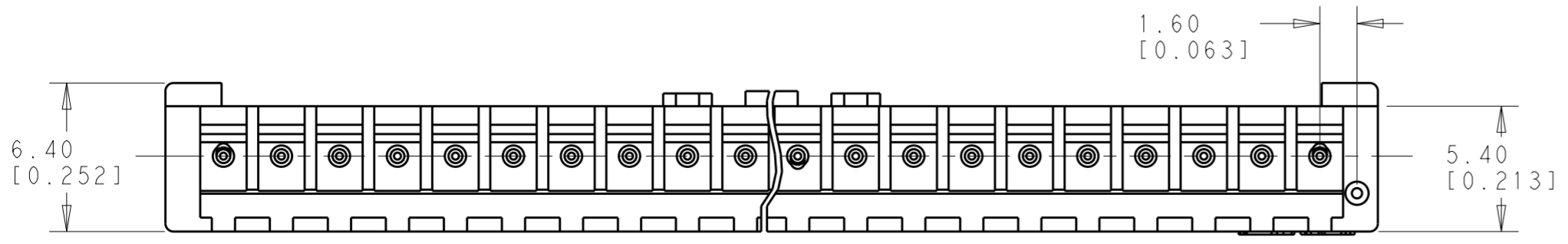
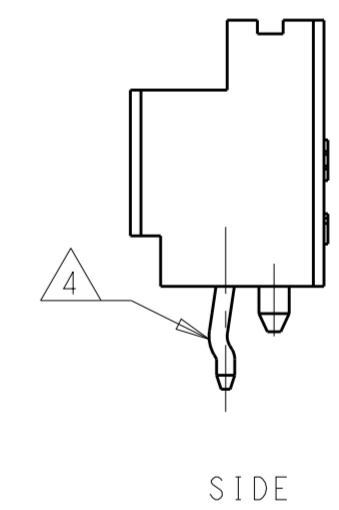
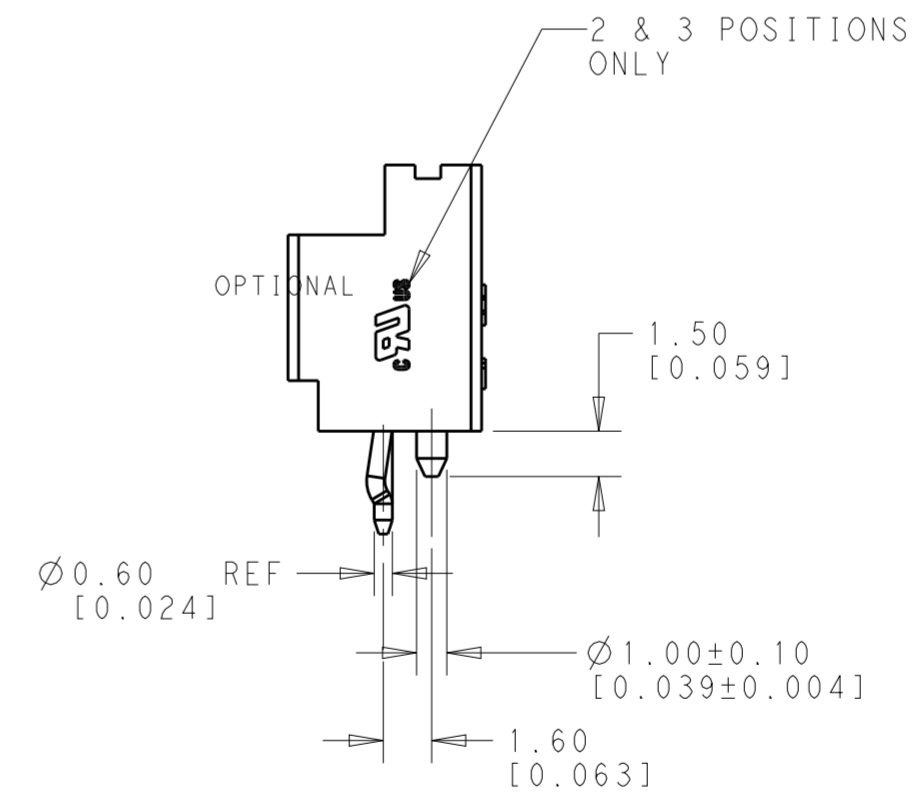
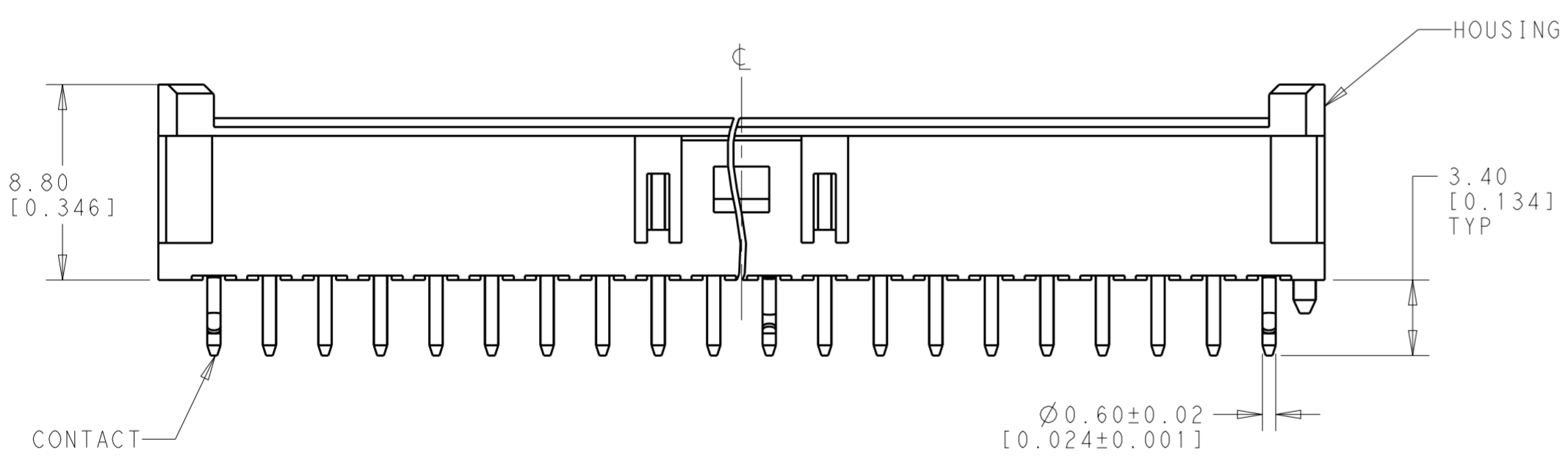
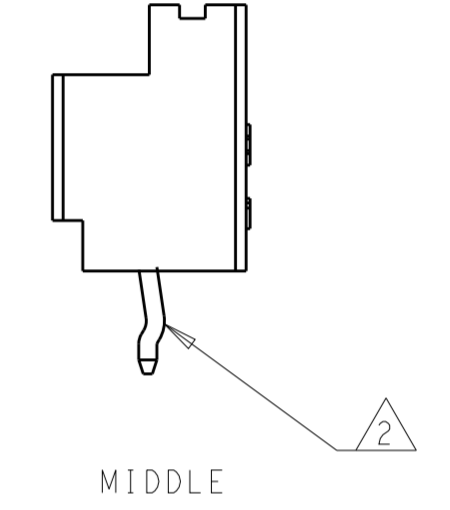
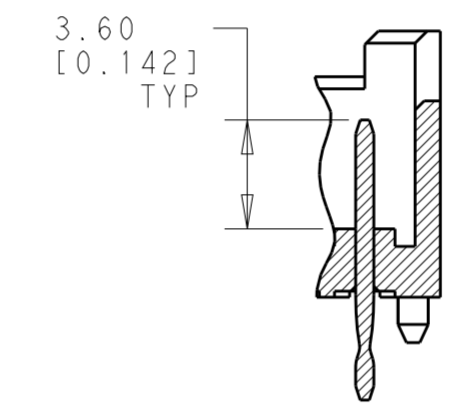
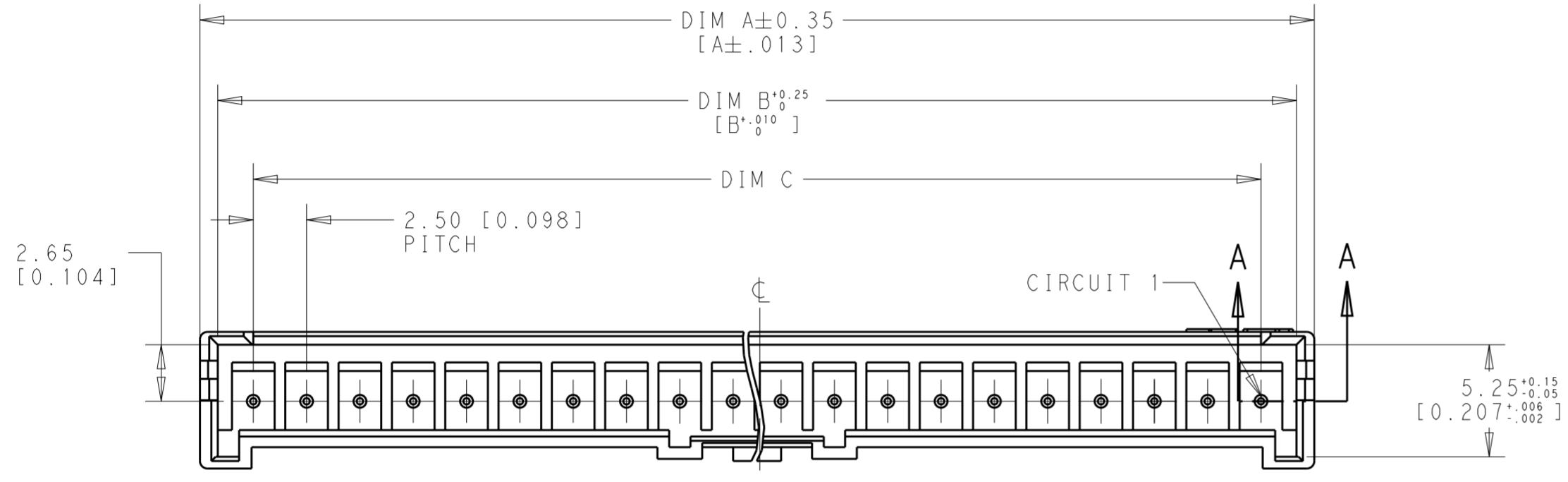


THIS DRAWING IS UNPUBLISHED. RELEASED FOR PUBLICATION
 © COPYRIGHT copyright.d8Te- ALL RIGHTS RESERVED.

REVISIONS					
P	LTR	DESCRIPTION	DATE	DWN	APVD
	A3	REVISED PER ECR-16-015820	22NOV2016	O.C	D.Z



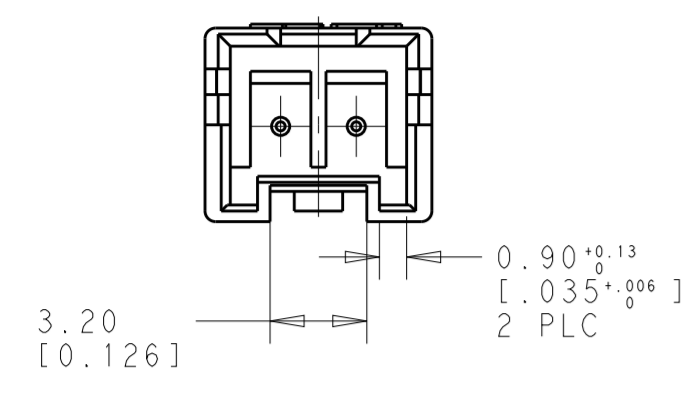
- 1 MATERIAL: HOUSING: THERMOPLASTIC, UL94 V0, COLOR: NATURAL. TERMINAL: BRASS, NICKEL UNDER PLATING, Tin PLATING ON PIN AREA.
- 2 CONTACT SOLDER TAIL KINK DIRECTION (BOARLOCK) SEE BELOW TABLE.



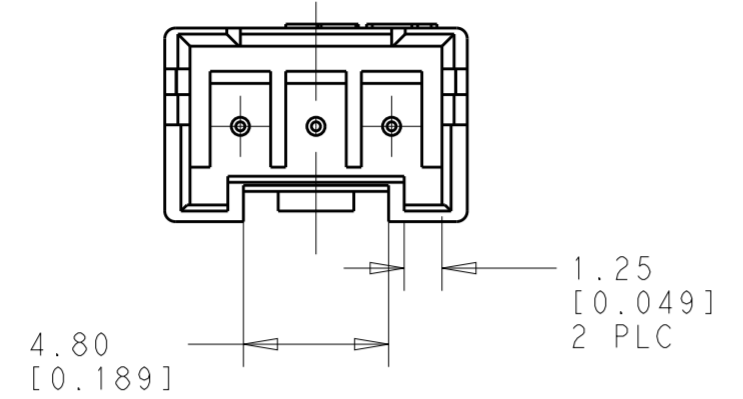
THIS DRAWING IS A CONTROLLED DOCUMENT.		DWN NAGALAKSHMI K 04 JUN 2016	TE Connectivity	
DIMENSIONS: mm [INCHES]		CHK CHIARELLI DAVIDE 04 JUN 2016		
TOLERANCES UNLESS OTHERWISE SPECIFIED:		APVD CHIARELLI DAVIDE 04 JUN 2016	NAME HEADER ASSEMBLY, VERTICAL, ECONOMY POWER, 2.5mm CENTERLINE	
0 PLC ±	±.30	PRODUCT SPEC 108-2418	SIZE A2	CAGE CODE 00779
1 PLC ±	±.20	APPLICATION SPEC 114-13315	DRAWING NO C-1969730	RESTRICTED TO -
2 PLC ±	±.20	WEIGHT -	SCALE 4:1	SHEET 1 OF 2
3 PLC ±	±.20	CUSTOMER DRAWING	REV A3	
4 PLC ±	±.20			
ANGLES ±	±3°			
FINISH -	-			

THIS DRAWING IS UNPUBLISHED. RELEASED FOR PUBLICATION
 © COPYRIGHT copyright.d8te- ALL RIGHTS RESERVED.

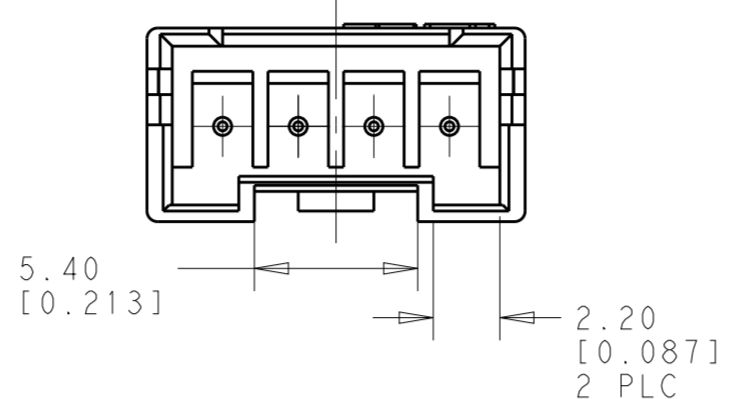
REVISIONS				
P	LTR	DESCRIPTION	DATE	APVD
-		SEE SHEET 1	-	-



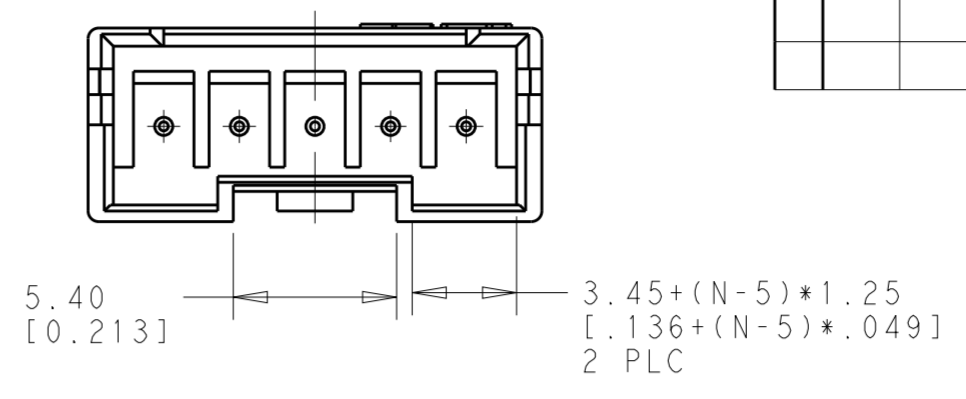
2 POSITION



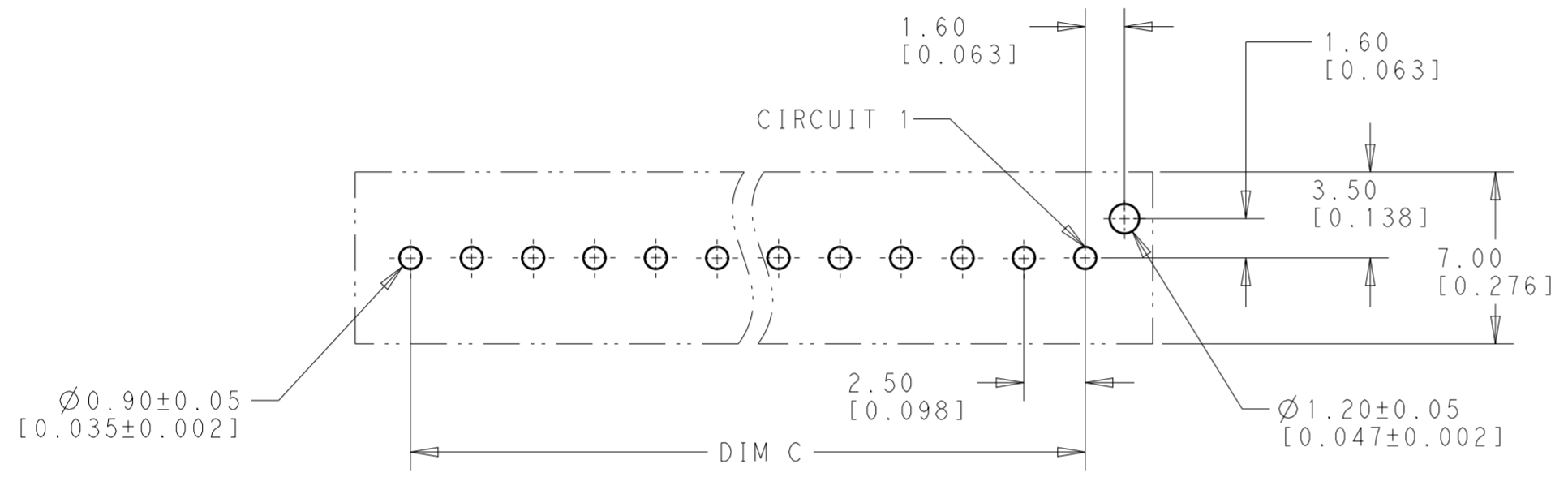
3 POSITION



4 POSITION

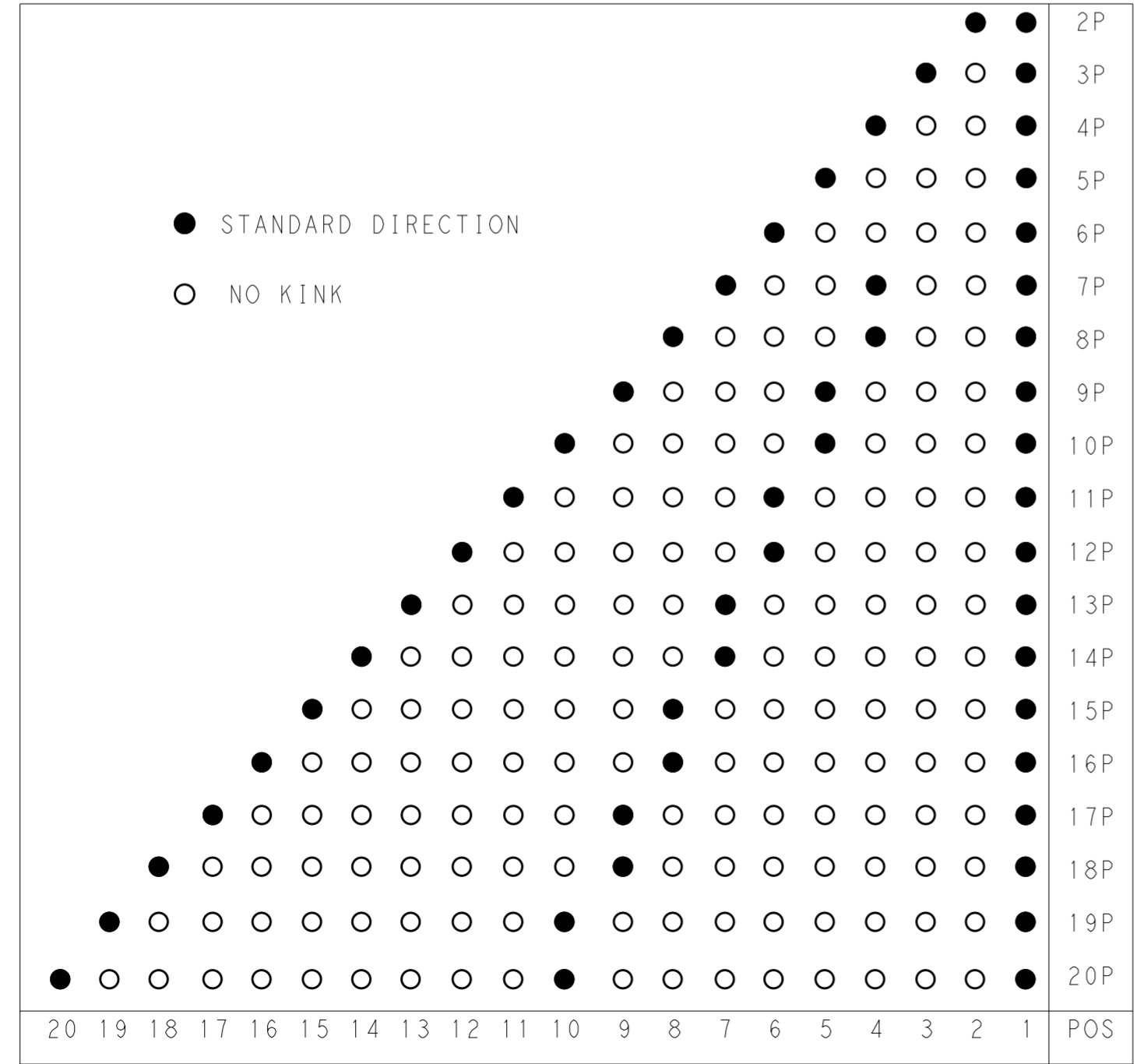


N= 5 THRU 20 POSITION



RECOMMENDED PCB LAYOUT

2



47.5 [1.870]	50.83[2.001]	52.5 [2.067]	20	2-1969730-0		
45.0 [1.772]	48.33[1.903]	50.0 [1.968]	19	1-1969730-9		
42.5 [1.673]	45.83[1.804]	47.5 [1.870]	18	1-1969730-8		
40.0 [1.575]	43.33[1.706]	45.0 [1.772]	17	1-1969730-7		
37.5 [1.476]	40.83[1.607]	42.5 [1.673]	16	1-1969730-6		
35.0 [1.378]	38.33[1.510]	40.0 [1.575]	15	1-1969730-5		
32.5 [1.280]	35.83[1.411]	37.5 [1.476]	14	1-1969730-4		
30.0 [1.181]	33.33[1.312]	35.0 [1.378]	13	1-1969730-3		
27.5 [1.083]	30.83[1.214]	32.5 [1.280]	12	1-1969730-2		
25.0 [.984]	28.33[1.115]	30.0 [1.181]	11	1-1969730-1		
22.5 [.886]	25.83[1.016]	27.5 [1.083]	10	1-1969730-0		
20.0 [.787]	23.33[.919]	25.0 [.984]	9	1969730-9		
17.5 [.689]	20.83[.820]	22.5 [.886]	8	1969730-8		
15.0 [.591]	18.33[.722]	20.0 [.787]	7	1969730-7		
12.5 [.492]	15.83[.623]	17.5 [.689]	6	1969730-6		
10.0 [.395]	13.33[.525]	15.0 [.591]	5	1969730-5		
7.5 [.295]	10.83[.426]	12.5 [.492]	4	1969730-4		
5.0 [.197]	8.33[.328]	10.0 [.395]	3	1969730-3		
2.5 [.098]	5.83[.229]	7.5 [.295]	2	1969730-2		
DIM C			DIM B	DIM A	POS	PART NO

THIS DRAWING IS A CONTROLLED DOCUMENT.

DWN: NAGALAKSHMI K. 04 JUN 2016
 CHK: CHIARELLI DAVIDE 04 JUN 2016
 APVD: CHIARELLI DAVIDE 04 JUN 2016

STE TE Connectivity

NAME: HEADER ASSEMBLY, VERTICAL, ECONOMY POWER, 2.5mm CENTERLINE

PRODUCT SPEC: 108-2418
 APPLICATION SPEC: 114-13315

MATERIAL: -
 FINISH: -

WEIGHT: -

SIZE: A2 CAGE CODE: 00779 DRAWING NO: C-1969730 RESTRICTED TO: -

CUSTOMER DRAWING SCALE: 4:1 SHEET: 2 OF 2 REV: A3

Mouser Electronics

Authorized Distributor

Click to View Pricing, Inventory, Delivery & Lifecycle Information:

[TE Connectivity:](#)

[1-1969730-8](#)