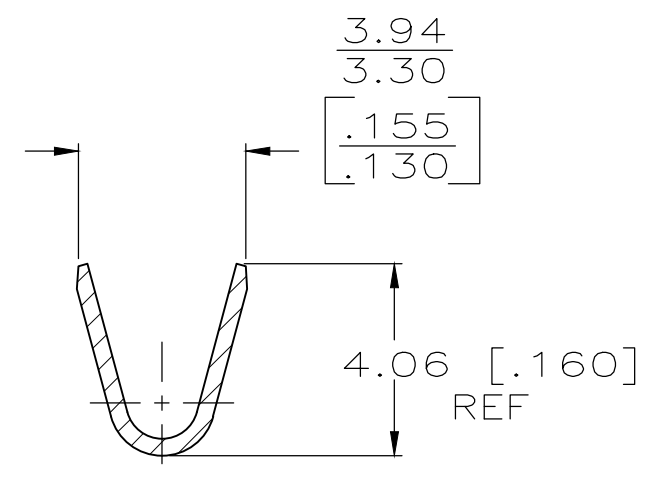
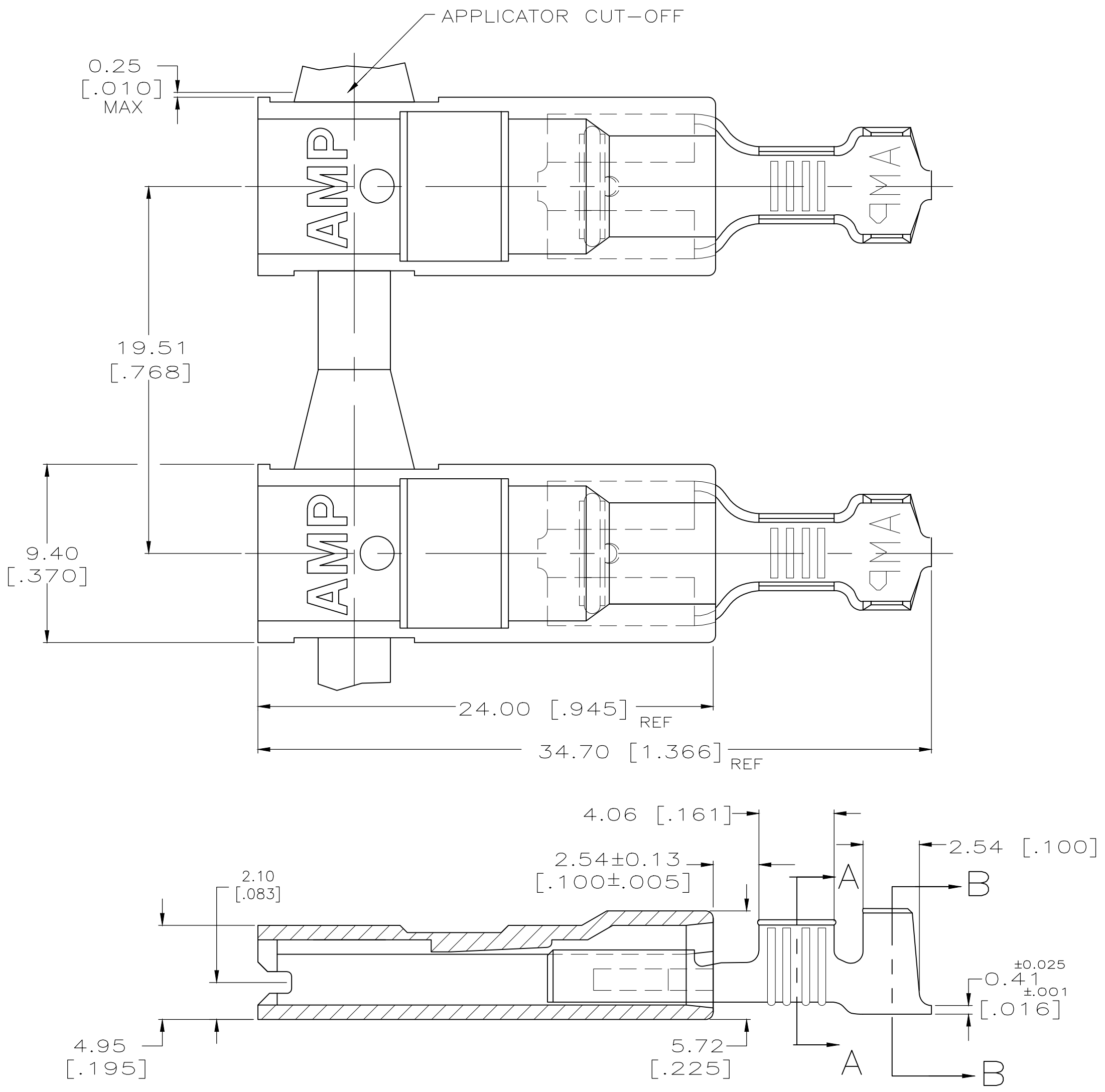


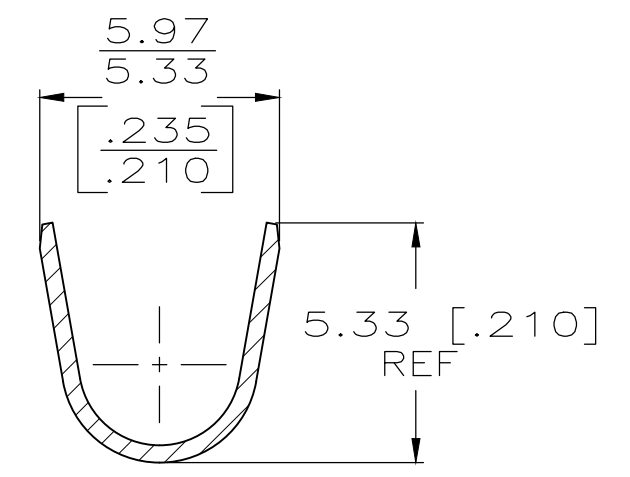
THIS DRAWING IS UNPUBLISHED. RELEASED FOR PUBLICATION  
 © COPYRIGHT - By - ALL RIGHTS RESERVED.

REVISIONS					
P	LTR	DESCRIPTION	DATE	DWN	APVD
B1		REVISED PER ECR-18-012712	16AUG2018	BDA	DS

- BUDGET LOW-INSERTION FASTON TERMINALS, BASE P/N 1742971, ARE USED IN THIS PRODUCT.
- WIRE SIZE 0.8-2.0mm [18-14] AWG
- INSULATION RANGE IS 2.79-4.32[.110-.170] DIA.
- MATING TAB THK IS 0.813±0.025[.032±.001].
- OFFERED FOR CONSIDERATION IN APPLICATIONS REQUIRING "NON-DRIP" HOUSING MATERIAL.
- OBsolete PARTS



SECTION A-A



SECTION B-B

PLAIN	66 NYLON V0 NATURAL	1-1969529-1
TIN PLATE	VO, NYLON 66, NATURAL (WHITE)	△ 1969529-2
PLAIN		1969529-1
TERMINAL	HOUSING	PART NO.

SUPERCEDED BY 1-1969529-1

THIS DRAWING IS A CONTROLLED DOCUMENT.		DWN JR RUTH 08MAY12	TE Connectivity Ltd.		
DIMENSIONS: mm [INCHES]		CHK RAY LANDON 08MAY12			
TOLERANCES UNLESS OTHERWISE SPECIFIED:		APVD RAY LANDON 08MAY12	NAME		
0 PLC ± -		PRODUCT SPEC	108-1285		
1 PLC ± -		APPLICATION SPEC	114-2124		
2 PLC ± -		WEIGHT	SIZE A2	CAGE CODE 00779	DRAWING NO C=1969529
3 PLC ± 0.25 [.010]			SCALE 5:1	SHEET 1 of 1	REV B1
4 PLC ± -			CUSTOMER DRAWING		
ANGLES ± -					
FINISH SEE TABLE					

# Mouser Electronics

Authorized Distributor

Click to View Pricing, Inventory, Delivery & Lifecycle Information:

[TE Connectivity:](#)

[1-1969529-1](#)