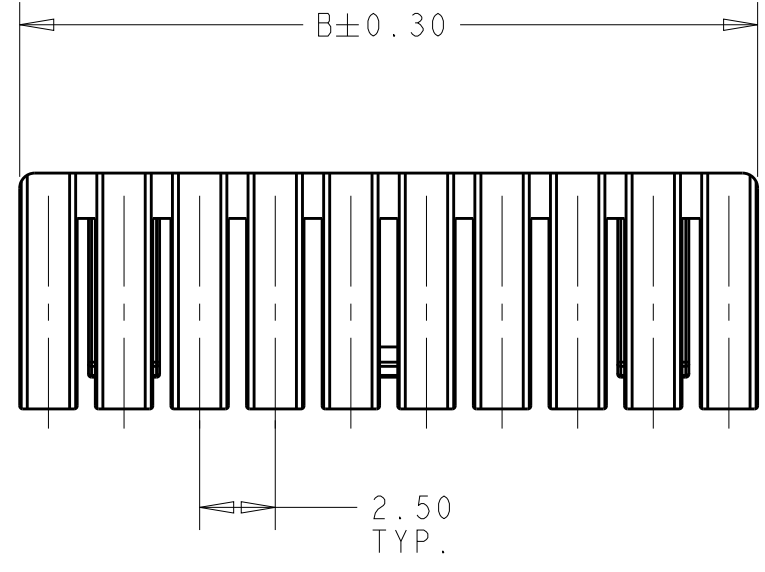


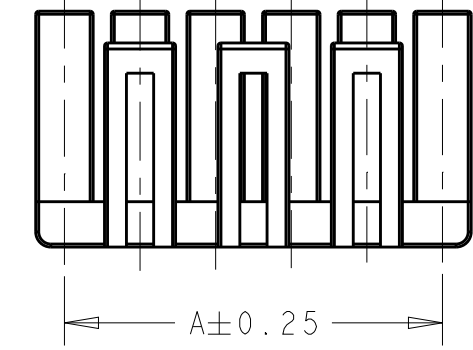
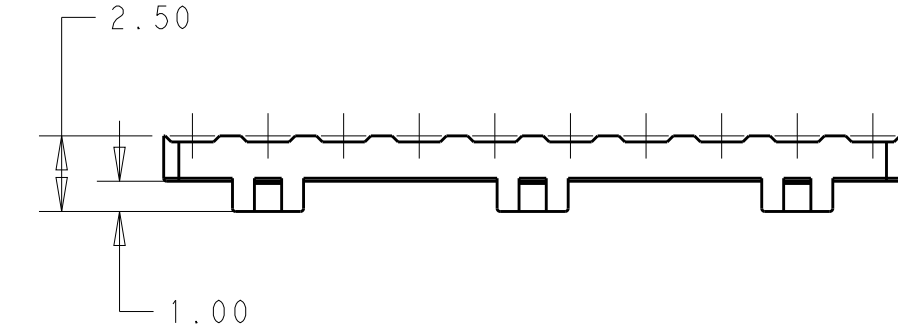
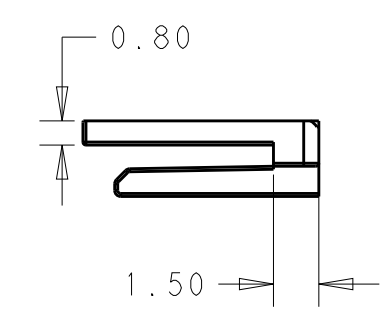
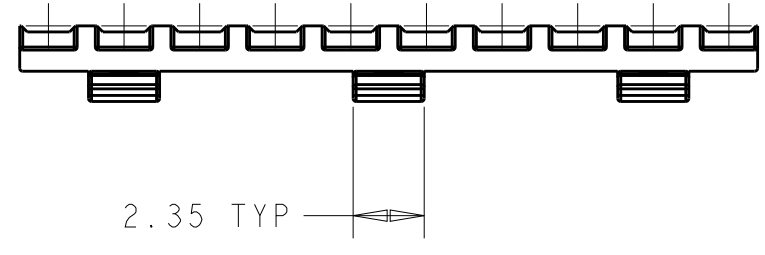
THIS DRAWING IS UNPUBLISHED. RELEASED FOR PUBLICATION
 © COPYRIGHT copyright.d8te- ALL RIGHTS RESERVED.

REVISIONS				
P	LTR	DESCRIPTION	DATE	APVD
	A3	REVISED PER ECR-18-010321	17SEP2018	WH DZ

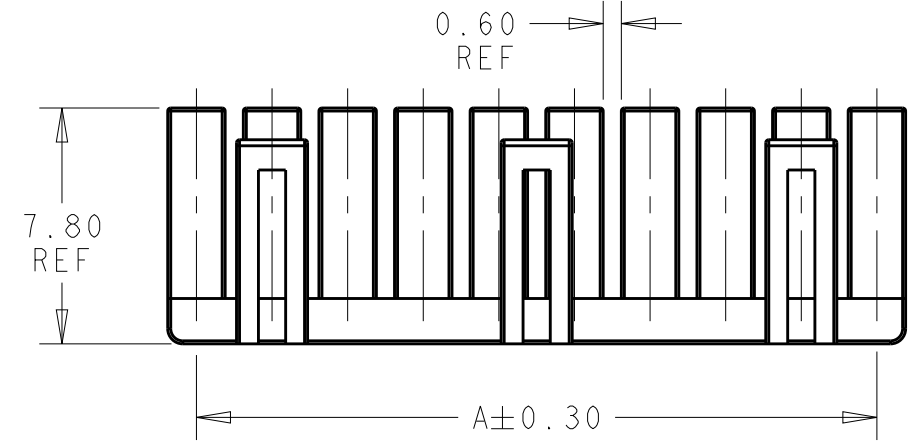


1 MATERIAL:
 HOUSING - HIGH PERFORMANCE RESIN, UL94-V0, GLASS FILLED
 COLOR - BLACK

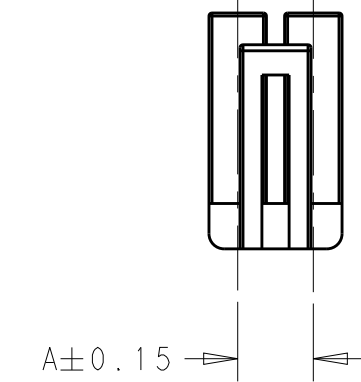
2 MATES WITH TPA HOUSING 1969442-()



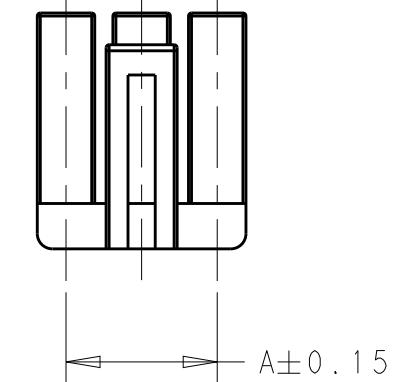
6 POSITION
 1969443-6



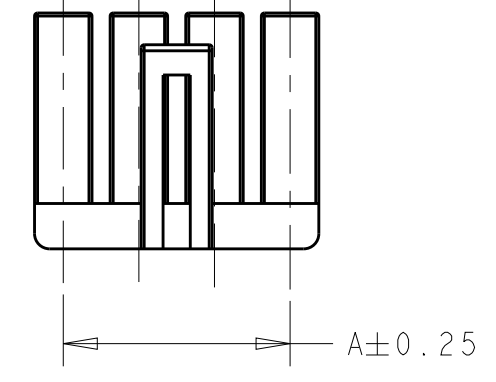
7 THRU 20 POSITION
 1969443-7 THRU -20



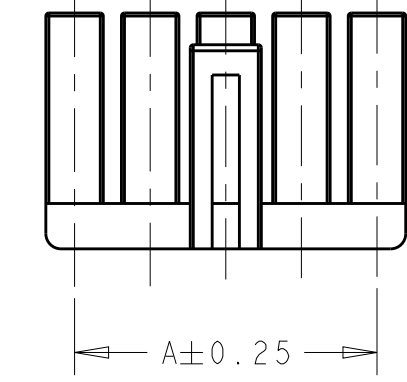
2 POSITION
 1969443-2



3 POSITION
 1969443-3

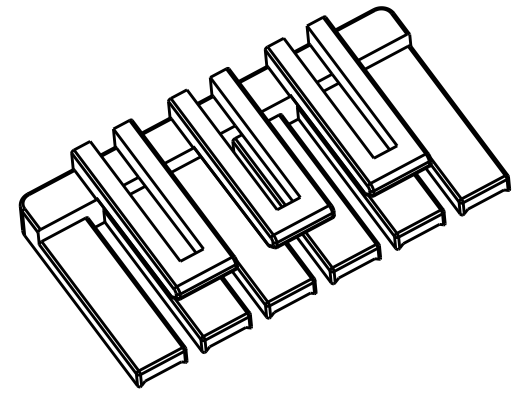


4 POSITION
 1969443-4



5 POSITION
 1969443-5

20	49.4	47.5	2-1969443-0
19	46.9	45.0	1-1969443-9
18	44.4	42.5	1-1969443-8
17	41.9	40.0	1-1969443-7
16	39.4	37.5	1-1969443-6
15	36.9	35.0	1-1969443-5
14	34.4	32.5	1-1969443-4
13	31.9	30.0	1-1969443-3
12	29.4	27.5	1-1969443-2
11	26.9	25.0	1-1969443-1
10	24.4	22.5	1-1969443-0
9	21.9	20.0	1969443-9
8	19.4	17.5	1969443-8
7	16.9	15.0	1969443-7
6	14.4	12.5	1969443-6
5	11.9	10.0	1969443-5
4	9.4	7.5	1969443-4
3	6.9	5.0	1969443-3
2	4.4	2.5	1969443-2
POS	DIM B	DIM A	PART NUMBER



THIS DRAWING IS A CONTROLLED DOCUMENT.		DWN 01 JUN 2016 NAGALAKSHMI K	TE Connectivity ECONOMY POWER 2.5 TPA RETAINER	
DIMENSIONS: mm		CHK 01 JUN 2016 CHIARELLI DAVIDE		
TOLERANCES UNLESS OTHERWISE SPECIFIED:		APVD 01 JUN 2016 CHIARELLI DAVIDE	NAME	
0 PLC ±	1 PLC ±	PRODUCT SPEC	-	
2 PLC ±0.13	3 PLC ±	108-2418	-	
4 PLC ±	ANGLES ±	APPLICATION SPEC	-	
FINISH -	FINISH -	114-13315	SIZE	CAGE CODE
1		WEIGHT -	A2	00779
CUSTOMER DRAWING		DRAWING NO		RESTRICTED TO
		C-1969443		-
		SCALE	N/A	SHEET 1 OF 1
				REV A3

Mouser Electronics

Authorized Distributor

Click to View Pricing, Inventory, Delivery & Lifecycle Information:

[TE Connectivity:](#)

[1-1969443-7](#)