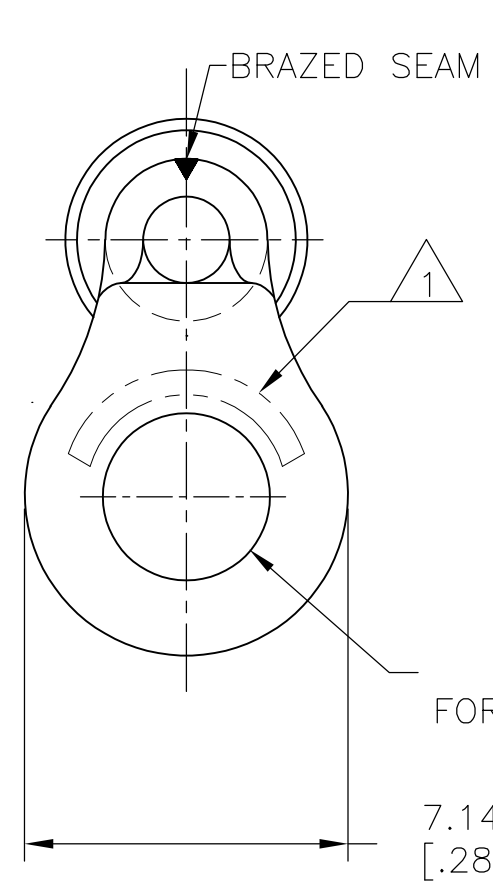
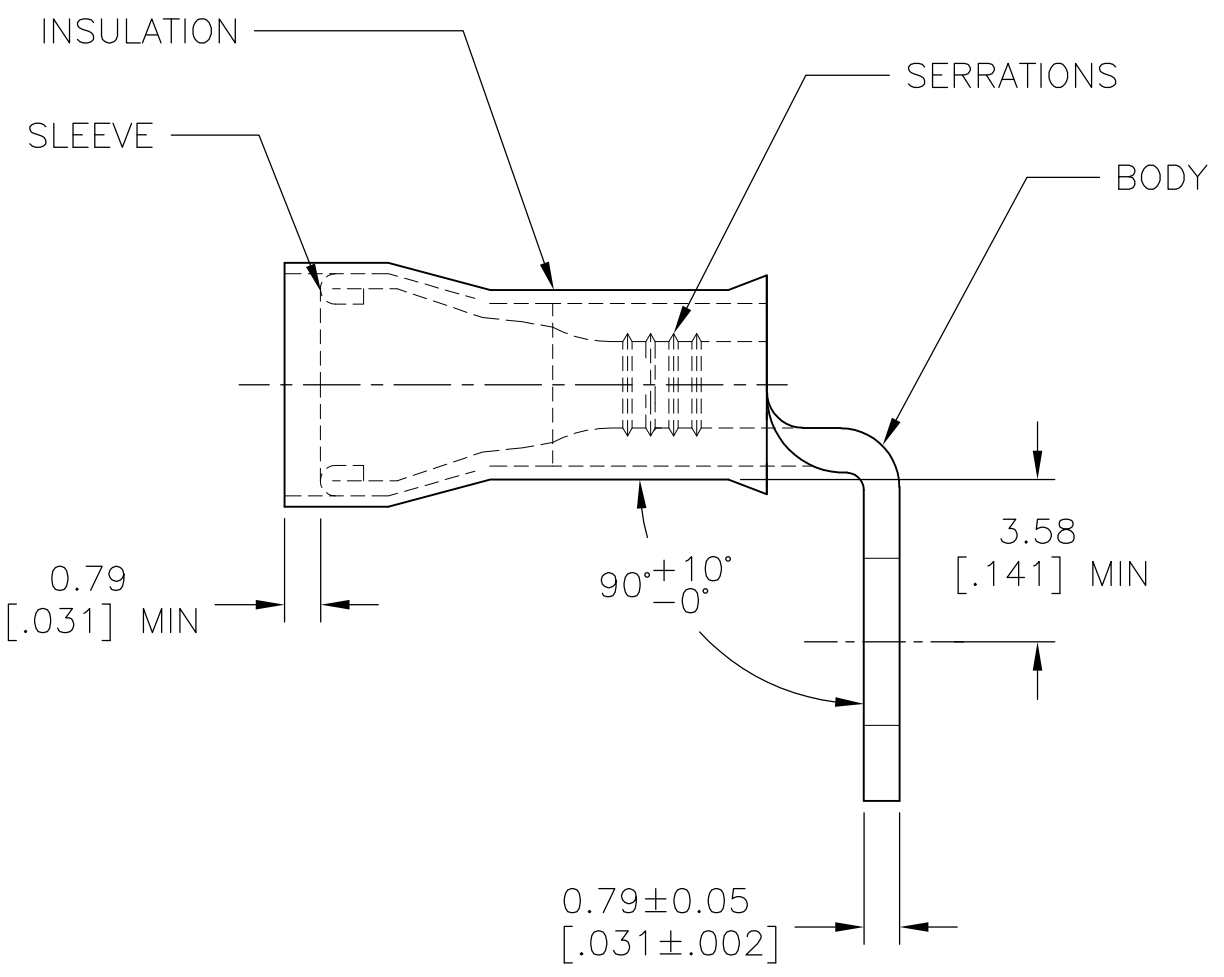


THIS DRAWING IS UNPUBLISHED. RELEASED FOR PUBLICATION
 © COPYRIGHT - By - ALL RIGHTS RESERVED.

LOC	DIST	REVISIONS			
P	LTR	DESCRIPTION	DATE	DWN	APVD
G	02	1	NEW DRAWING PER ECO-14-000577	17JAN2014	NK DR



AMP
WIRE RANGE

22-16 AWG
SOLID OR STRANDED

- 1 STAMP AMP 22-18* APPROX AS SHOWN
22-16 TERMINALS ARE STAMPED 22-18 IN ACCORDANCE WITH MILITARY SPEC SAE AS 7928
COMMERCIAL WIRE RANGE IS 22-16.
 - 2 WIRE INSUL DIA 2.67-3.56 [.105-.140].
 - 3 MATERIAL: BODY & SLEEVE CU PER ASTM B152
SLEEVE-NYLON.
 - 4 FINISH: BODY & SLEEVE- TIN PLATE 0.00254[.000100]
MIN EXT. THK PER ASTM B545
- SLEEVE: COLOR-RED.

PRELIMINARY - NOT RELEASED FOR PRODUCTION

1000	LOOSE PIECE	1958471-1
QTY	PACKAGE TYPE	PART NO

AMP INCORPORATED CUSTOMER SERVICE SYSTEMS		MAX RECOMMENDED OPERATING TEMPERATURE: 105°C [221°F] MAX
FOR ADDITIONAL PRODUCT INFORMATION OR COPIES OF DRAWINGS AND TECHNICAL DOCUMENTS	PRODUCT INFORMATION CENTER 1-800-522-6752	VOLTAGE RATING: 300V MAX
FOR APPLICATION TOOLING INFORMATION	TOOLING ASSISTANCE CENTER 1-800-722-1111	CIRCULAR MIL AREA: 0.26-1.65mm² [509-3260] SOLID OR STRANDED
FOR ORDER ENTRY	1-800-526-5142	THIS DRAWING IS A CONTROLLED DOCUMENT FOR AMP INCORPORATED. IT IS SUBJECT TO CHANGE AND THE CONTROLLING ENGINEERING ORGANIZATION SHOULD BE CONTACTED FOR THE LATEST REVISION.

THIS DRAWING IS A CONTROLLED DOCUMENT.	
DIMENSIONS: mm [INCHES]	TOLERANCES UNLESS OTHERWISE SPECIFIED:
	0 PLC ± -
	1 PLC ± -
	2 PLC ± -
	3 PLC ± .008
	4 PLC ± -
	ANGLES ± 5°
MATERIAL	FINISH
3	4

DWN NAGALAKSHMI K 17JAN2014	STE TE Connectivity
CHK ROHDE DANIEL 17JAN2014	
APVD ROHDE DANIEL 17JAN2014	
NAME TERMINAL, P.I.D.G., R 22-16 #6 90DEG BRAZED SEAM	
PRODUCT SPEC	SIZE A3
APPLICATION SPEC	CAGE CODE 00779
WEIGHT	DRAWING NO C-1958471
CUSTOMER DRAWING	RESTRICTED TO
SCALE 6:1	SHEET 1 OF 1
REV 1	

Mouser Electronics

Authorized Distributor

Click to View Pricing, Inventory, Delivery & Lifecycle Information:

[TE Connectivity:](#)

[1958471-1](#)