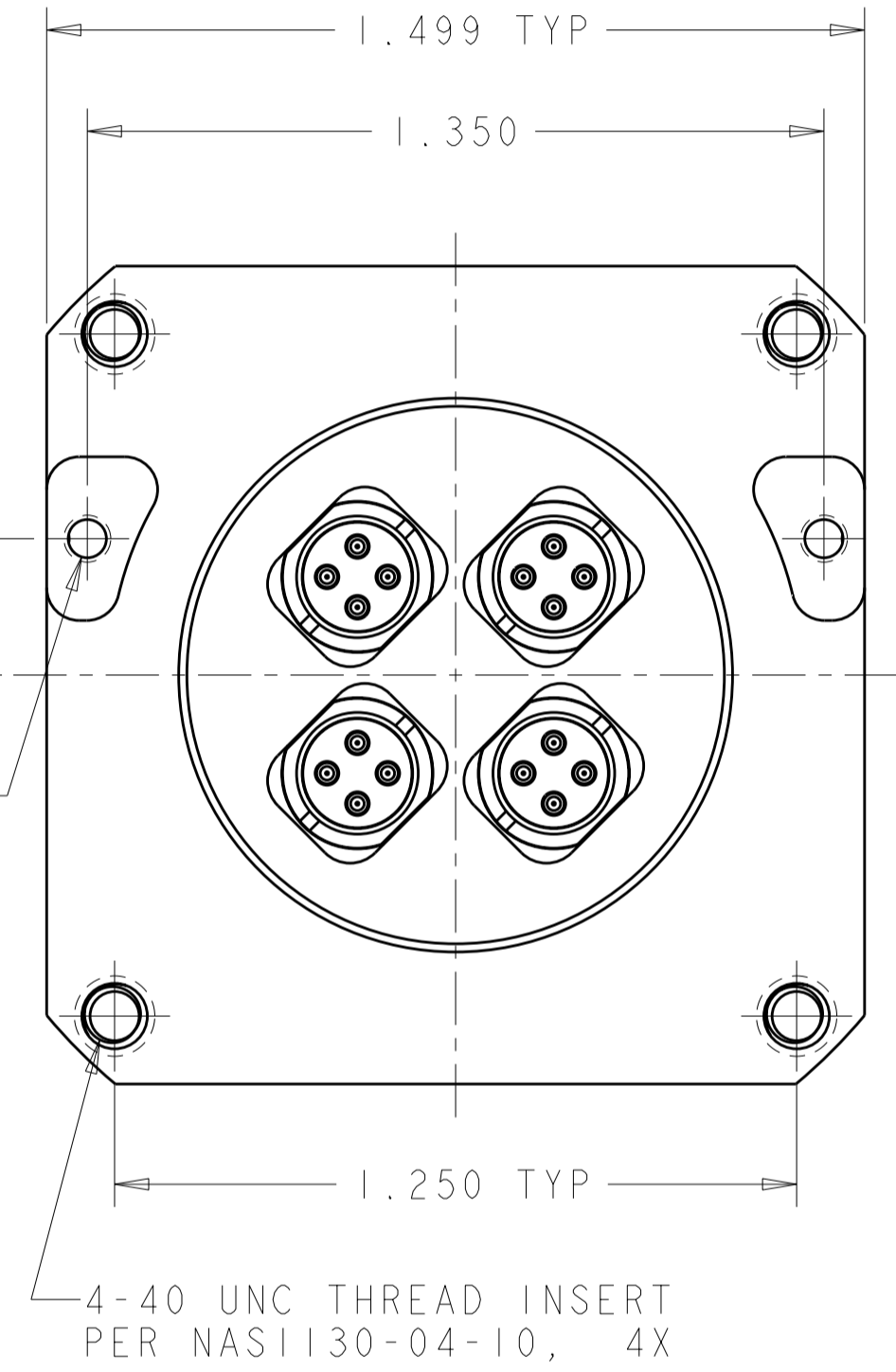
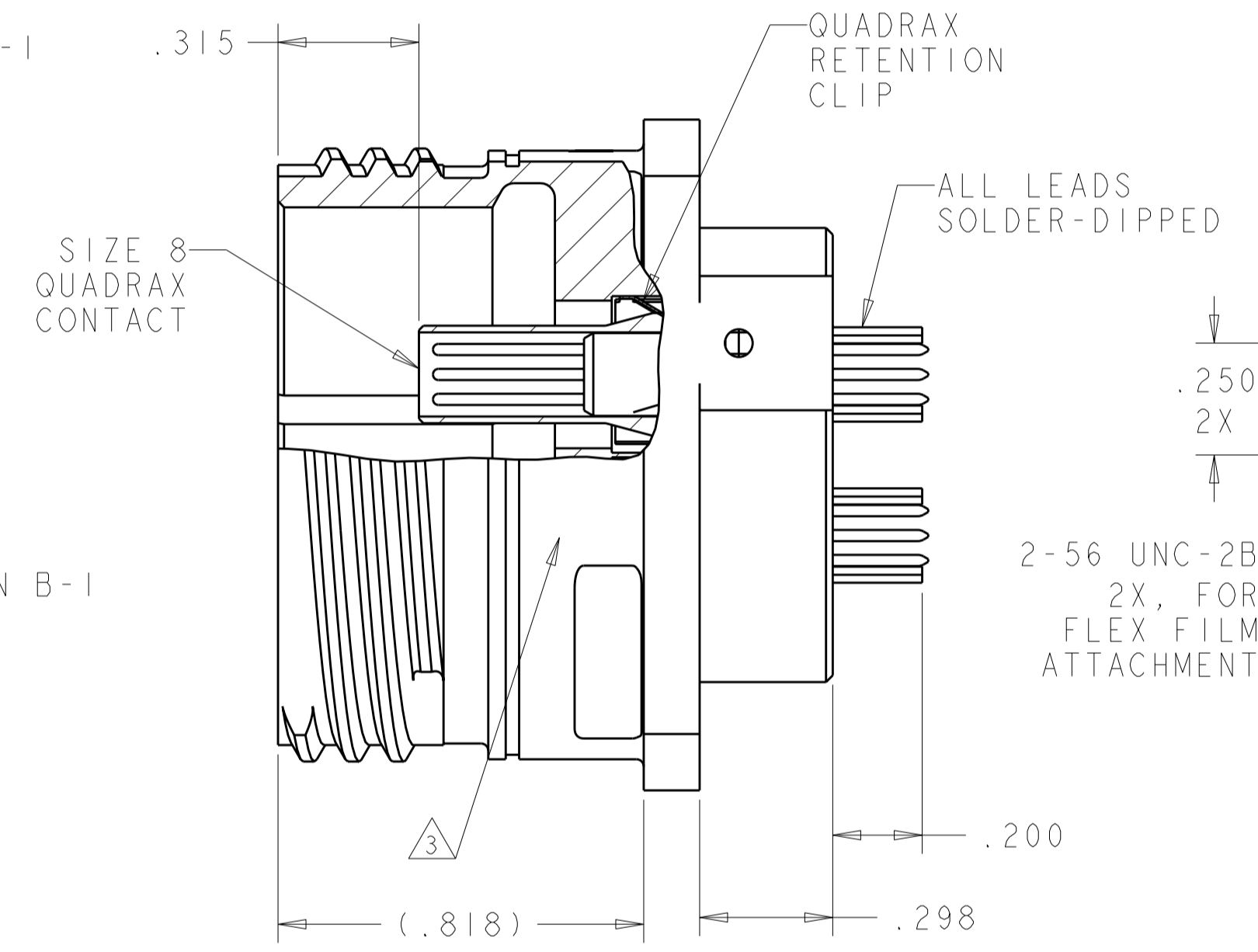
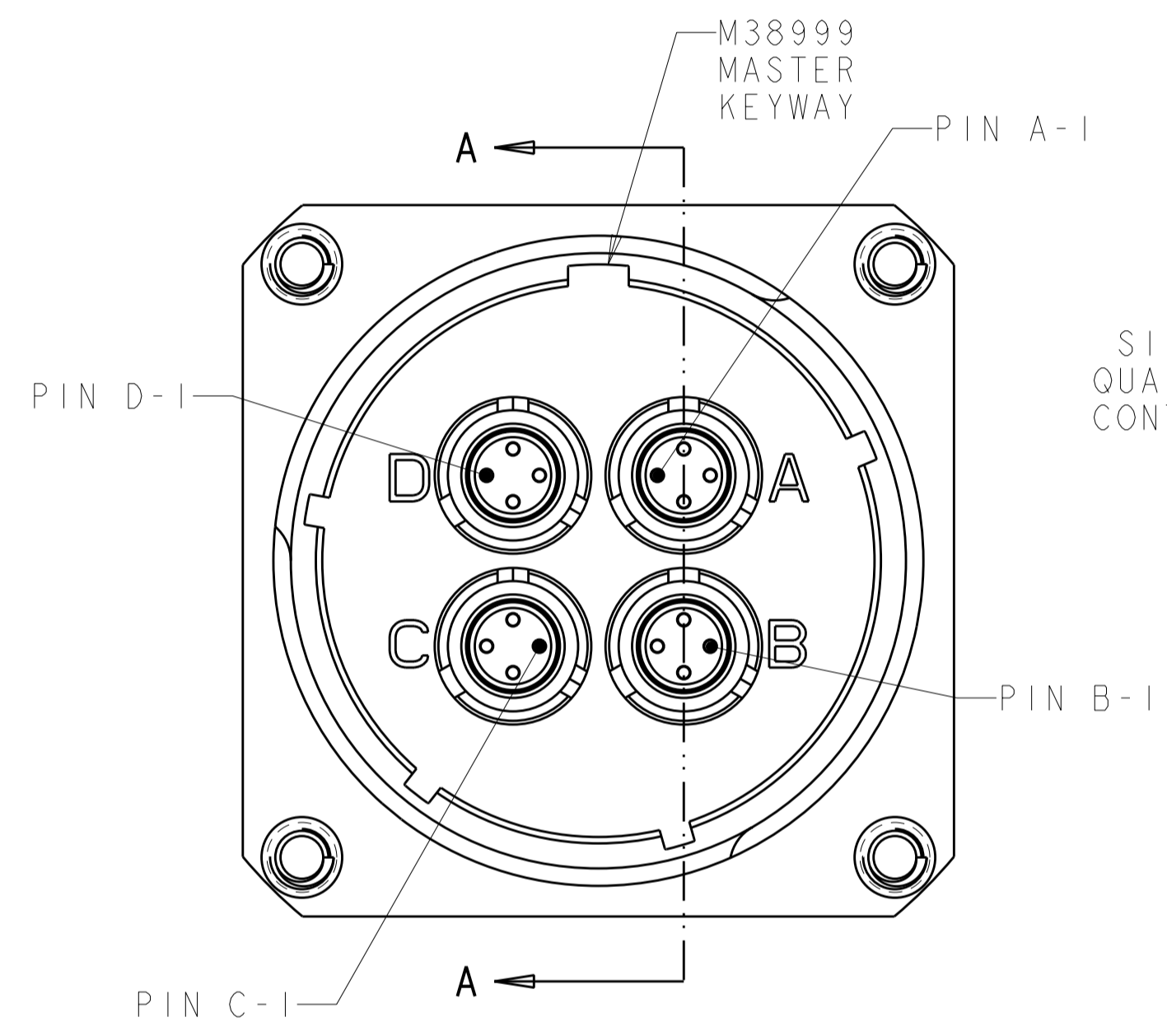


THIS DRAWING IS UNPUBLISHED. RELEASED FOR PUBLICATION 20
 © COPYRIGHT 20 BY - ALL RIGHTS RESERVED.

REVISIONS							
LOC	DIST	P	LTR	DESCRIPTION	DATE	DWN	APVD
-	-	E		REV PER ECO 12-009143	6-1-12	CT	DM

1. MATERIAL AND FINISH:\
 CONNECTOR SHELL: NICKEL PLATED ALUMINUM
 QUADRAX RETENTION CLIP: SILVER PLATED STAINLESS STEEL
 QUADRAX CONNECTOR: GOLD PLATED COPPER ALLOY AND BRASS, AND THERMOPLASTIC
 PERIPHERAL SEAL: FLUOROSILICONE RUBBER
2. OPERATING TEMPERATURE RANGE:
 -65°C TO +125°C (-85°F TO +257°F)
3. TE PART NUMBER, (00779), DATE CODE AND TE LOGO OR TE MARKED IN APPROXIMATE AREA SHOWN.



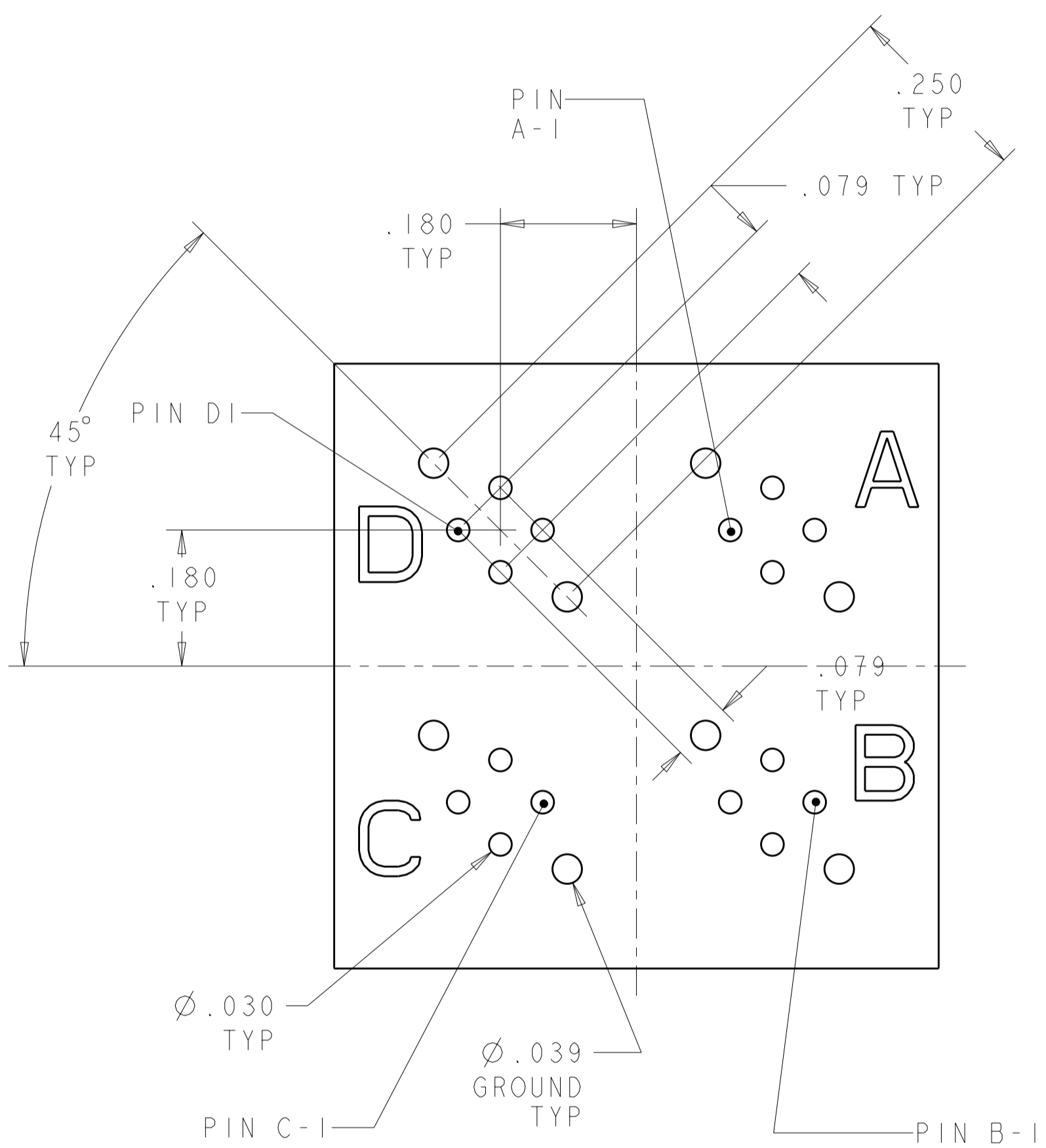
SECTION A-A

OLIVE DRAB	B	1954353-9
OLIVE DRAB	A	1954353-8
OLIVE DRAB	N	1954353-7
NICKEL	B	1954353-3
NICKEL	A	1954353-2
NICKEL	N	1954353-1
SHELL FINISH	M38999 KEY POLARIZATION	PART NUMBER

THIS DRAWING IS A CONTROLLED DOCUMENT.		DWN R FLAIG 24AUG2006	STE TE Connectivity	
DIMENSIONS: INCHES		CHK L OH 24AUG2006		
TOLERANCES UNLESS OTHERWISE SPECIFIED:		APVD L OH 24AUG2006	NAME ASSY, RECEP, PCB, KIT, SIZE 21, 404, M38999 STYLE, SERIES III	
0 PLC ±-		PRODUCT SPEC	SIZE	
1 PLC ±.01		APPLICATION SPEC	CAGE CODE	
2 PLC ±.005		WEIGHT	DRAWING NO	
3 PLC ±.0020		CUSTOMER DRAWING	RESTRICTED TO	
4 PLC ±1°		SCALE 3:1	SHEET 1 OF 2	
ANGLES FINISH		REV E		

THIS DRAWING IS UNPUBLISHED. RELEASED FOR PUBLICATION 20
 © COPYRIGHT 20 BY - ALL RIGHTS RESERVED.

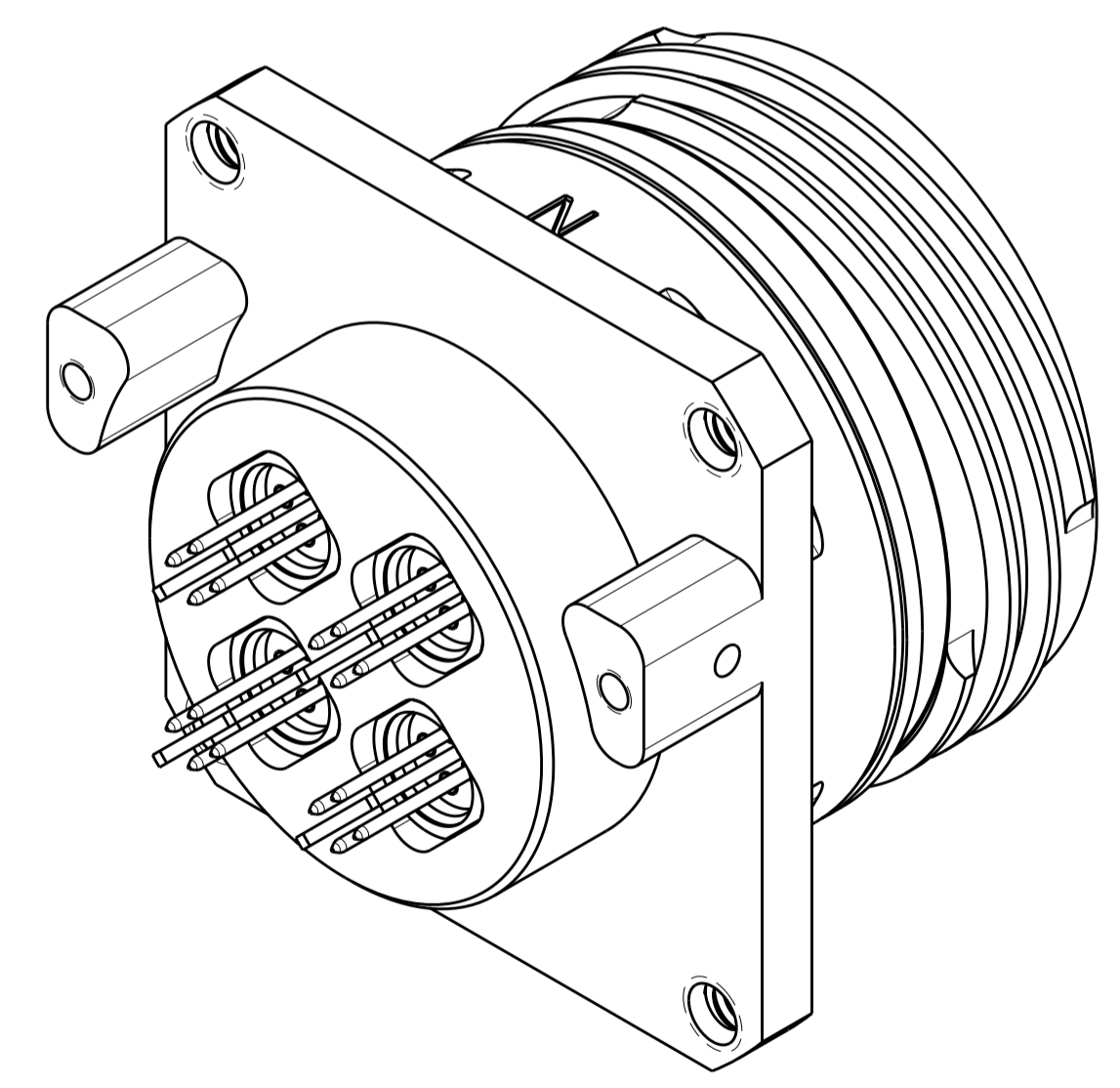
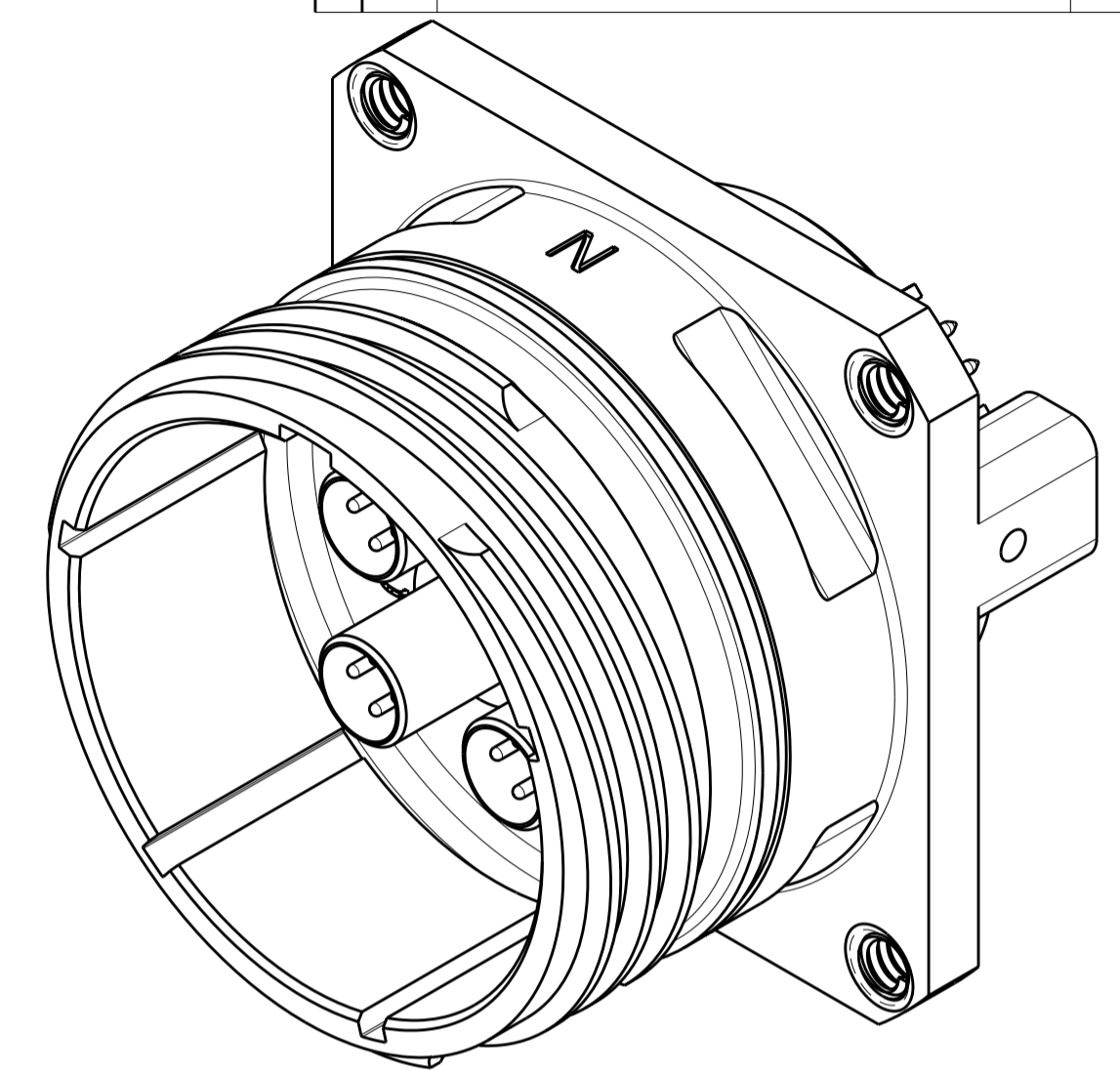
LOC	DIST	REVISIONS			
P	LTR	DESCRIPTION	DATE	DWN	APVD
-	-	SEE SHEET 1	-	-	-



PCB LAYOUT
CONNECTOR SIDE

PIN NUMBER	SIGNAL ALLOCATION
1	Tx+
2	Rx+
3	Tx-
4	Rx-

PIN LOCATIONS GO CLOCKWISE FROM POSITION 1



THIS DRAWING IS A CONTROLLED DOCUMENT.		DWN R FLAIG 24AUG2006	TE Connectivity	
DIMENSIONS: INCHES		CHK L OH 24AUG2006		
TOLERANCES UNLESS OTHERWISE SPECIFIED:		APVD L OH 24AUG2006	NAME ASSY, RECEP, PCB, KIT, SIZE 21, 404, M38999 STYLE, SERIES III	
0 PLC ±- 1 PLC ±- 2 PLC ±.01 3 PLC ±.005 4 PLC ±.0020 ANGLES ±1° FINISH		PRODUCT SPEC -	SIZE A200779	CAGE CODE C-1954353
MATERIAL -		APPLICATION SPEC -	WEIGHT -	RESTRICTED TO -
		CUSTOMER DRAWING	SCALE 3:1	SHEET 2 OF 2
				REV E

Mouser Electronics

Authorized Distributor

Click to View Pricing, Inventory, Delivery & Lifecycle Information:

[TE Connectivity:](#)

[1954353-3](#)