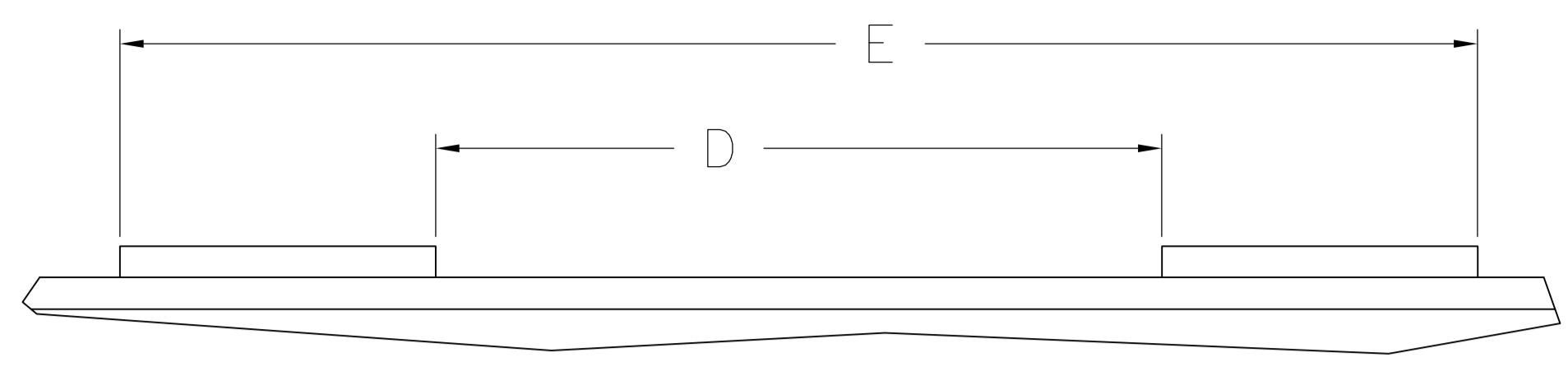
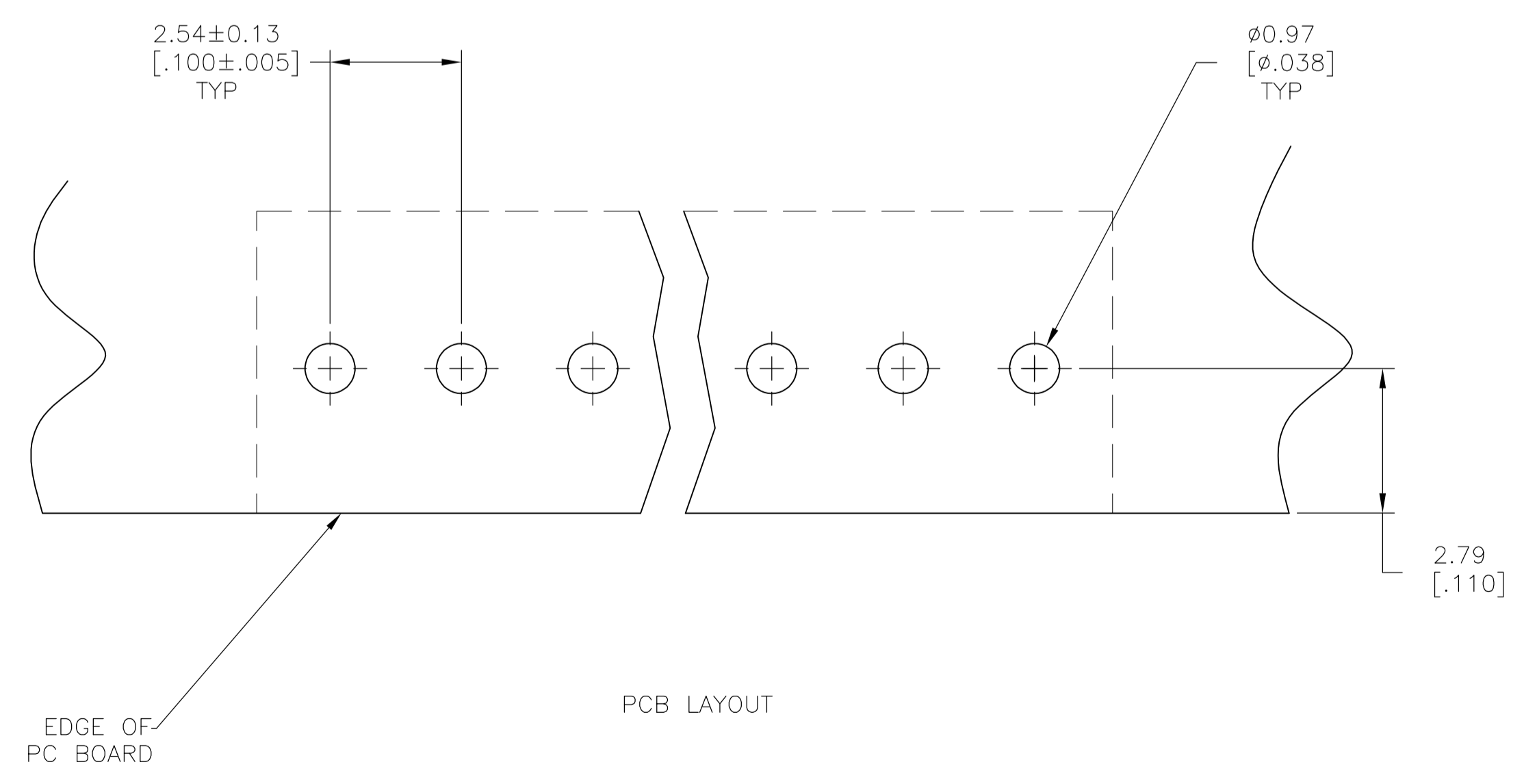
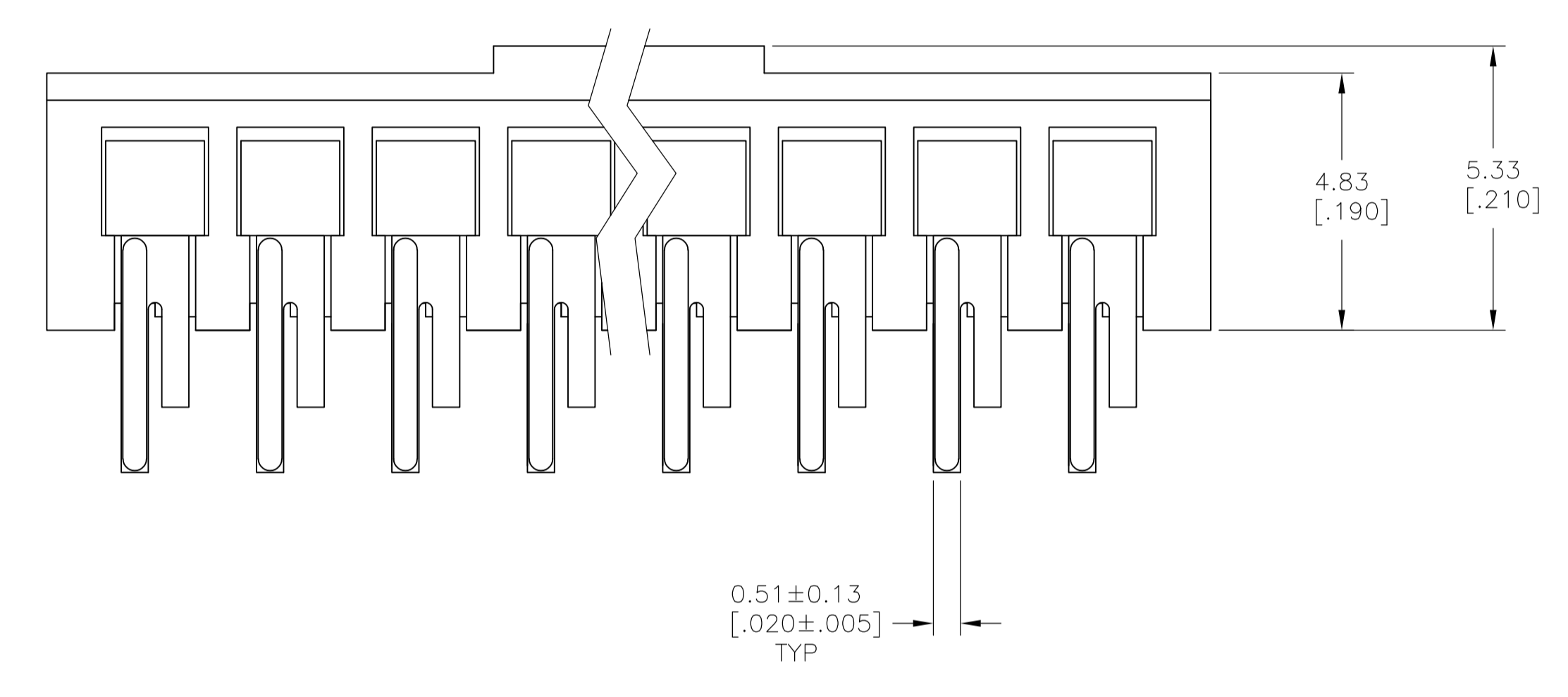
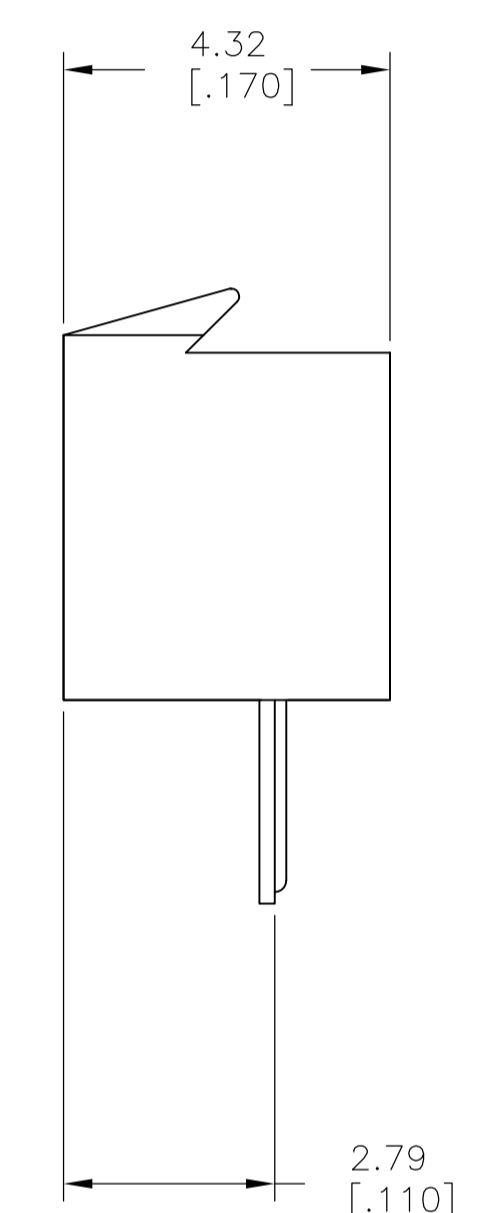
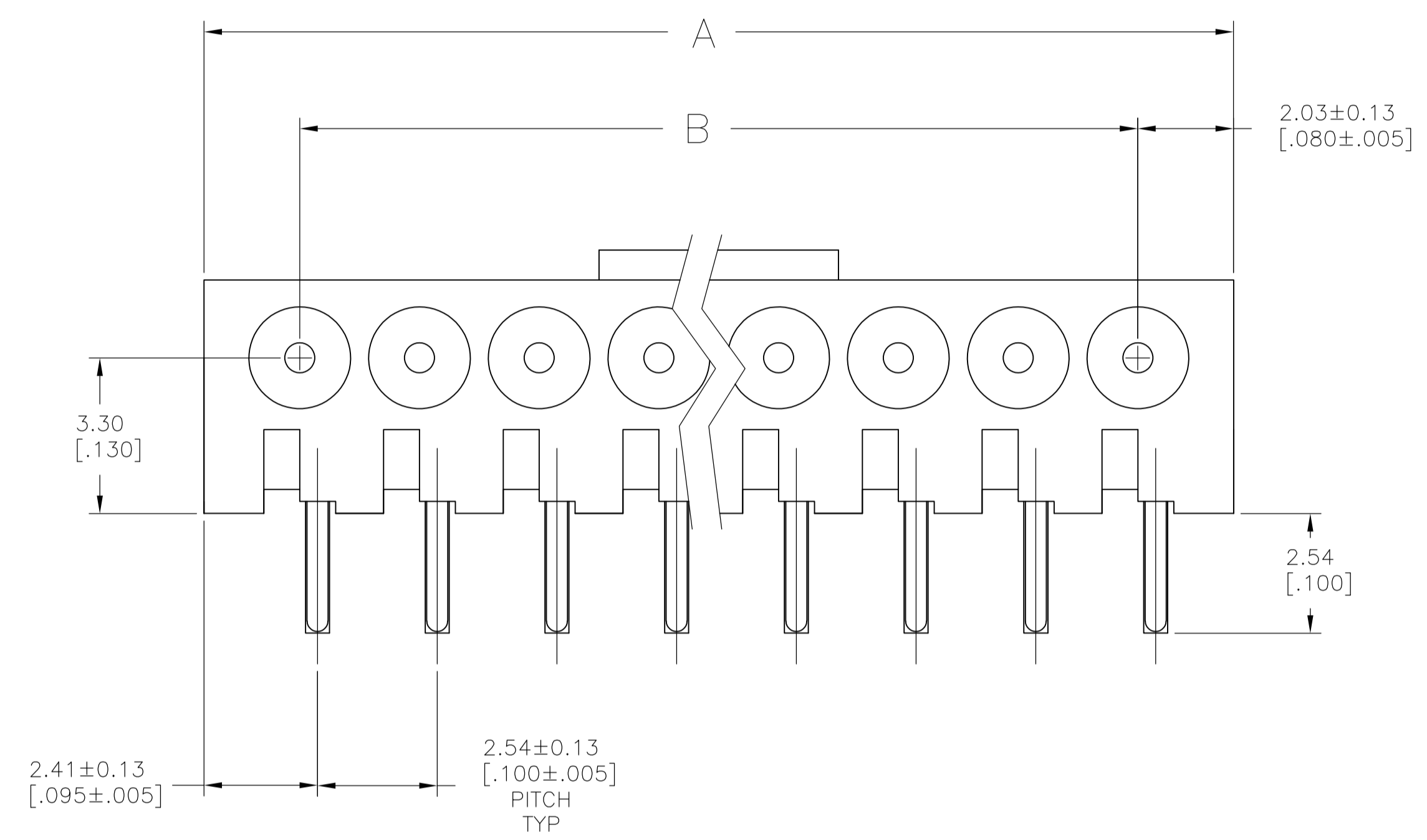


SINGLE LATCH



DUAL LATCH

- 1 MATERIAL:
HOUSING: 30% GF POLYESTER, COLOR: BLUE.
CONTACTS: COPPER ALLOY
- 2 FINISH: 2.54 μ m [.000100] MIN THICK MATTE TIN OVER
2.54 μ m [.000100] MIN THICK NICKEL UNDERPLATE.
- 3. PACKAGED IN TUBES



PCB LAYOUT

| | | | | | | | |
|---------------|---------------|--------------|---------------|---------------|------------|------------------------|----------------|
| 42.16 (1.660) | 32.00 (1.260) | N/A | 58.42 (2.300) | 62.48 (2.460) | 24 | FHS-24LF | 1888290-9 |
| 32.00 (1.260) | 21.84 (0.860) | N/A | 48.26 (1.900) | 52.32 (2.060) | 20 | FHS-20LF | 1888290-8 |
| 32.00 (1.260) | 21.84 (0.860) | N/A | 43.18 (1.700) | 47.25 (1.860) | 18 | FHS-18LF | 1888290-7 |
| 21.84 (0.860) | 11.68 (0.460) | N/A | 38.10 (1.500) | 42.16 (1.660) | 16 | FHS-16LF | 1888290-6 |
| 21.84 (0.860) | 11.68 (0.460) | N/A | 33.02 (1.300) | 37.08 (1.460) | 14 | FHS-14LF | 1888290-5 |
| | | | 27.94 (1.100) | 32.00 (1.260) | 12 | FHS-12LF | 1888290-4 |
| N/A | N/A | 7.62 (0.300) | 22.86 (0.900) | 26.92 (1.060) | 10 | FHS-10LF | 1888290-3 |
| N/A | N/A | 7.62 (0.300) | 20.32 (0.800) | 24.38 (0.960) | 9 | FHS-09LF | 1888290-2 |
| N/A | N/A | 5.08 (0.200) | 17.78 (0.700) | 21.84 (0.860) | 8 | FHS-08LF | 1888290-1 |
| E | D | C | B | A | NO OF POSN | T&B CATALOG NUMBER REF | TE PART NUMBER |

OBSOLETE

THIS DRAWING IS A CONTROLLED DOCUMENT.

| | | | |
|-------------|--|------------------|-------------------------------|
| DIMENSIONS: | TOLERANCES UNLESS OTHERWISE SPECIFIED: | DIN D1 MCMMASTER | 06JUN06 |
| mm [INCHES] | 0 PLC ± - | CJK D GORENC | 06JUN06 |
| | 1 PLC ± - | D GORENC | 06JUN06 |
| | 2 PLC ± ±.25[.010] | NAME | |
| | 3 PLC ± - | PRODUCT SPEC | |
| | 4 PLC ± - | APPLICATION SPEC | |
| | ANGLES ± - | SIZE | CAGE CODE DRAWING NO |
| MATERIAL | FINISH | WEIGHT | A1 00779 C=1888290 |
| | | CUSTOMER DRAWING | SCALE 10:1 SHEET 1 OF 1 REV C |

STE TE Connectivity

ASSEMBLY, RIGHT ANGLE SOCKET CONNECTOR

Mouser Electronics

Authorized Distributor

Click to View Pricing, Inventory, Delivery & Lifecycle Information:

[TE Connectivity:](#)

[1888290-6](#)