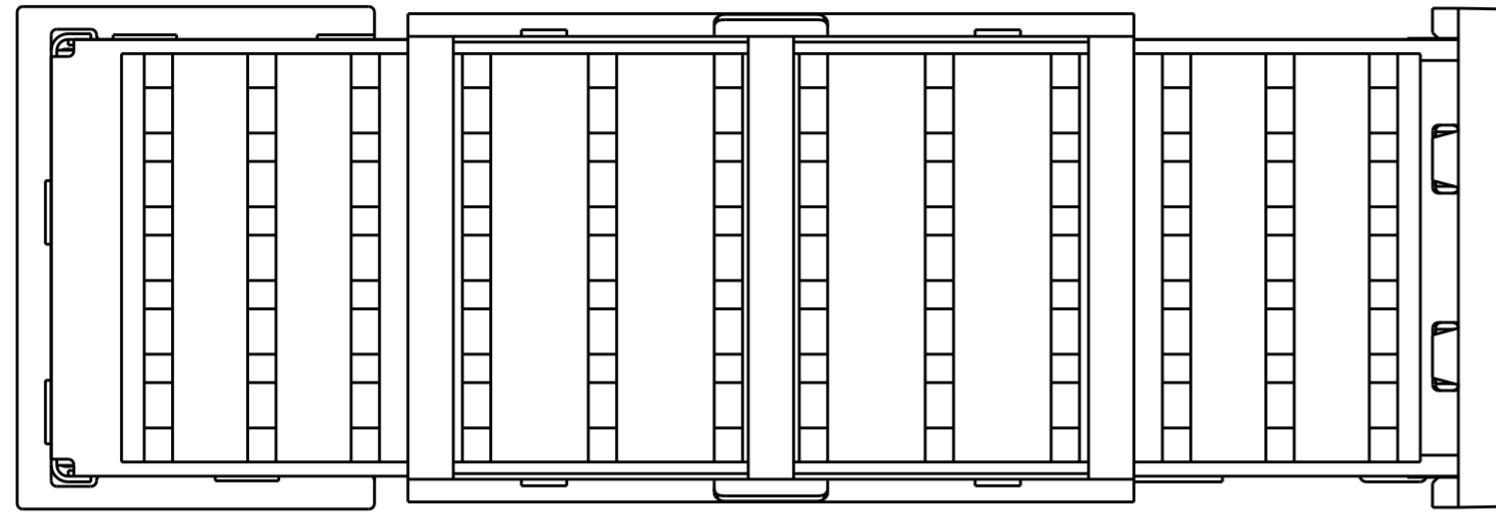
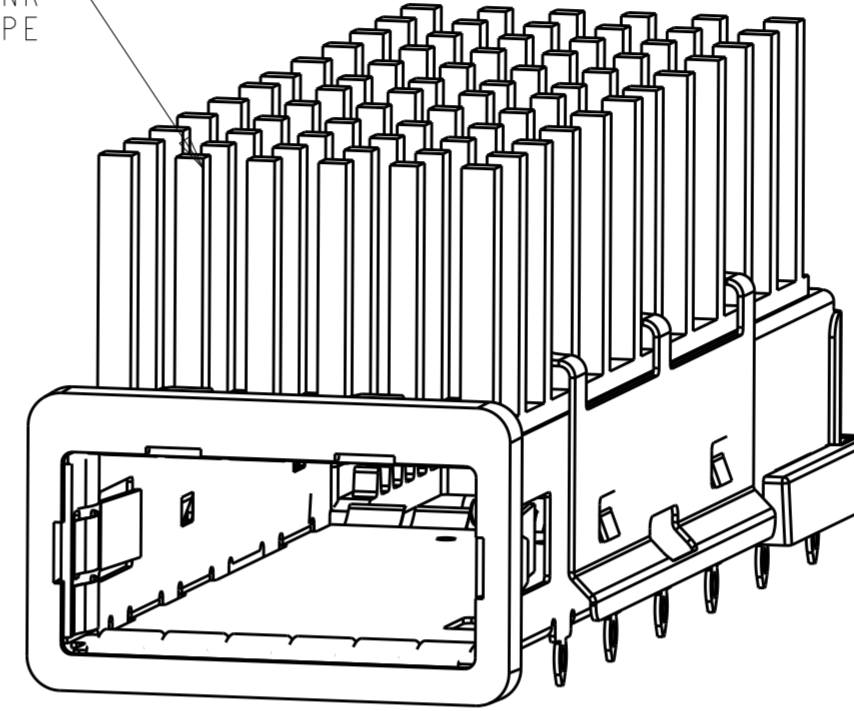


THIS DRAWING IS UNPUBLISHED. RELEASED FOR PUBLICATION 20
 © COPYRIGHT 20 BY - ALL RIGHTS RESERVED.

LOC	DIST	REVISIONS					
GP	00	P	LTR	DESCRIPTION	DATE	DWN	APVD
		D	I	REVISED PER ECR-17-012071	17AUG2017	IT	SH
		E		REVISED PER ECO-19-018836	12OCT2019	JY	SH

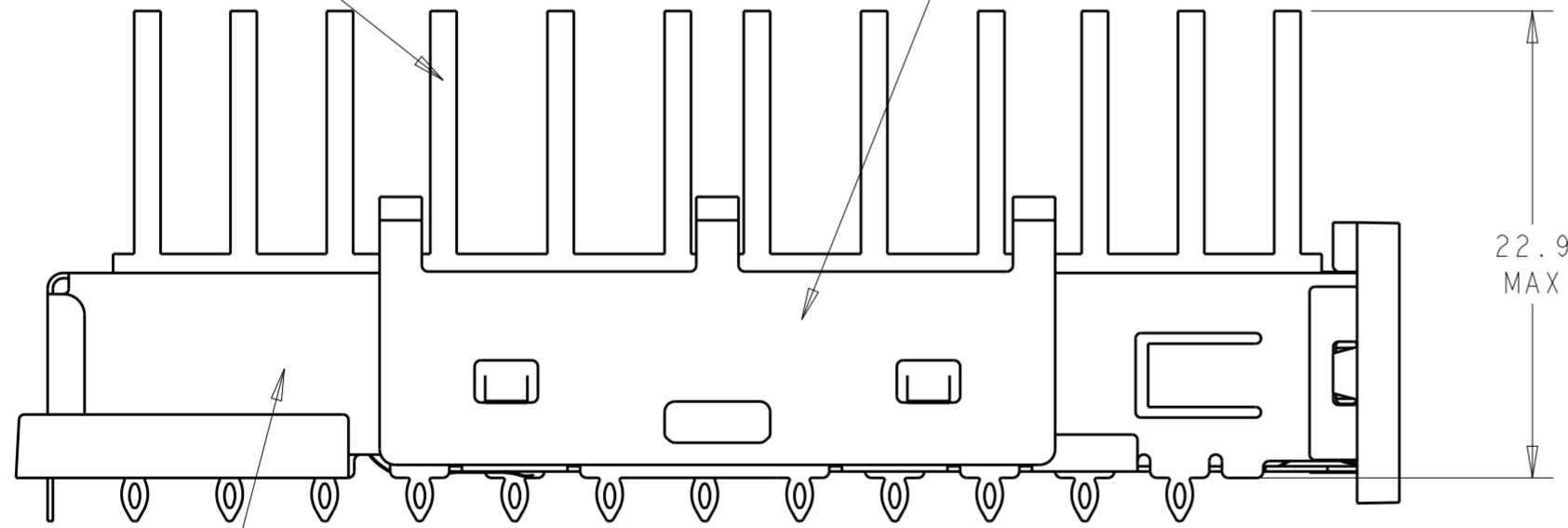


XFP HEAT SINK
PIN TYPE

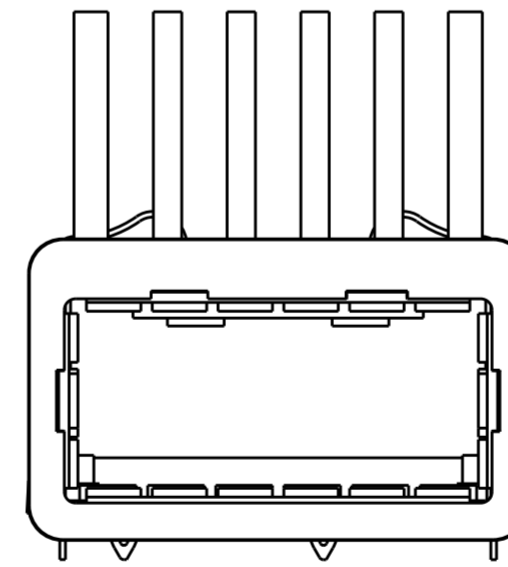


1888065-1
SCALE 3:1

XFP HEAT SINK XFP HEAT SINK CLIP



XFP CAGE ASSEMBLY



NOTE

- MATES WITH XFP MSA COMPLIANT TRANSCEIVERS.
- SEE COMPONENT DRAWINGS FOR COMPONENT DIMENSIONS AND INFORMATION.

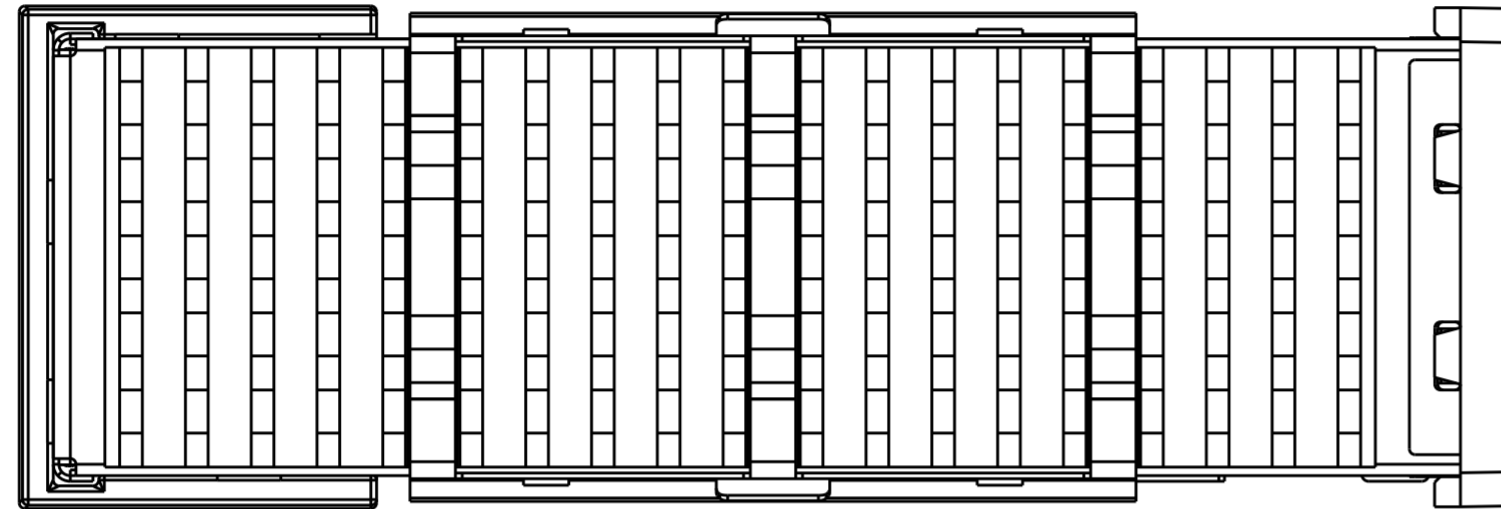
ANODIZE BLACK	2363937-2	1489948-2	1489951-1	CUSTOMIZED	1888065-3
ANODIZE BLACK	2170391-2	1489948-2	1489951-1	NETWORKING	1888065-2
NICKEL PLATING	1542706-3	1489948-2	1489951-1	NETWORKING	1888065-1
HEAT SINK FINISH	HEAT SINK PART NUMBER	HEAT SINK CLIP PART NUMBER	CAGE ASSEMBLY PART NUMBER	APPLICATION	PART NUMBER

THIS DRAWING IS A CONTROLLED DOCUMENT.

DIMENSIONS: mm	TOLERANCES UNLESS OTHERWISE SPECIFIED:	DWN B. MCMMASTER 24MAY06	TE Connectivity
	0 PLC ±	CHK J. KOPPENHEFFER 24MAY06	
	1 PLC ±	APVD J. KOPPENHEFFER 24MAY06	
	2 PLC ±	NAME XFP KIT ASSEMBLY	
	3 PLC ±	PRODUCT SPEC 108-2127	
MATERIAL	4 PLC ±	APPLICATION SPEC 114-13096	SIZE CAGE CODE DRAWING NO RESTRICTED TO
	ANGLES ±	WEIGHT -	A200779 C-1888065
	FINISH	CUSTOMER DRAWING	SCALE 3:1 SHEET 1 OF 3 REV E

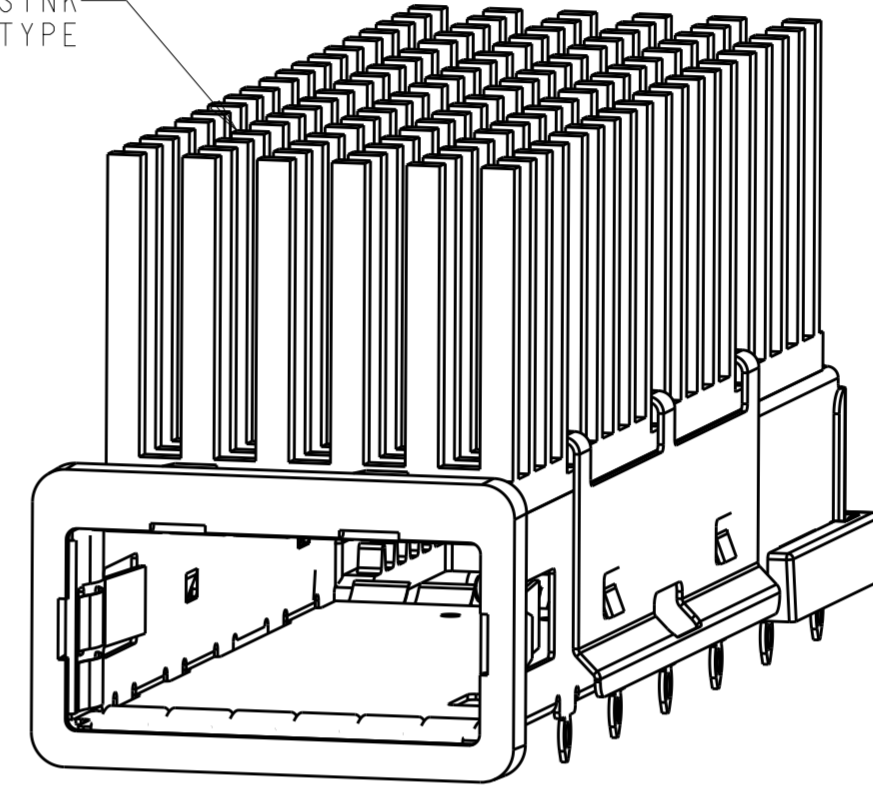
THIS DRAWING IS UNPUBLISHED. RELEASED FOR PUBLICATION 20
 © COPYRIGHT 20 BY - ALL RIGHTS RESERVED.

LOC	DIST	REVISIONS			
P	LTR	DESCRIPTION	DATE	DWN	APVD
GP	00	-	SEE SHEET 1	-	-

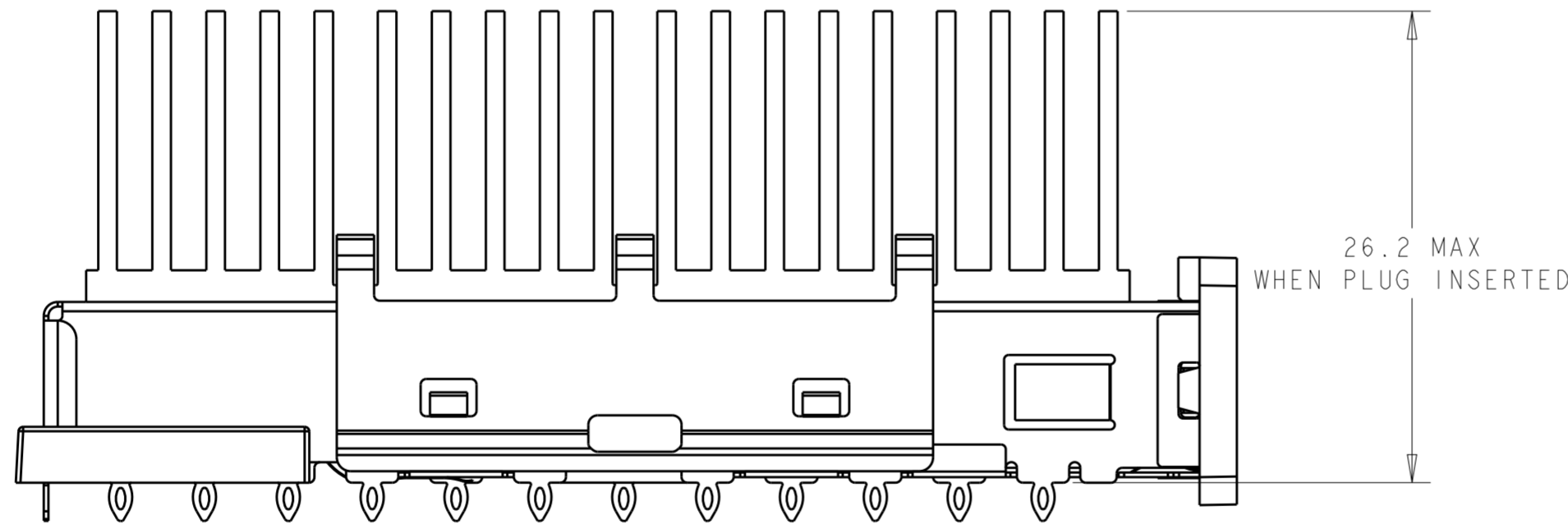


SCALE 3:1

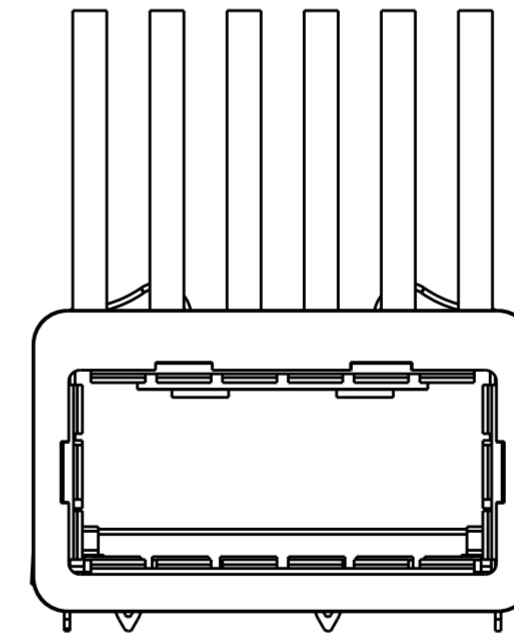
XFP HEAT SINK
PIN TYPE



1888065-3
SCALE 3:1



26.2 MAX
WHEN PLUG INSERTED



THIS DRAWING IS A CONTROLLED DOCUMENT.		DWN B. MCMASTER	24MAY06	STE TE Connectivity
DIMENSIONS:		CHK J. KOPPENHEFFER	24MAY06	
mm		APVD J. KOPPENHEFFER	24MAY06	
TOLERANCES UNLESS OTHERWISE SPECIFIED:		PRODUCT SPEC		
0 PLC ±		108-2127		NAME XFP KIT ASSEMBLY
1 PLC ±		114-13096		SIZE CAGE CODE DRAWING NO
2 PLC ±				A200779 C-1888065
3 PLC ±				RESTRICTED TO
4 PLC ±				
ANGLES ±				
FINISH				
MATERIAL		WEIGHT		SCALE 3:1 SHEET 3 OF 3 REV E

Mouser Electronics

Authorized Distributor

Click to View Pricing, Inventory, Delivery & Lifecycle Information:

[TE Connectivity:](#)

[1888065-1](#)