

4

3

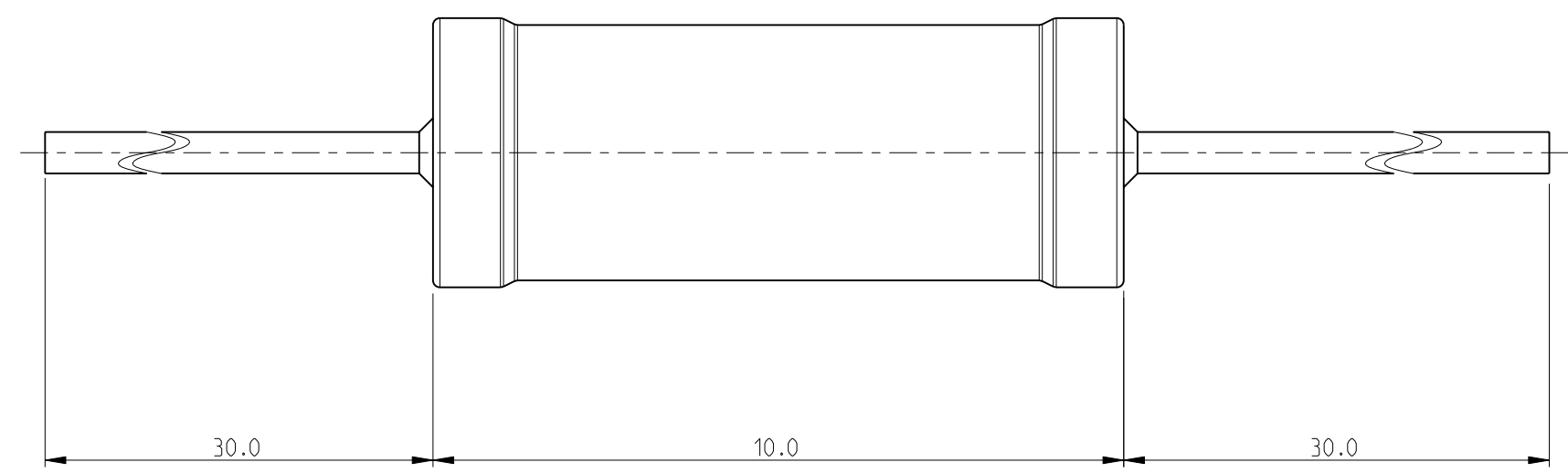
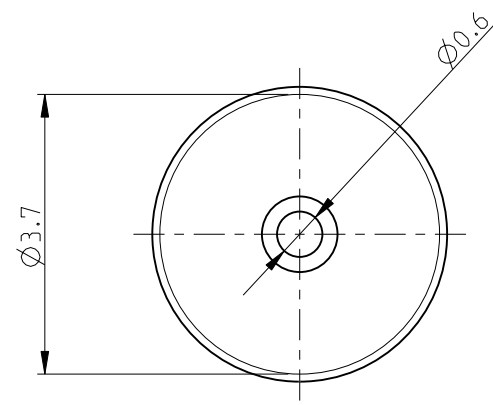
2

1

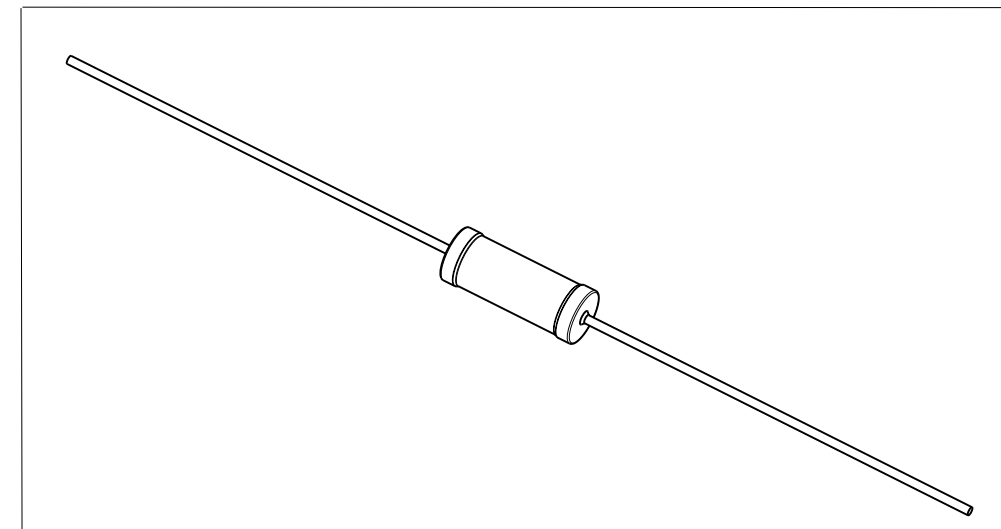
THIS DRAWING IS UNPUBLISHED. RELEASED FOR PUBLICATION 2009
 © COPYRIGHT 2009 BY TYCO ELECTRONICS CORPORATION. ALL RIGHTS RESERVED.

LOC		DIST		REVISIONS			
P	LTR	DESCRIPTION		DATE	DWN	APVD	
	BA	NEW RELEASE		29JUNE2010	PT	St.P	

FOR FURTHER INFORMATION SEE DATA SHEET FOR
 SERIES HOLCO, AXIAL LEADED PRECISION RESISTORS



RoHS Compliant



THIS DRAWING IS A CONTROLLED DOCUMENT FOR TYCO ELECTRONICS CORPORATION
 IT IS SUBJECT TO CHANGE AND THE CONTROLLING ENGINEERING ORGANIZATION
 SHOULD BE CONTACTED FOR THE LATEST REVISION.

DIMENSIONS: mm		TOLERANCES UNLESS OTHERWISE SPECIFIED:	
		0 PLC	± 0.2
		1 PLC	± 0.1
		2 PLC	$\pm -$
		3 PLC	$\pm -$
		4 PLC	$\pm -$
MATERIAL -		FINISH -	
ANGLES		$\pm 5^\circ$	

DWN	29JUNE2010
PARUSURAM.T	
CHK	29JUNE2010
ALLAN.P	
APVD	29JUNE2010
STEPHEN.P	
PRODUCT SPEC	-
APPLICATION SPEC	-
WEIGHT	-
CUSTOMER DRAWING	

		Tyco Electronics Corporation Dorcan, Swindon, SN3 5HH	
NAME AXIAL LEADED PRECISION RESISTORS SERIES HOLCO H4			
SIZE	CAGE CODE	DRAWING NO	RESTRICTED TO
A3	00779	C-1879689	-
SCALE 10:1		SHEET 1 OF 1	REV BA

Mouser Electronics

Authorized Distributor

Click to View Pricing, Inventory, Delivery & Lifecycle Information:

[TE Connectivity:](#)

[9-1879689-1](#)