

4

3

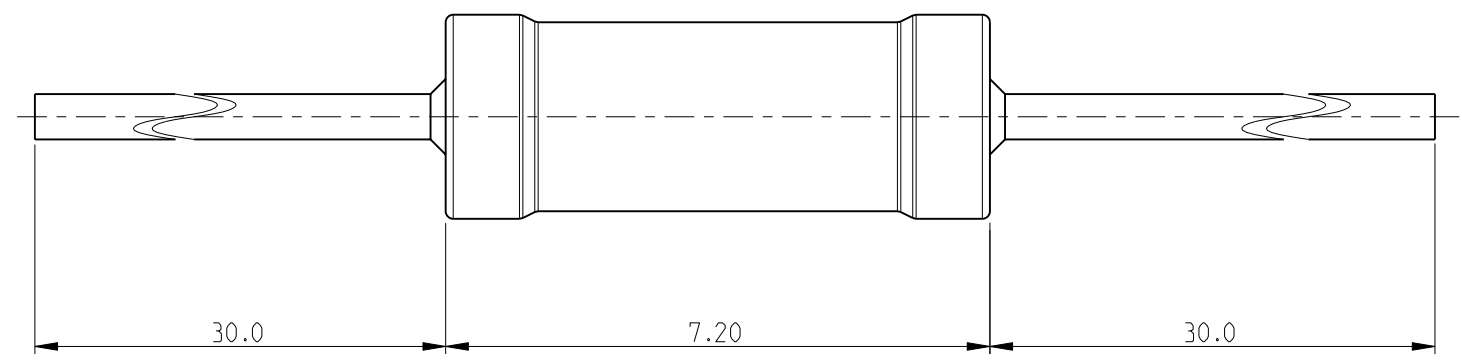
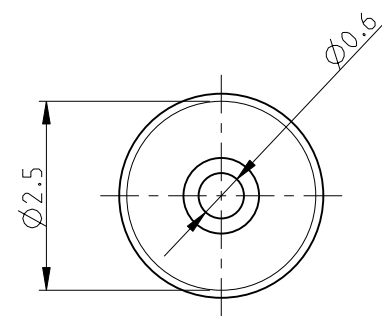
2

1

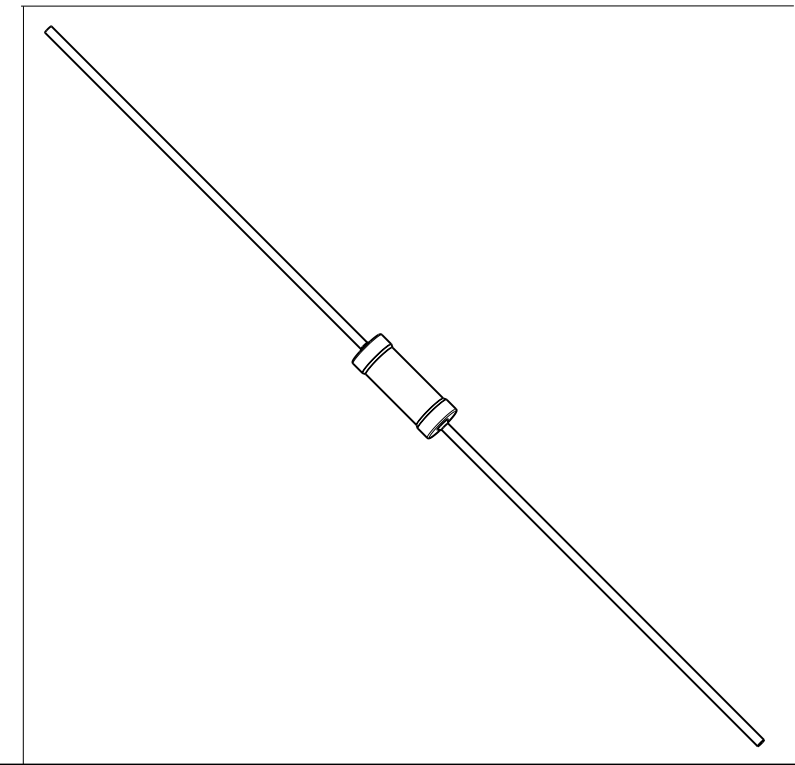
THIS DRAWING IS UNPUBLISHED. RELEASED FOR PUBLICATION 2009
 © COPYRIGHT 2009 BY TYCO ELECTRONICS CORPORATION. ALL RIGHTS RESERVED.

| LOC | DIST | REVISIONS | | | | |
|-----|------|-------------|-------------|--------------|------|------|
| P | LTR | DESCRIPTION | DATE | DWN | APVD | |
| E | B | BA | NEW RELEASE | 29 JUNE 2010 | PT | St.P |

FOR FURTHER INFORMATION SEE DATA SHEET FOR
 SERIES HOLCO, AXIAL LEADED PRECISION RESISTORS



RoHS Compliant



| | | | | | |
|---|--|---|--|---|-----------------|
| <small>THIS DRAWING IS A CONTROLLED DOCUMENT FOR TYCO ELECTRONICS CORPORATION IT IS SUBJECT TO CHANGE AND THE CONTROLLING ENGINEERING ORGANIZATION SHOULD BE CONTACTED FOR THE LATEST REVISION.</small> | | DWN 29 JUNE 2010 PARUSURAM.T | | Tyco Electronics Corporation Dorcan, Swindon, SN3 5HH | |
| DIMENSIONS: mm | | TOLERANCES UNLESS OTHERWISE SPECIFIED: | | NAME AXIAL LEADED PRECISION RESISTORS SERIES HOLCO H8 | |
| | | 0 PLC ± 0.2 1 PLC ± 0.1 2 PLC $\pm -$ 3 PLC $\pm -$ 4 PLC $\pm -$ ANGLES $\pm 5^\circ$ | | APVD 29 JUNE 2010 STEPHEN.P | |
| MATERIAL - | | FINISH - | | PRODUCT SPEC - | |
| | | | | APPLICATION SPEC - | |
| | | | | WEIGHT - | |
| CUSTOMER DRAWING | | | | SIZE A3 | CAGE CODE 00779 |
| | | | | DRAWING NO C-1879682 | RESTRICTED TO - |
| | | | | SCALE 10:1 | SHEET 1 OF 1 |
| | | | | REV BA | |

Mouser Electronics

Authorized Distributor

Click to View Pricing, Inventory, Delivery & Lifecycle Information:

[TE Connectivity:](#)

[4-1879682-1](#)