

4

3

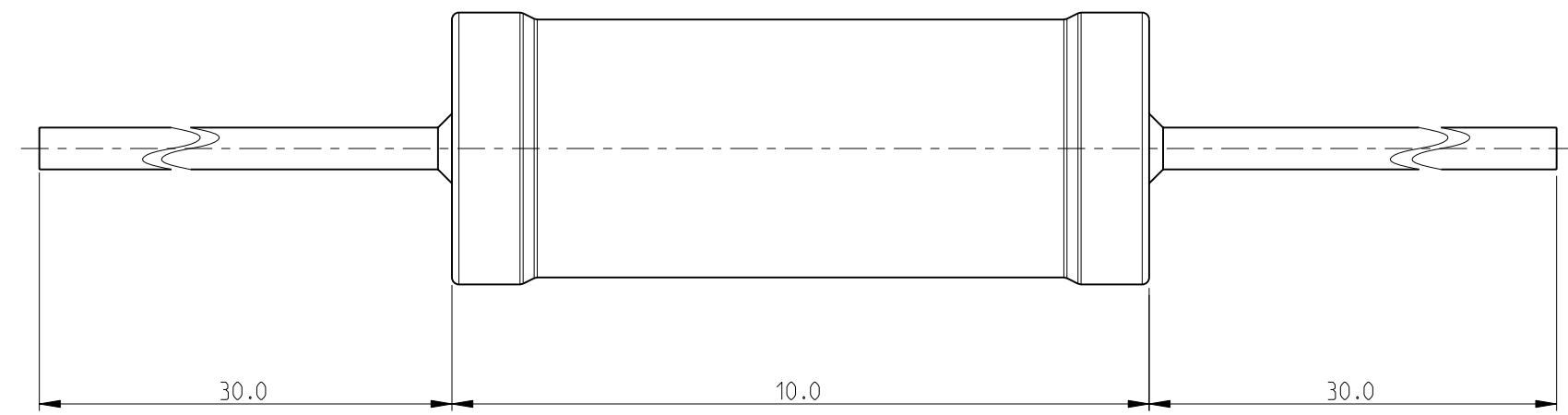
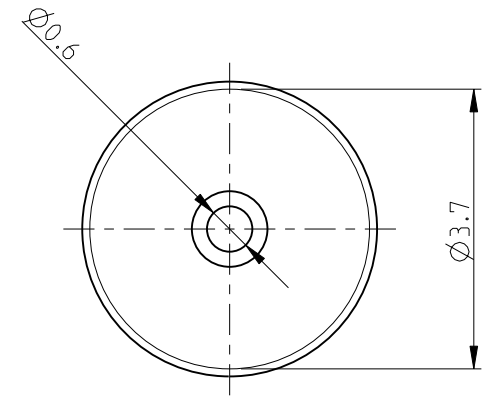
2

1

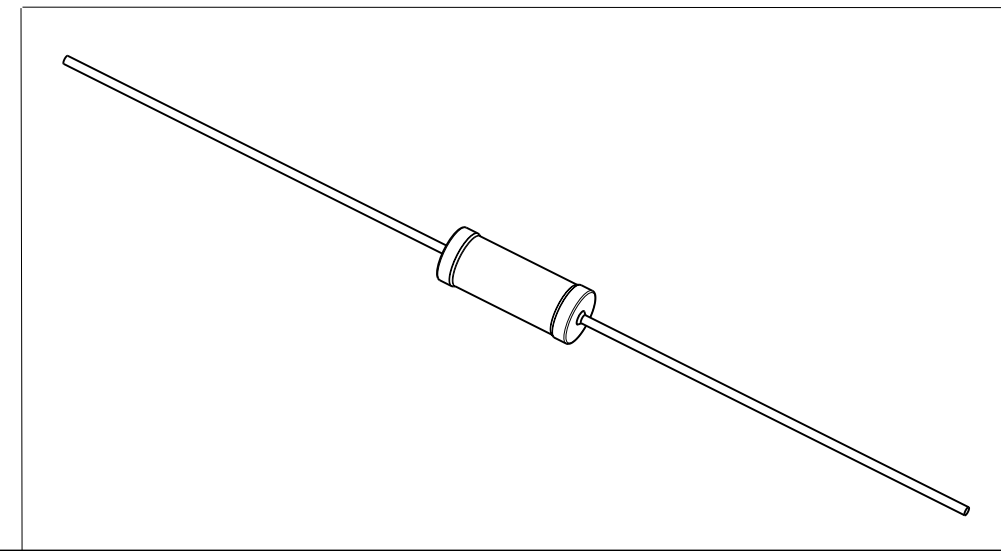
THIS DRAWING IS UNPUBLISHED. RELEASED FOR PUBLICATION 2009  
 © COPYRIGHT 2009 BY TYCO ELECTRONICS CORPORATION. ALL RIGHTS RESERVED.

| LOC | DIST | REVISIONS   |             |            |         |
|-----|------|-------------|-------------|------------|---------|
| P   | LTR  | DESCRIPTION | DATE        | DWN        | APVD    |
| E   | B    | BA          | NEW RELEASE | 28JUNE2010 | PT St.P |

FOR FURTHER INFORMATION SEE DATA SHEET FOR  
 SERIES HOLCO, AXIAL LEADED PRECISION RESISTORS



RoHS Compliant



|   |  |                               |   |  |
|---|--|-------------------------------|---|--|
| <small>THIS DRAWING IS A CONTROLLED DOCUMENT FOR TYCO ELECTRONICS CORPORATION<br/>         IT IS SUBJECT TO CHANGE AND THE CONTROLLING ENGINEERING ORGANIZATION<br/>         SHOULD BE CONTACTED FOR THE LATEST REVISION.</small> |  | DWN 28JUNE2010<br>PARUSURAM.T | Tyco Electronics Corporation<br>Dorcan, Swindon, SN3 5HH    |  |
| DIMENSIONS:<br>mm   |  | CHK 28JUNE2010<br>ALLAN.P     | NAME<br>AXIAL LEADED PRECISION RESISTORS<br>SERIES HOLCO H4 |  |
|   |  | APVD 28JUNE2010<br>STEPHEN.P  | PRODUCT SPEC<br>-   | RESTRICTED TO<br>-                                 |
| MATERIAL -  |  | APPLICATION SPEC<br>-         | WEIGHT<br>-   | SIZE A3<br>CAGE CODE 00779<br>DRAWING NO C-1879680 |
| FINISH -  |  | CUSTOMER DRAWING              |   | SCALE 10:1<br>SHEET 1 OF 1<br>REV BA               |

# Mouser Electronics

Authorized Distributor

Click to View Pricing, Inventory, Delivery & Lifecycle Information:

[TE Connectivity:](#)

[8-1879680-9](#)