

4

3

2

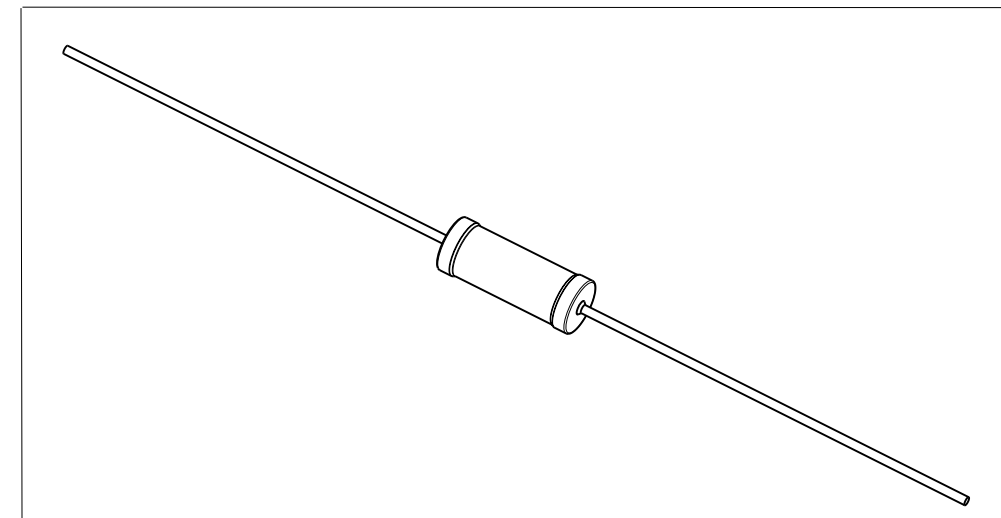
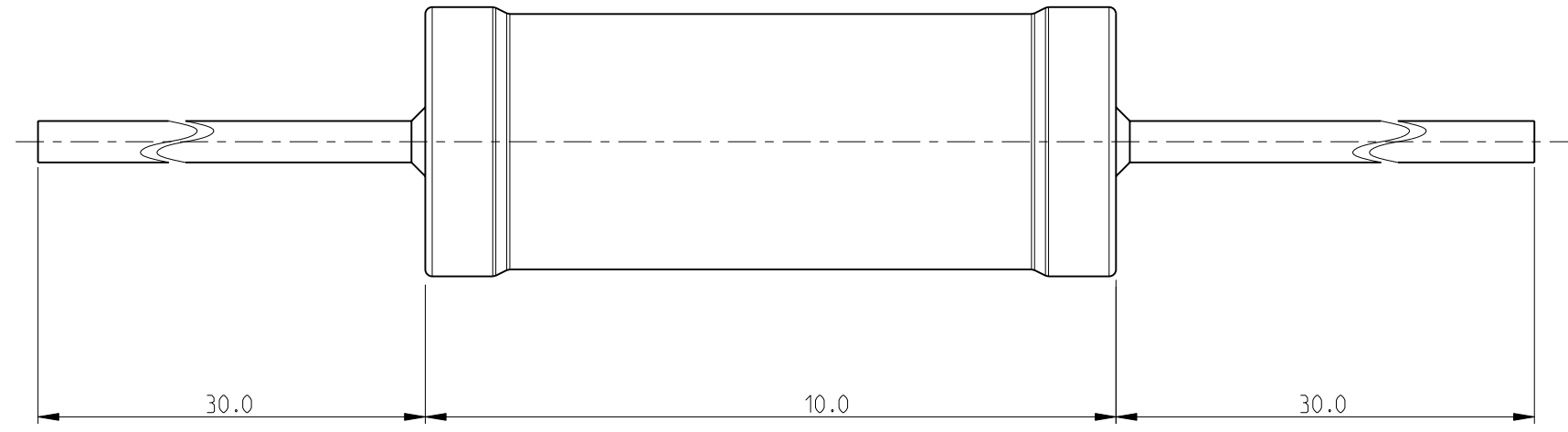
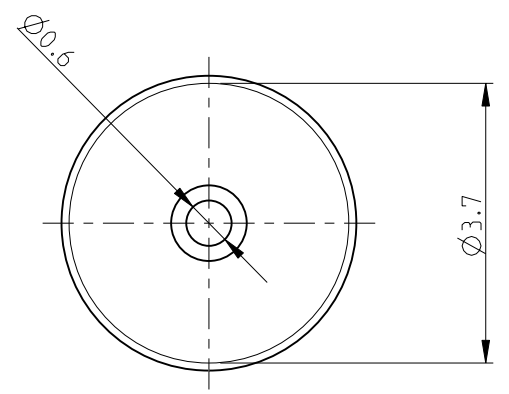
1

THIS DRAWING IS UNPUBLISHED. RELEASED FOR PUBLICATION 2009

© COPYRIGHT 2009 BY TYCO ELECTRONICS CORPORATION. ALL RIGHTS RESERVED.

LOC	DIST	REVISIONS			
P	LTR	DESCRIPTION	DATE	DWN	APVD
E	B	BA	NEW RELEASE	28JUNE2010	PT St.P

FOR FURTHER INFORMATION SEE DATA SHEET FOR SERIES HOLCO, AXIAL LEADED PRECISION RESISTORS



RoHS Compliant

<small>THIS DRAWING IS A CONTROLLED DOCUMENT FOR TYCO ELECTRONICS CORPORATION IT IS SUBJECT TO CHANGE AND THE CONTROLLING ENGINEERING ORGANIZATION SHOULD BE CONTACTED FOR THE LATEST REVISION.</small>		DWN 28JUNE2010 PARUSURAM.T	Tyco Electronics Corporation Dorcan, Swindon, SN3 5HH	
DIMENSIONS: mm		CHK 28JUNE2010 ALLAN.P	NAME AXIAL LEADED PRECISION RESISTORS SERIES HOLCO H4	
		APVD 28JUNE2010 STEPHEN.P	PRODUCT SPEC -	
TOLERANCES UNLESS OTHERWISE SPECIFIED: 0 PLC ± 0.2 1 PLC ± 0.1 2 PLC $\pm -$ 3 PLC $\pm -$ 4 PLC $\pm -$ ANGLES $\pm 5^\circ$		APPLICATION SPEC -	RESTRICTED TO -	
MATERIAL - FINISH -		WEIGHT -	SIZE A3 CAGE CODE 00779 DRAWING NO C-1879679	SCALE 10:1 SHEET 1 OF 1 REV BA
CUSTOMER DRAWING			SCALE 10:1 SHEET 1 OF 1 REV BA	

Mouser Electronics

Authorized Distributor

Click to View Pricing, Inventory, Delivery & Lifecycle Information:

[TE Connectivity:](#)

[7-1879679-9](#)