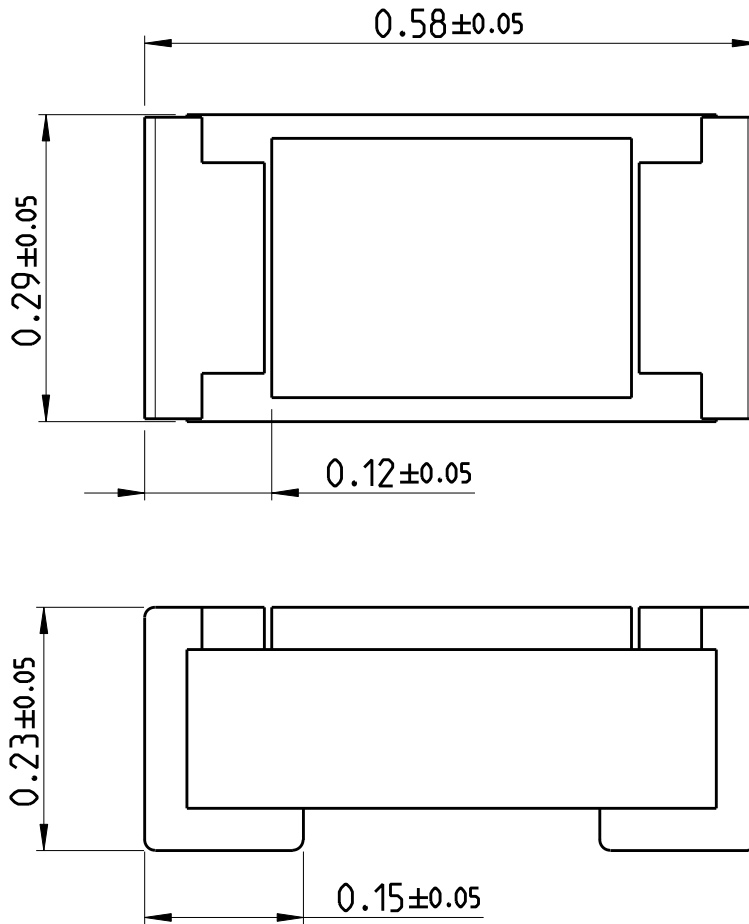
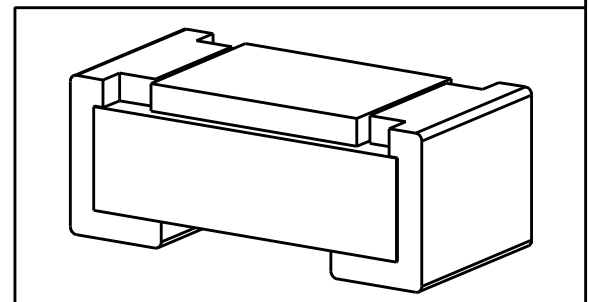


LOC	DIST	REVISIONS					
AI	-	P	LTR	DESCRIPTION	DATE	DWN	APVD
		BA		NEW DRAWING	07MAR2012	DMS	ST.P


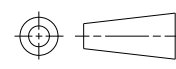


FOR FURTHER INFORMATION SEE DATA SHEET FOR CURRENT SENSING CHIP RESISTOR - RL73 SERIES

RoHS Compliant



2011  
RELEASED FOR PUBLICATION  
ALL RIGHTS RESERVED.  
THIS DRAWING IS UNPUBLISHED.  
© COPYRIGHT 2011

DIMENSIONS:	DWN	07MAR2012	MATERIAL	FINISH		
mm	DARSHAN MS		-	-		
TOLERANCES UNLESS OTHERWISE SPECIFIED:	CHK	07MAR2012	 TE Connectivity			
0 PLC ±	ALLAN P					
1 PLC ±	APVD	07MAR2012	NAME SMD LOW OHMIC CURRENT SENSE RESISTOR RL73 (1H) SERIES			
2 PLC ±	STEPHEN.P					
3 PLC ±	PRODUCT SPEC		SIZE	CAGE CODE	DRAWING NO	RESTRICTED TO
4 PLC ±	APPLICATION SPEC		A 4	00779	C-1879458	-
ANGLES ±5°	WEIGHT		CUSTOMER DRAWING			
			SCALE	SHEET	OF	REV
			1:1	1	1	BA

# Mouser Electronics

Authorized Distributor

Click to View Pricing, Inventory, Delivery & Lifecycle Information:

[TE Connectivity:](#)

[6-1879458-9](#)