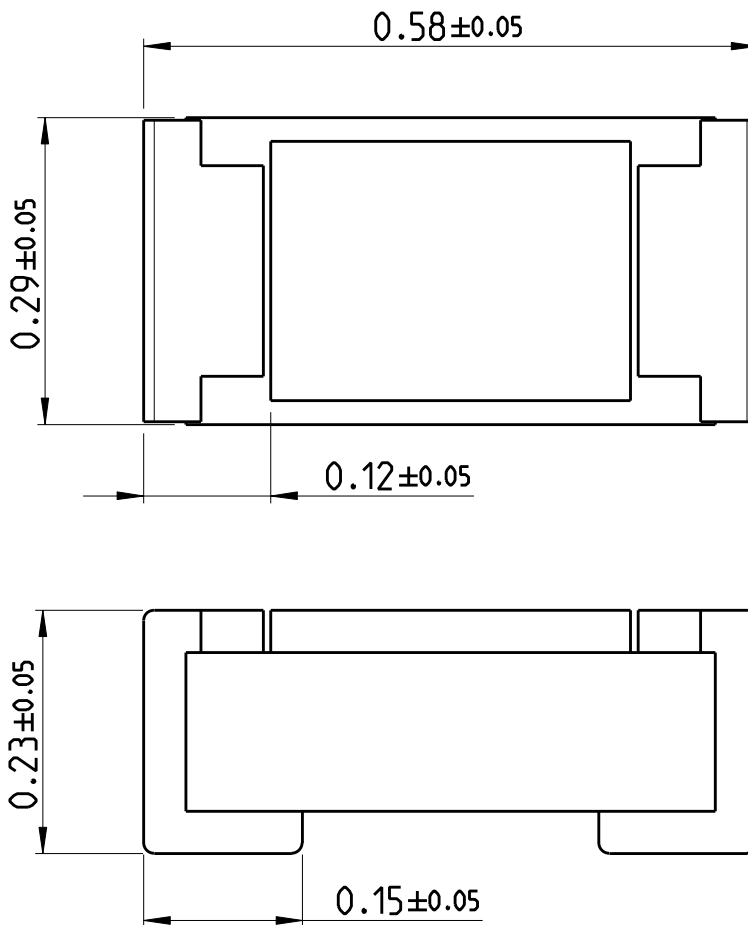
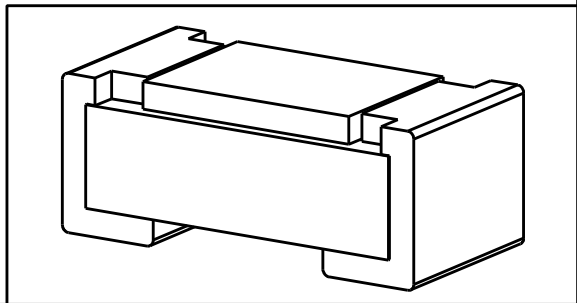


LOC	DIST	REVISIONS					
AI	-	P	LTR	DESCRIPTION	DATE	DWN	APVD
		BA		NEW DRAWING	07MAR2012	DMS	ST.P



FOR FURTHER INFORMATION SEE DATA SHEET FOR CURRENT SENSING CHIP RESISTOR - RL73 SERIES

RoHS Compliant




2011

RELEASED FOR PUBLICATION

ALL RIGHTS RESERVED.

THIS DRAWING IS UNPUBLISHED.

© COPYRIGHT 2011

DIMENSIONS: mm	DWN DARSHAN MS	07MAR2012	MATERIAL	-	FINISH	-
	CHK ALLAN P	07MAR2012	 TE Connectivity			
TOLERANCES UNLESS OTHERWISE SPECIFIED:	APVD STEPHEN.P	07MAR2012				
0 PLC ±	PRODUCT SPEC	-	NAME SMD LOW OHMIC CURRENT SENSE RESISTOR RL73 (1H) SERIES			
1 PLC ±	APPLICATION SPEC	-	SIZE	CAGE CODE	DRAWING NO	RESTRICTED TO
2 PLC ±			A 4	00779	C-1879458	-
3 PLC ±			SCALE 1:1 SHEET 1 OF 1 REV BA			
4 PLC ±	WEIGHT	-				
ANGLES ±5°	CUSTOMER DRAWING					

Mouser Electronics

Authorized Distributor

Click to View Pricing, Inventory, Delivery & Lifecycle Information:

[TE Connectivity:](#)

[3-1879458-5](#)