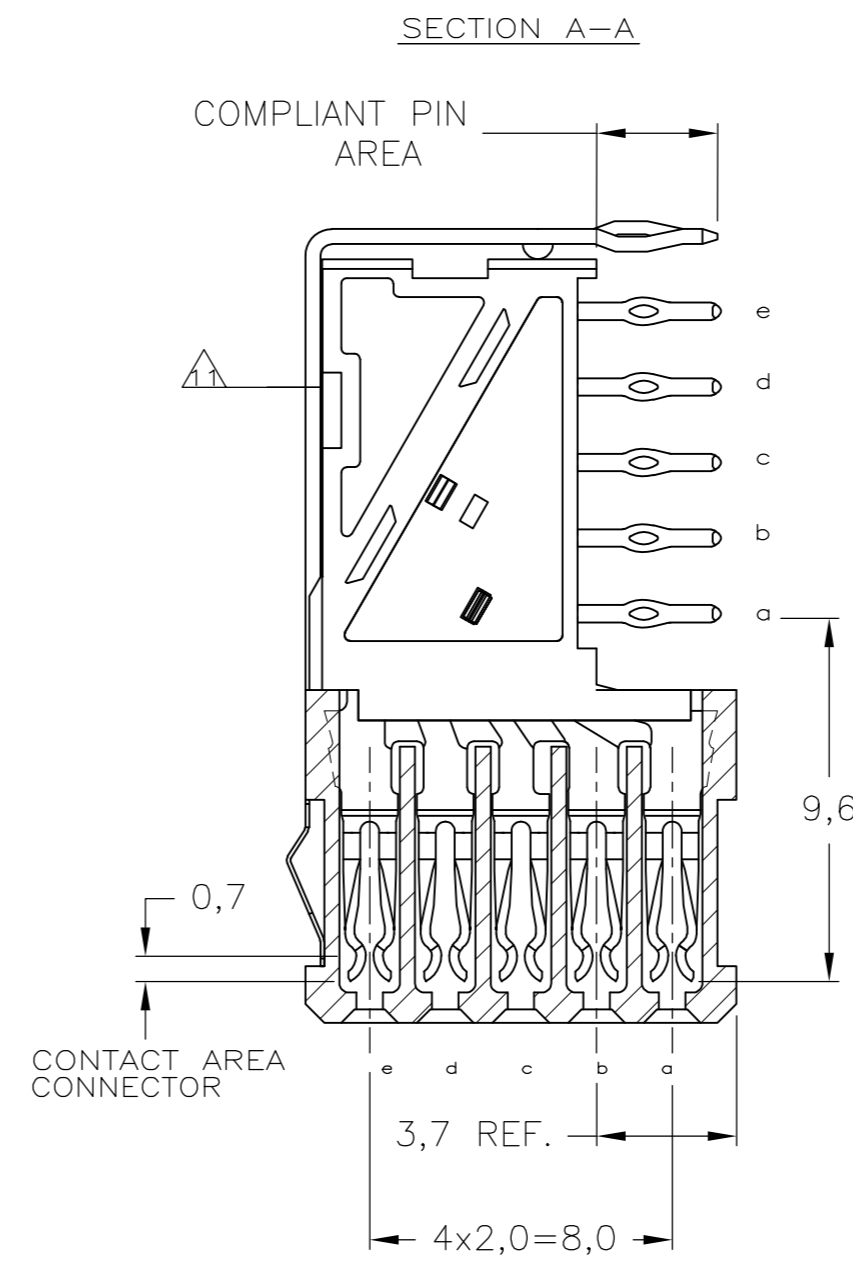
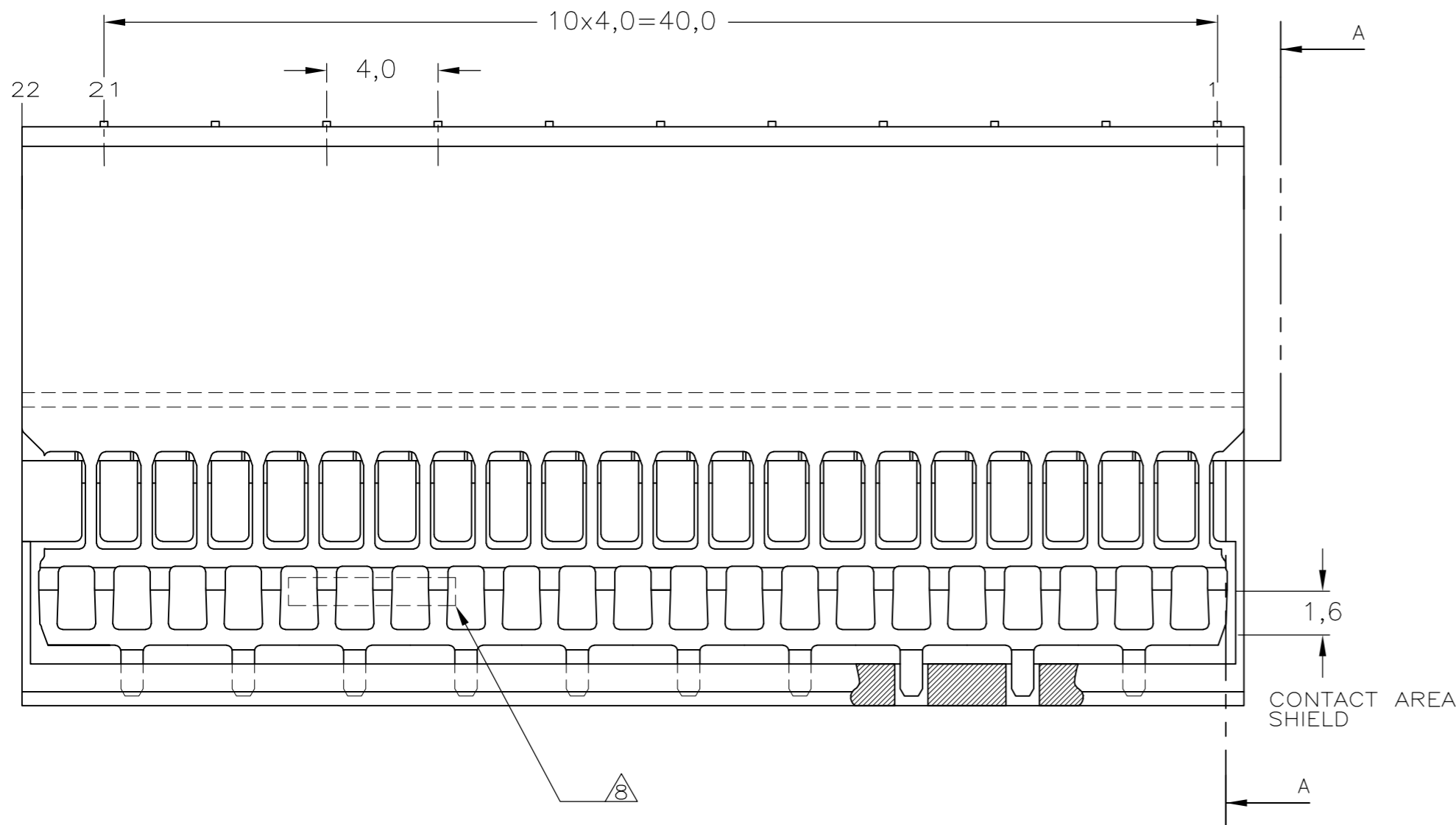
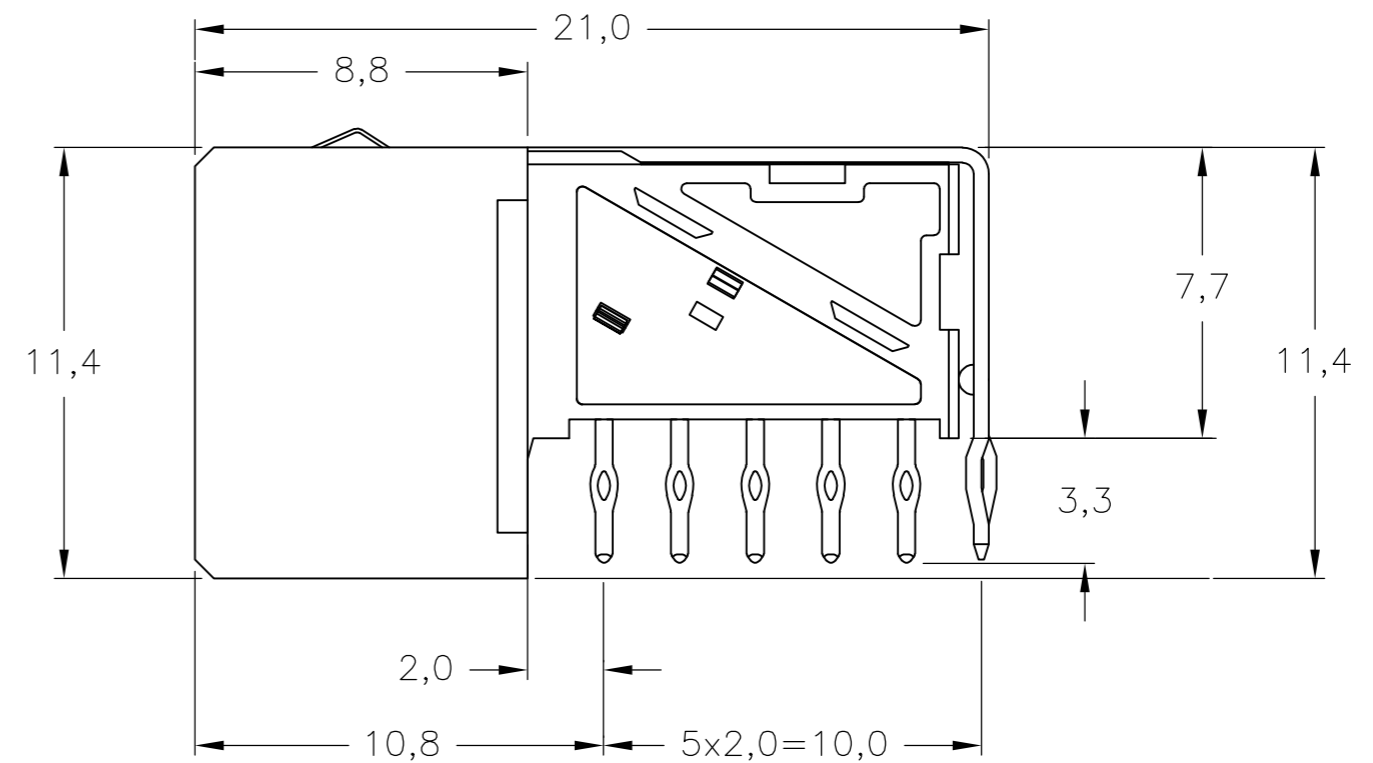
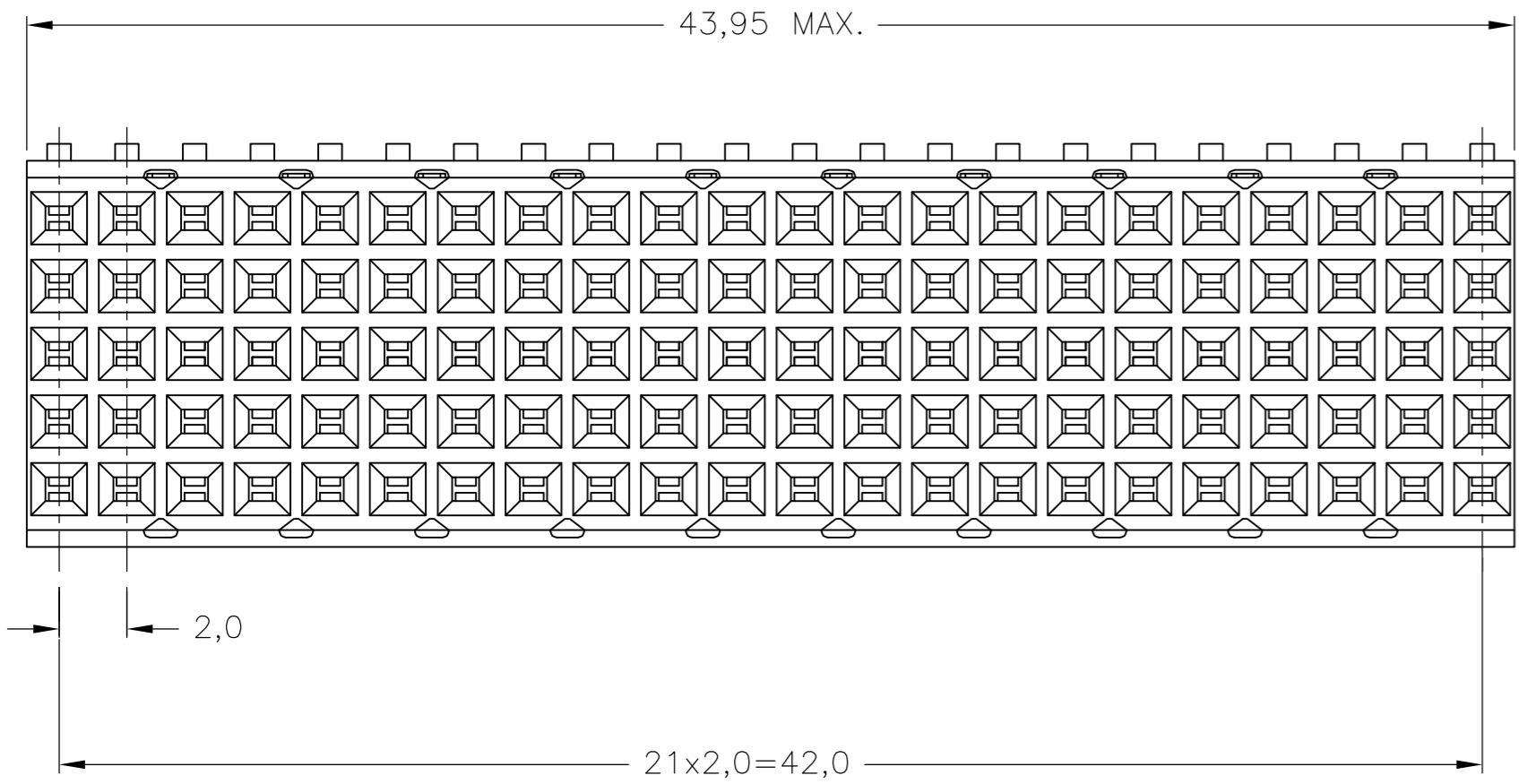


THIS DRAWING IS UNPUBLISHED. RELEASED FOR PUBLICATION
 © COPYRIGHT BY TYCO ELECTRONICS CORPORATION. ALL RIGHTS RESERVED.

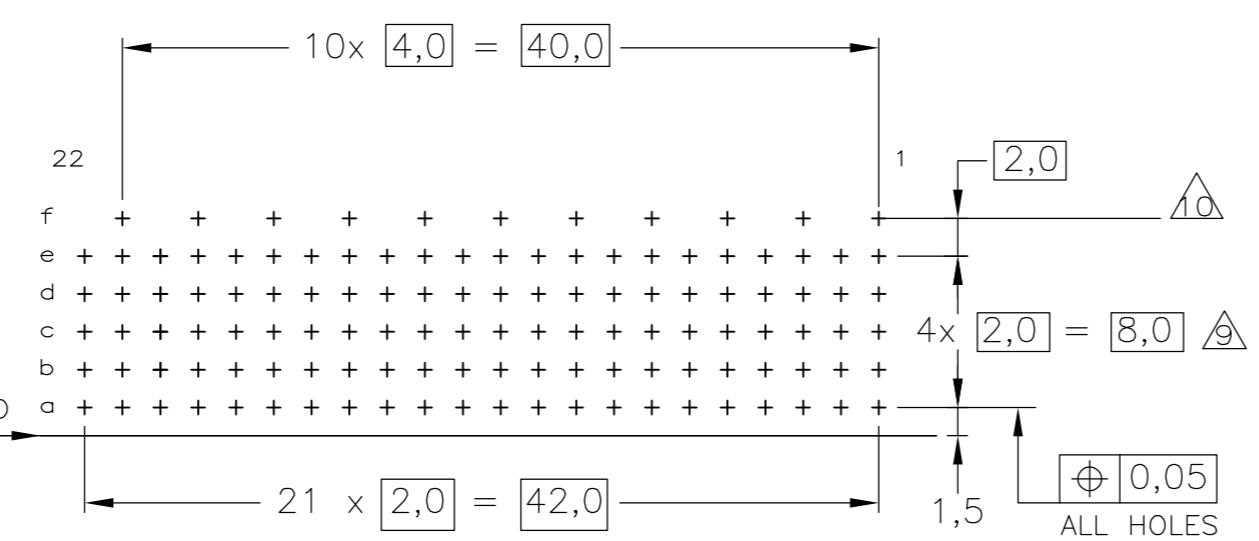
Loc	DIST	REVISIONS					
		P	LTR	DESCRIPTION	DATE	DWN	APVD
H	-	A1		ECR-07-024984	19OCT2007	JvH	JB
		B		ECR-10-018652	10SEP10	SW	MQW
		C		ECO-11-024491	13DEC11	SY	MQW



- NOTES:
- ⚠ MATERIAL CONTACTS; PHOSPHORBRONZE
 - ⚠ MATERIAL HOUSING; GLASSFILLED POLYESTER (GRAY)
 - ⚠ GENERAL PLATING SPECIFICATION: UNDERPLATING (ENTIRE CONTACT): 1,27μm NICKEL MIN. AND COMPLIANT PIN SECTION: 0,5μm TIN MIN. FOR PLATING OF MATING SURFACES SEE APPLICABLE SPECIFICATION REFERENCE FOR EACH DASH NUMBER.
 - ⚠ CONFORMS TO ALL TESTING ACCORDING IEC 61076-4-101 PERFORMANCE LEVEL 2.
 - ⚠ CONFORMS TO ALL TESTING ACCORDING IEC 61076-4-101 PERFORMANCE LEVEL 1.
 - ⚠ CONNECTOR TESTED AND QUALIFIED AGAINST TELCORDIA GR-1217-CORE QUALITY LEVEL III, CENTRAL OFFICE APPLICATIONS.
 - ⚠ CONNECTOR LUBRICATED WITH TELCORDIA GR-1217-CORE APPROVED LUBRICANT.
 - ⚠ PLATING SHIELD: μm Au MIN.
 - ⚠ CONTACT AREA: 0,76
 - ⚠ COMPLIANT PIN SECTION: 0,5μm Sn MIN.
 - ⚠ REMAINDER : Ni
 - ⚠ ASSEMBLY PRINTED WITH P/N AND DATECODE
 - ⚠ THE MARKING CAN APPEAR ON THE FRONT SIDE OR BACK SIDE.
 - ⚠ HOLE PATTERN FOR FEMALE CONNECTOR TYPE B-22 COLUMNS 110 PLATED-THROUGH HOLES AT 2x2mm SQUARE GRID
 - ⚠ ROW "f" 11 PLATED THROUGH HOLES FOR UPERSHIELD
 - ⚠ SHIELD MOUNTED ON CONNECTOR WITH DOUBLE SIDED ADHESIVE TAPE OR ADHESIVE.
 - 12 BASIC P.N. LOWERSHIELD : 5352468.



COMPONENT SIDE AS SHOWN
 RECOMMENDED PCB-HOLE LAY-OUT
 SCALE 2,5:1



P.C.B. HOLE DIM. COMPLIANT PIN
 FOR DETAILS SEE
 APPLICATION SPECIFICATION

THIS DRAWING IS A CONTROLLED DOCUMENT.		DWN J.van Hoek 23AUG2007	Tyco Electronics Corporation	
DIMENSIONS: mm		CHK B.Mooij 23AUG2007	's-Hertogenbosch,5222AR-32	
TOLERANCES UNLESS OTHERWISE SPECIFIED:		APVD J.Broeksteeg 23AUG2007	NAME	
0-PLC ±		PRODUCT SPEC	Z-PACK 2mm HM	
1-PLC ±		APPLICATION SPEC	TYPE B - 22 COLUMNS	
2-PLC ± ±0.2		108-19082	PRE-SHIELDED RECEPTACLE	
3-PLC ±		114-19029	SIZE A2	CAGE CODE 00779
4-PLC ±		WEIGHT -	DRAWING NO C=1857997	RESTRICTED TO -
ANGLES ±		CUSTOMER DRAWING	SCALE 5:1	SHEET 1 OF 1
FINISH -			REV C	

Mouser Electronics

Authorized Distributor

Click to View Pricing, Inventory, Delivery & Lifecycle Information:

[TE Connectivity:](#)

[1857997-1](#)