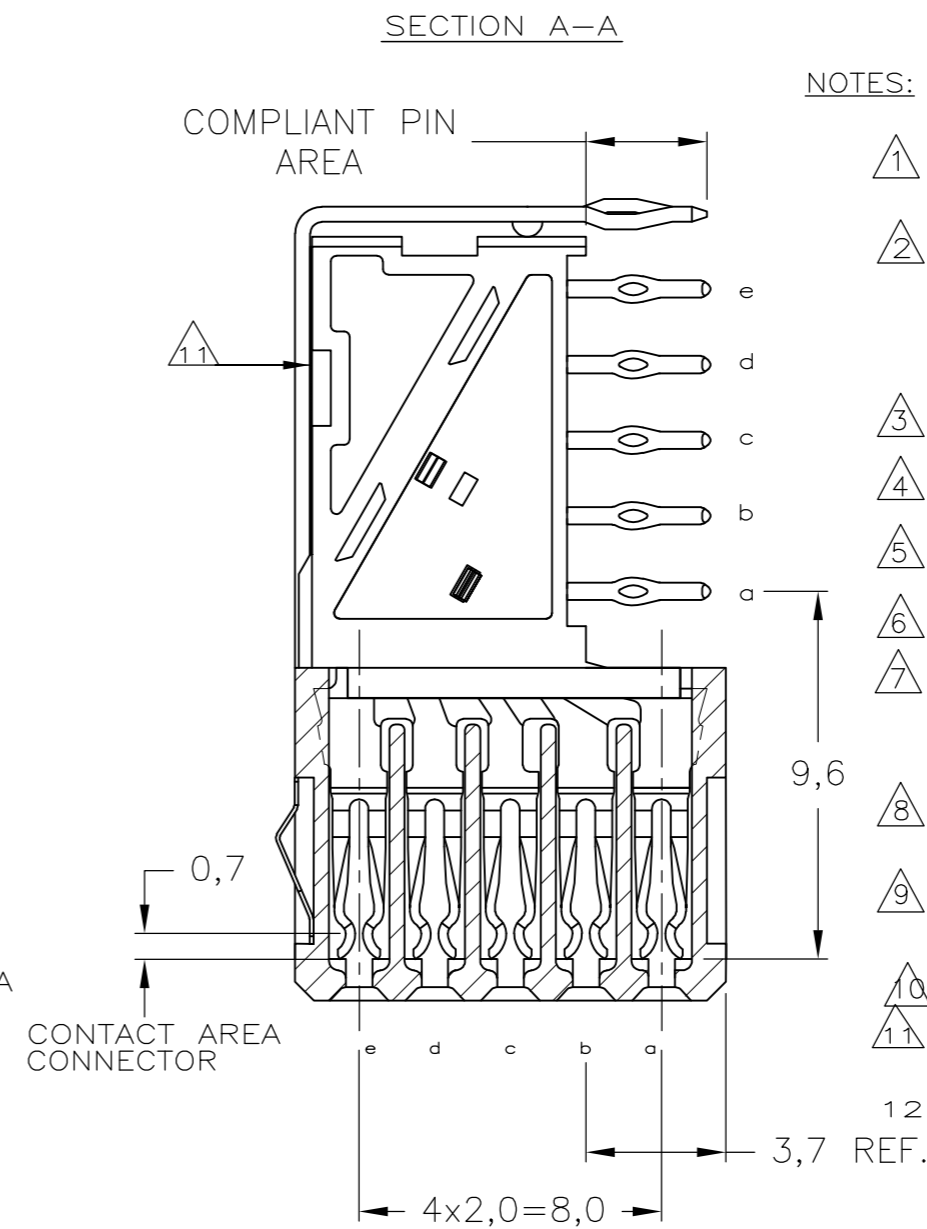
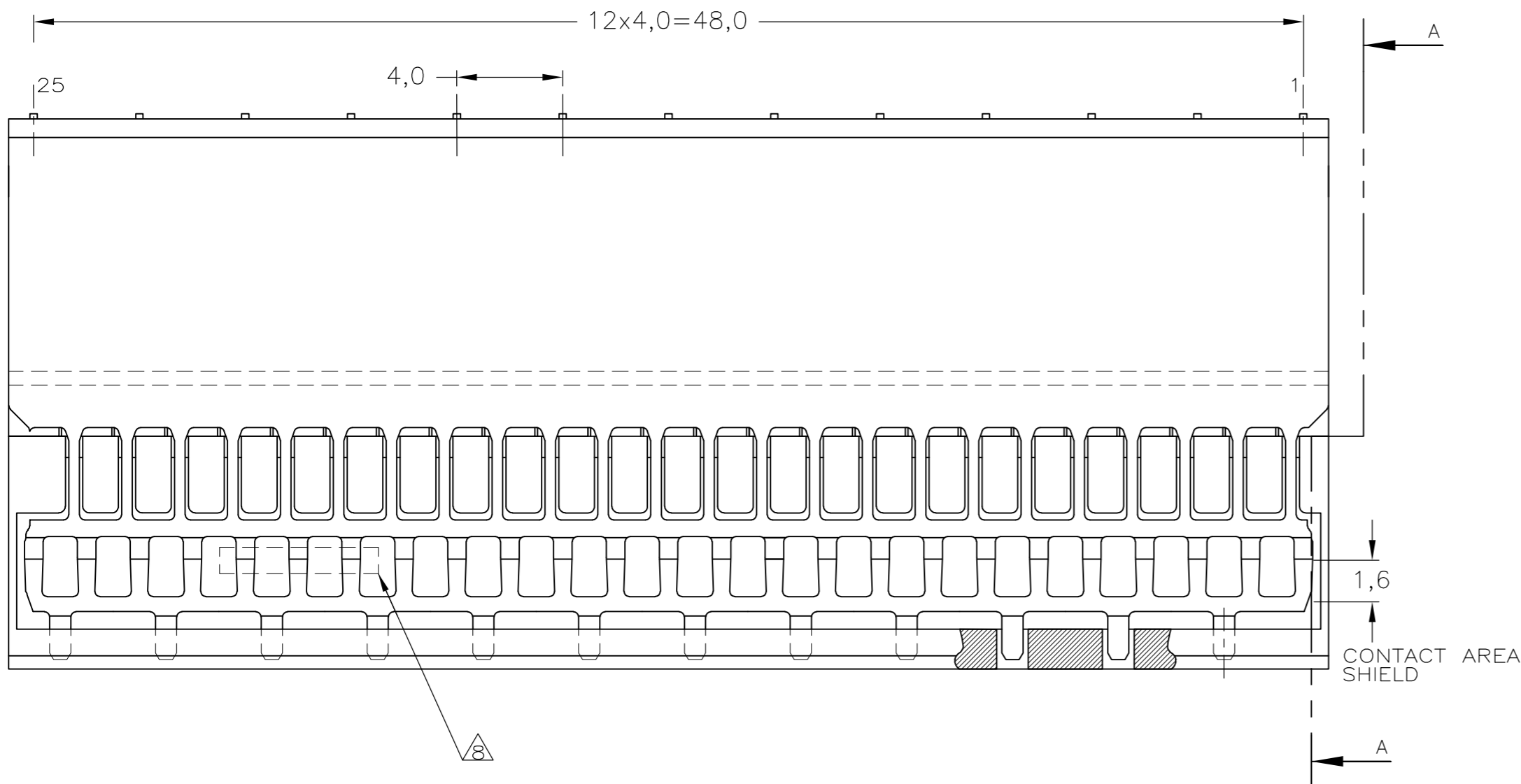


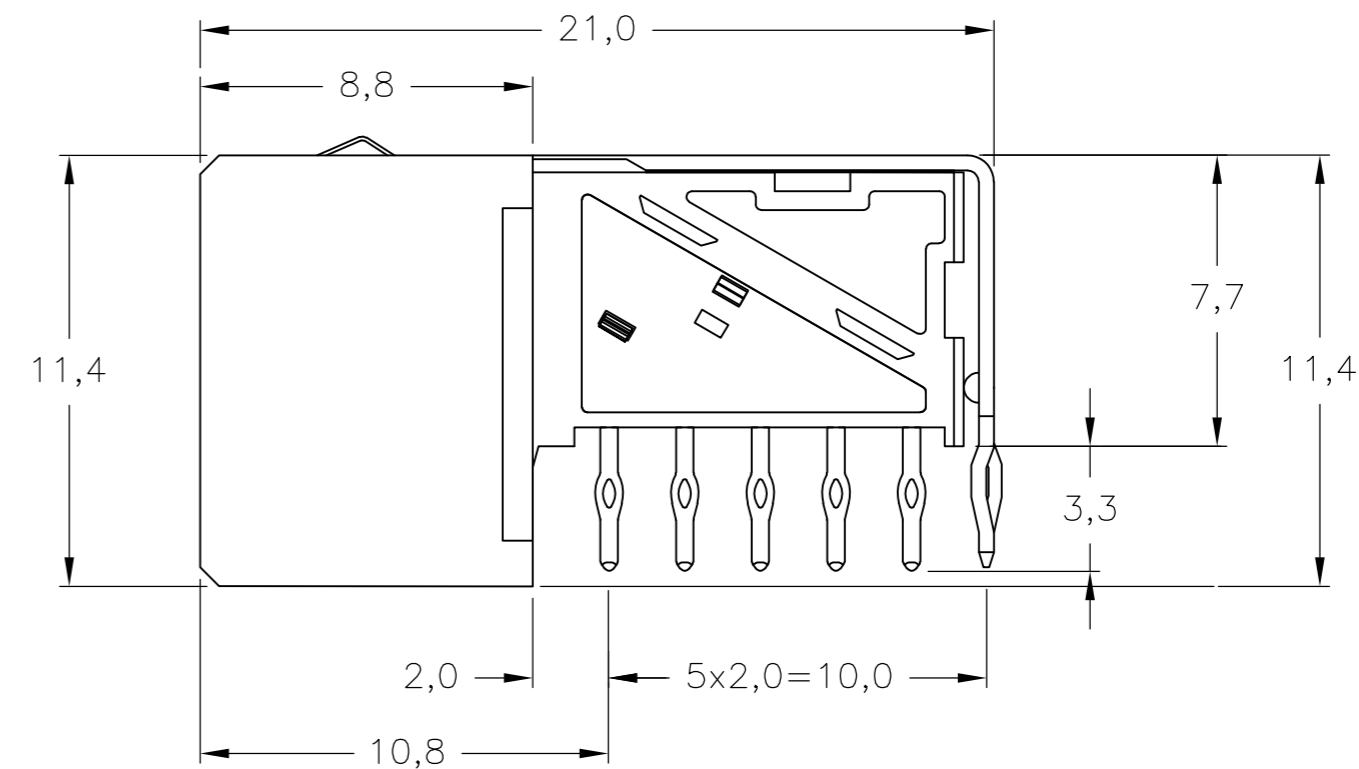
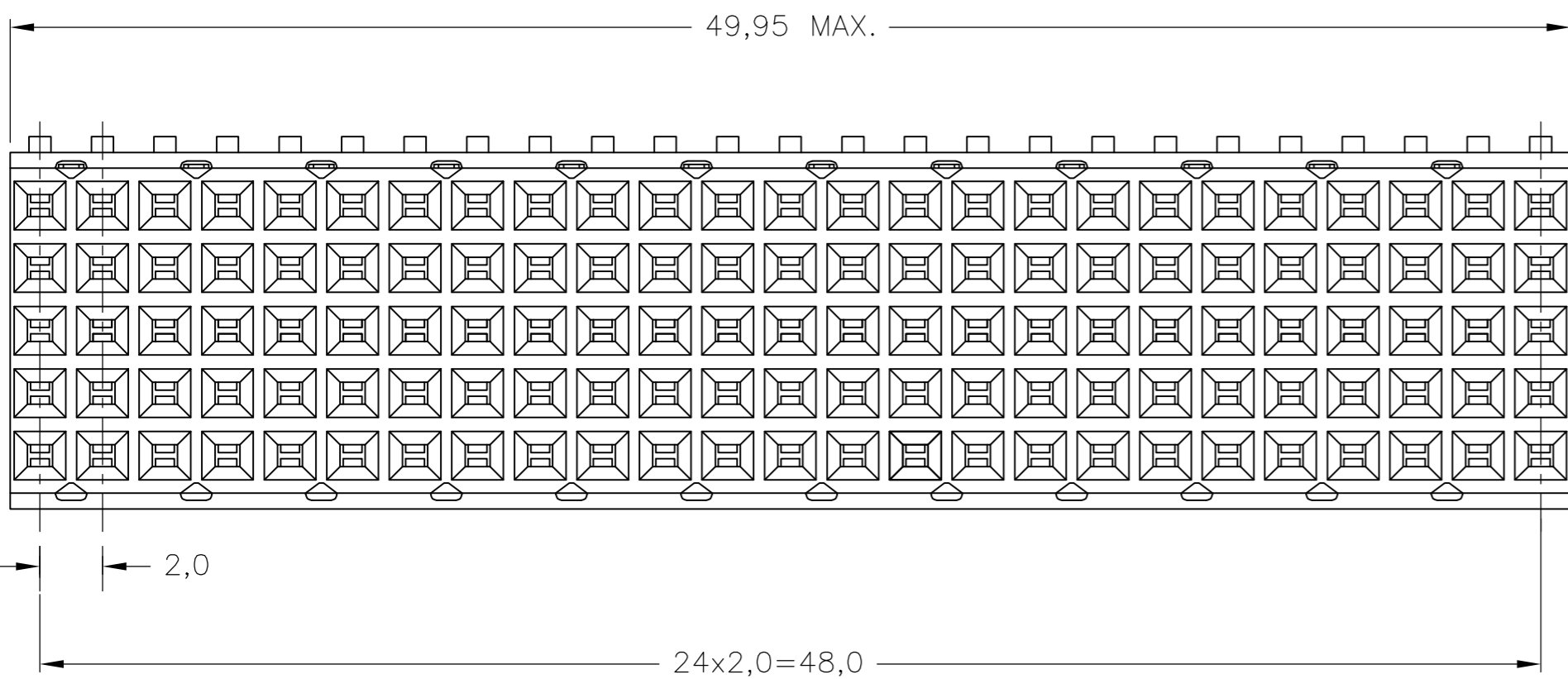
THIS DRAWING IS UNPUBLISHED. RELEASED FOR PUBLICATION
 © COPYRIGHT BY TYCO ELECTRONICS CORPORATION. ALL RIGHTS RESERVED.

LOC		DIST		REVISIONS			
P	LTR	DESCRIPTION	DATE	DWN	APVD		
	A1	ECR-07-024984	19OCT2007	JvH	JB		
	B	ECR-10-018652	10SEP10	SW	MQW		
	C	ECO-11-024491	13DEC11	SY	MQW		

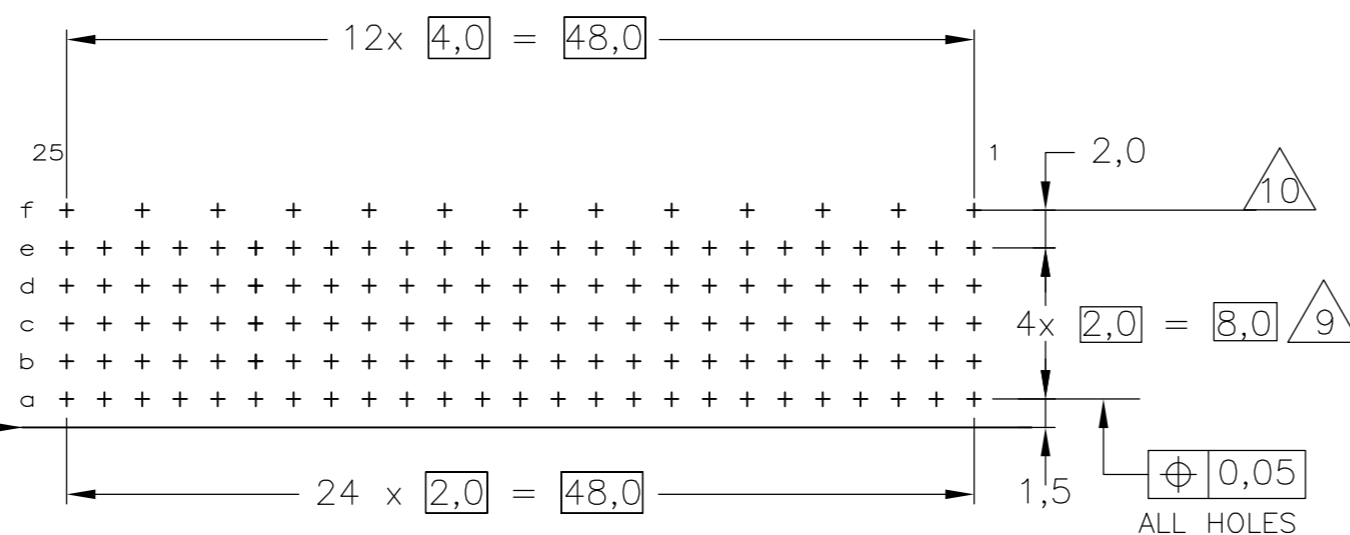


NOTES:

- 1 MATERIAL CONTACTS; PHOSPHORBRONZE
MATERIAL HOUSING; GLASSFILLED POLYESTER (GRAY)
- 2 GENERAL PLATING SPECIFICATION: UNDERPLATING (ENTIRE CONTACT): 1,27µm NICKEL MIN. AND COMPLIANT PIN SECTION: 0,5µm TIN MIN. FOR PLATING OF MATING SURFACES SEE APPLICABLE SPECIFICATION REFERENCE FOR EACH DASH NUMBER.
- 3 CONFORMS TO ALL TESTING ACCORDING IEC 61076-4-101 PERFORMANCE LEVEL 2.
- 4 CONFORMS TO ALL TESTING ACCORDING IEC 61076-4-101 PERFORMANCE LEVEL 1.
- 5 CONNECTOR TESTED AND QUALIFIED AGAINST TELCORDIA GR-1217-CORE QUALITY LEVEL III, CENTRAL OFFICE APPLICATIONS.
- 6 CONNECTOR LUBRICATED WITH TELCORDIA APPROVED LUBRICANT.
- 7 PLATING SHIELD:
CONTACT AREA : 0,76µm Au MIN.
COMPLIANT PIN SECTION: 0,5µm Sn MIN.
REMAINDER : Ni
- 8 ASSEMBLY PRINTED WITH P/N AND DATECODE
THE MARKING CAN APPEAR ON THE FRONT SIDE OR BACK SIDE.
- 9 HOLE PATTERN FOR FEMALE CONNECTOR TYPE B
125 PLATED-THROUGH HOLES AT 2x2mm SQUARE GRID
- 10 ROW "f" 13 PLATED THROUGH HOLES FOR UPERSHIELD
- 11 SHIELD MOUNTED ON CONNECTOR WITH DOUBLE SIDED ADHESIVE TAPE OR ADHESIVE.
BASIC P.N. LOWERSHIELD: 5338110
- 12 REF.



COMPONENT SIDE AS SHOWN
RECOMMENDED PCB-HOLE LAY-OUT
SCALE 2,5:1



P.C.B. HOLE DIM. COMPLIANT PIN
FOR DETAILS SEE
APPLICATION SPECIFICATION

THIS DRAWING IS A CONTROLLED DOCUMENT.

DIMENSIONS:	TOLERANCES UNLESS OTHERWISE SPECIFIED:
mm	±0.2
MATERIAL	FINISH
-	-

DWN	23AUG2007	J.van Hoek
CHK	23AUG2007	B.Mooij
APVD	23AUG2007	J.Broeksteeg
PRODUCT SPEC	108-19082	
APPLICATION SPEC	114-19029	
WEIGHT	-	
CUSTOMER DRAWING		

FINISH	MATERIAL	PARTNUMBER
2,5,6,7	1	1857995-9
2,4,7	1	1857995-4
2,3,7	1	1857995-1

Tyco Electronics Corporation 's-Hertogenbosch,5222AR-32V		NAME	
Z-PACK 2mm HM TYPE B - 25 COLUMNS PRE-SHIELDED RECEPTACLE			
SIZE	CAGE CODE	DRAWING NO	RESTRICTED TO
A2	00779	C=1857995	-
SCALE 5:1		SHEET 1 OF 1	REV C

Mouser Electronics

Authorized Distributor

Click to View Pricing, Inventory, Delivery & Lifecycle Information:

[TE Connectivity:](#)

[1857995-1](#)