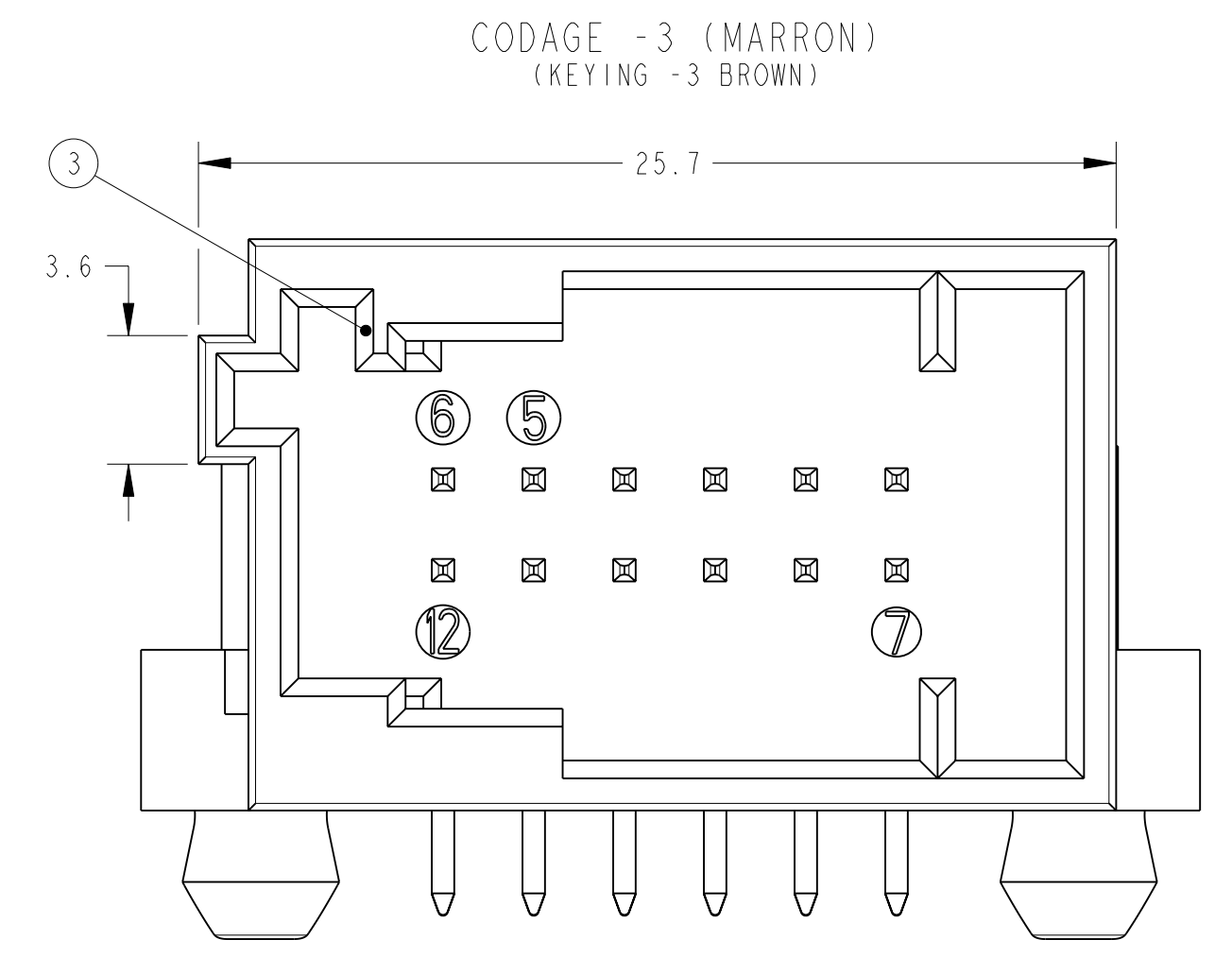
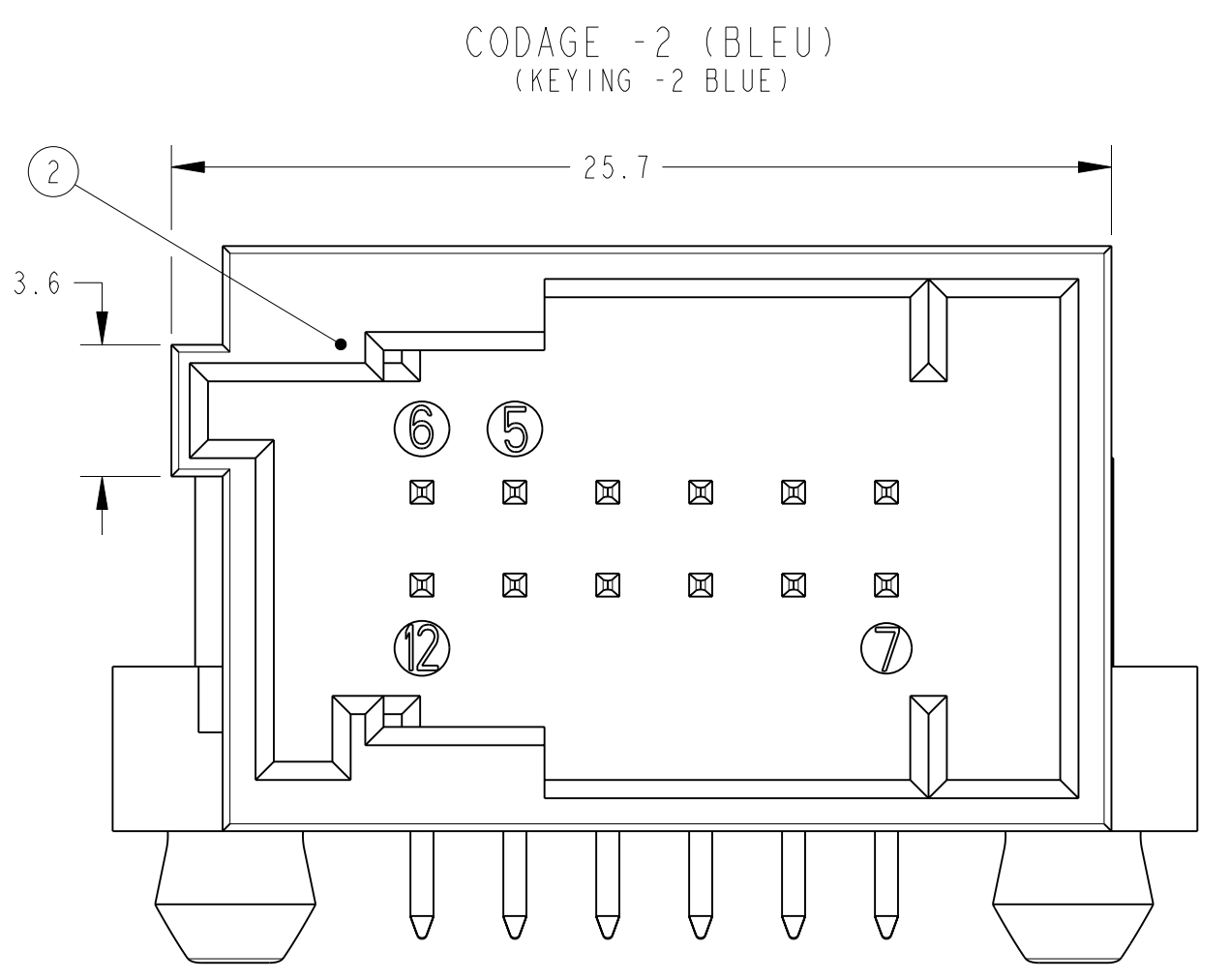
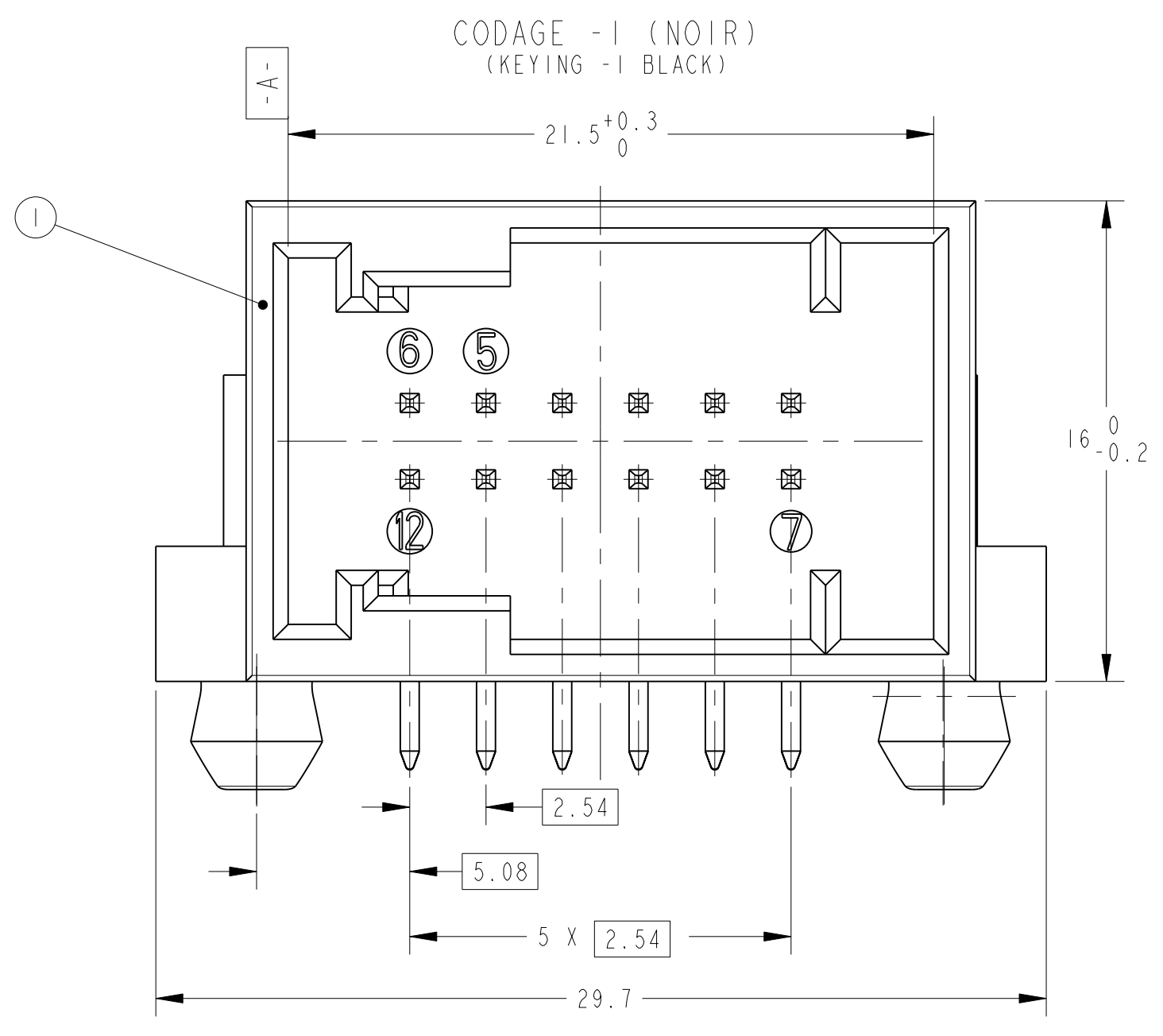
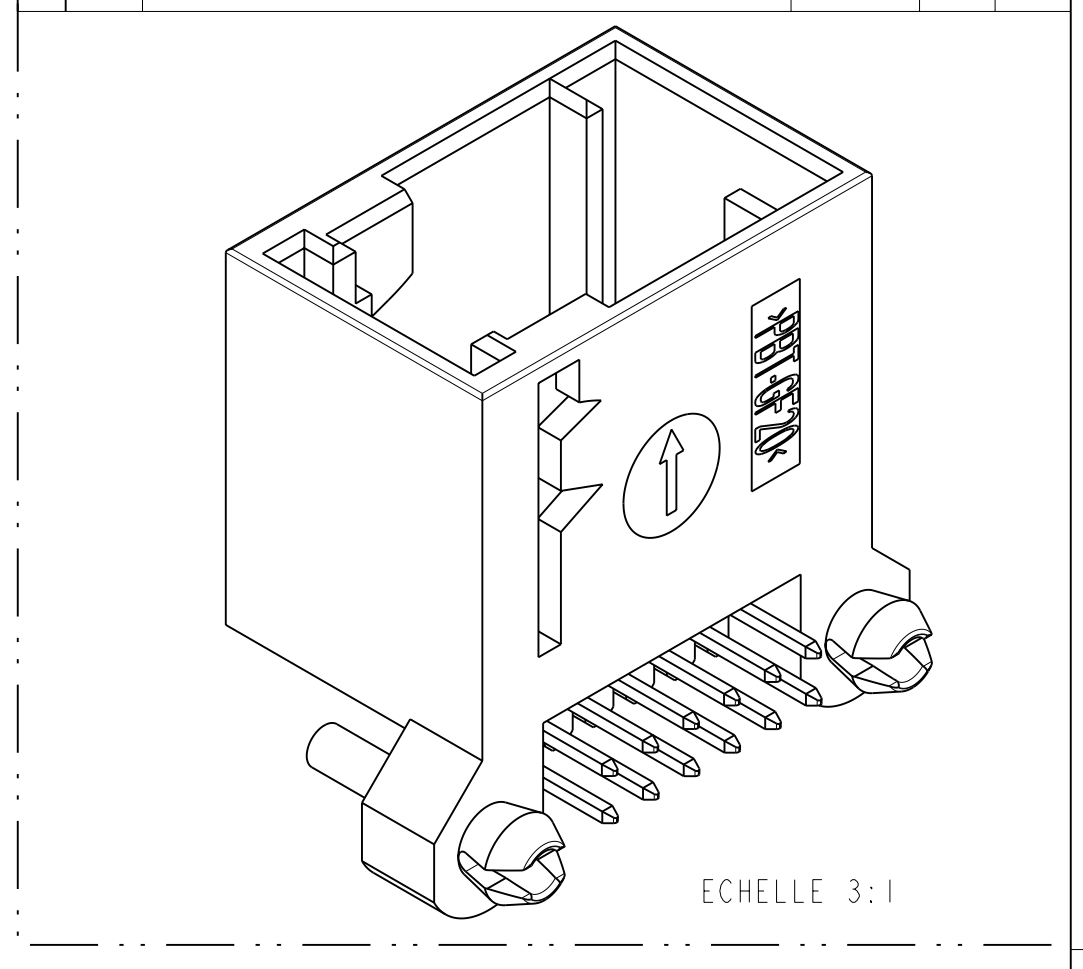
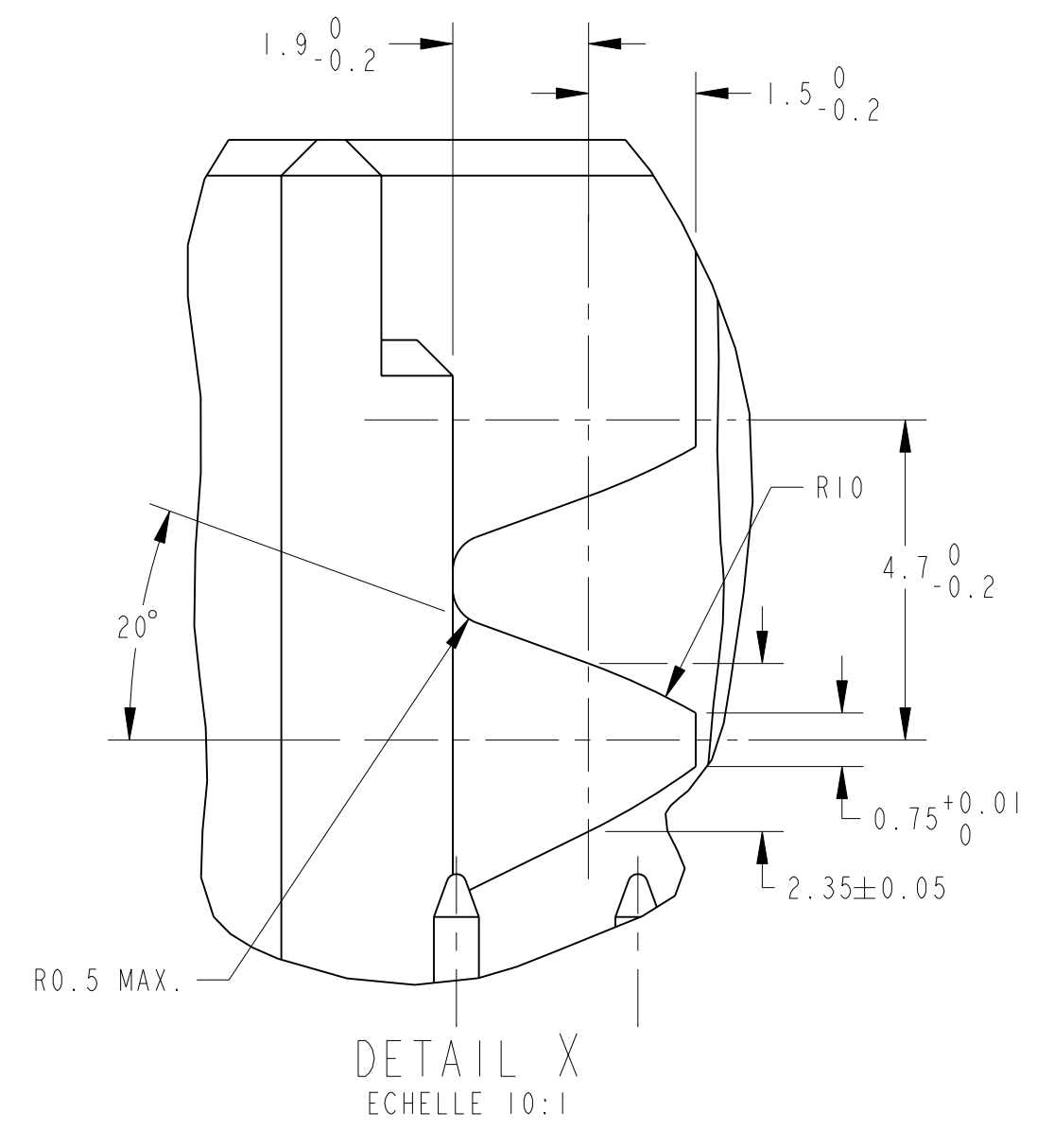
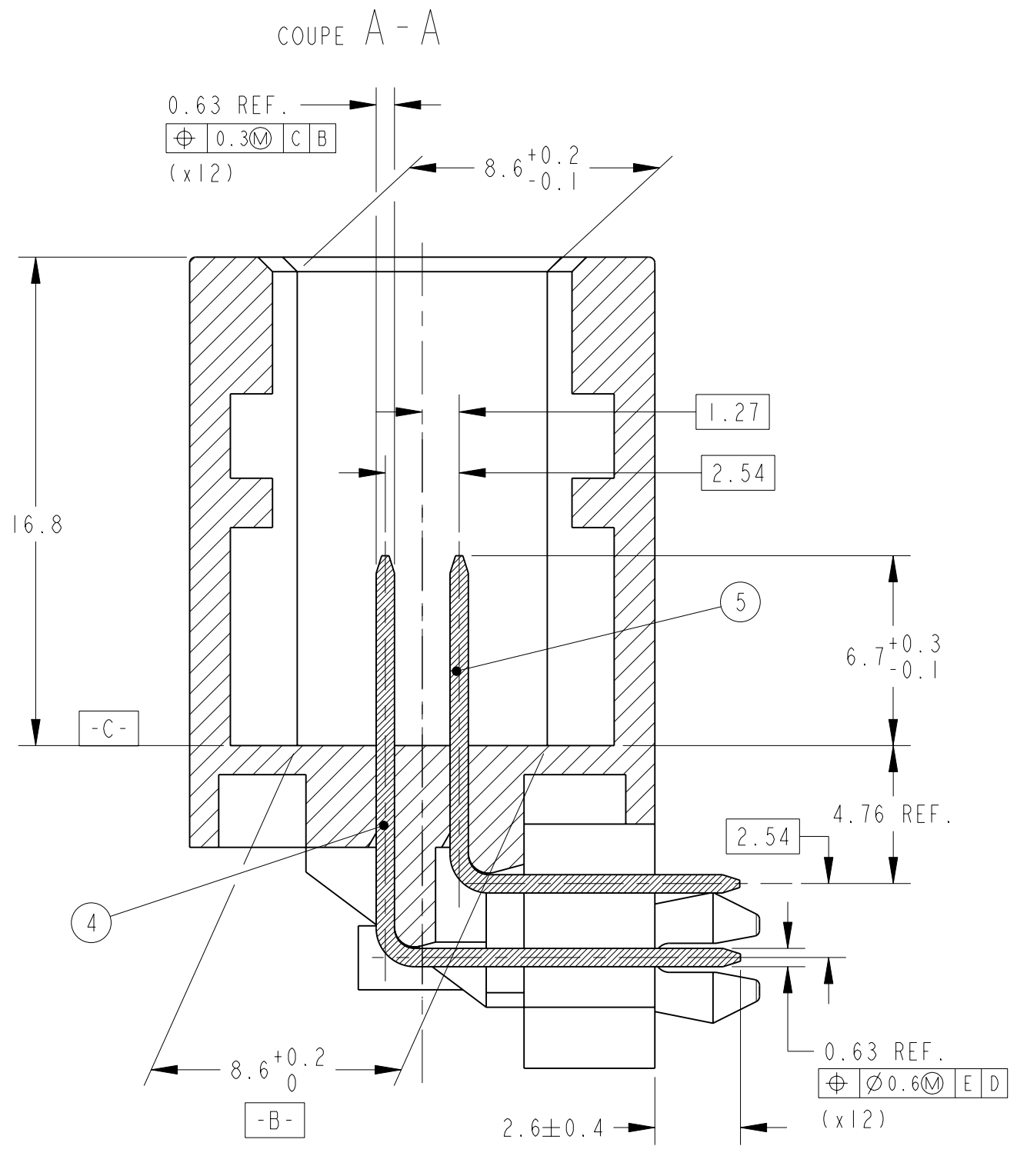
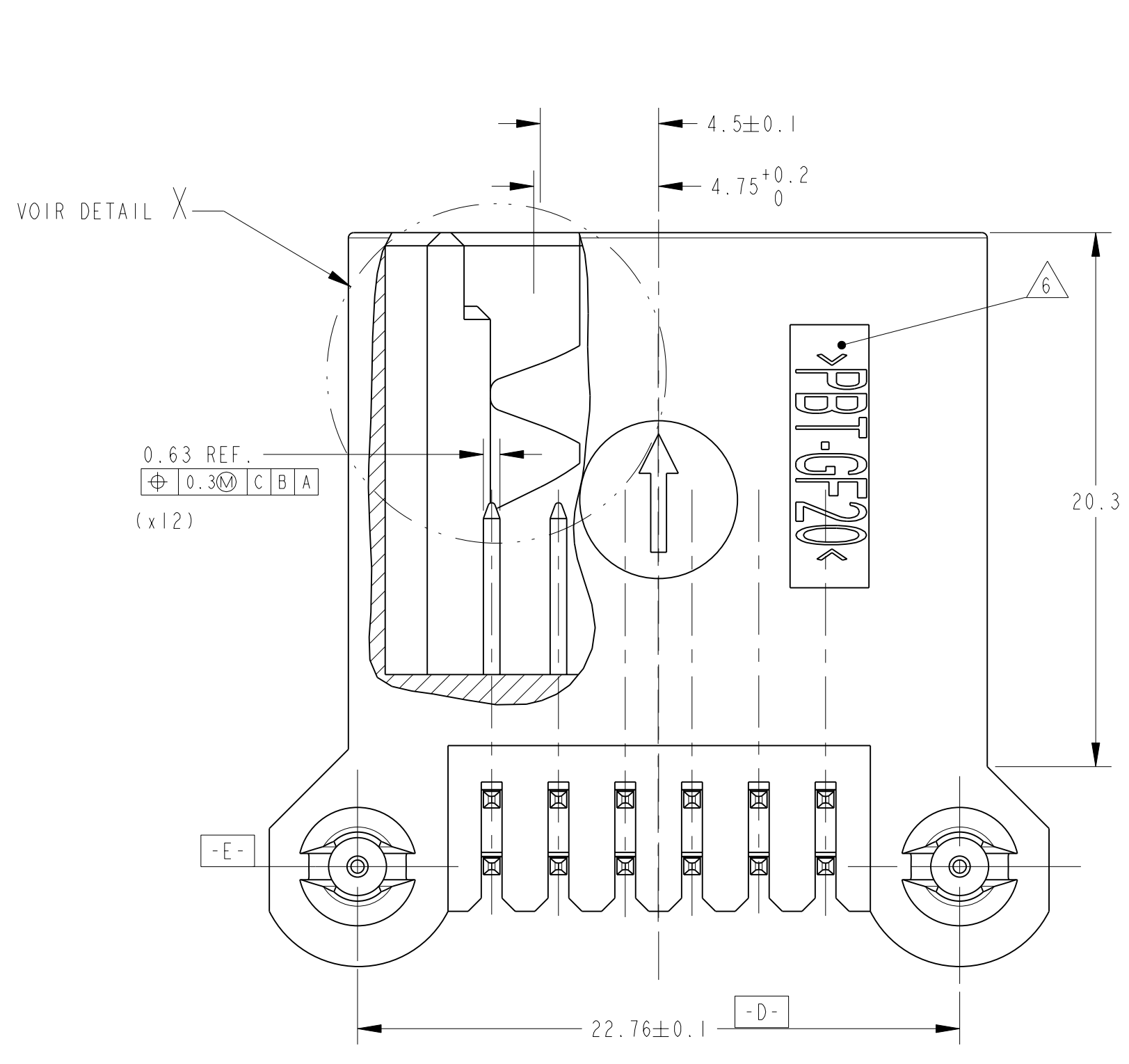
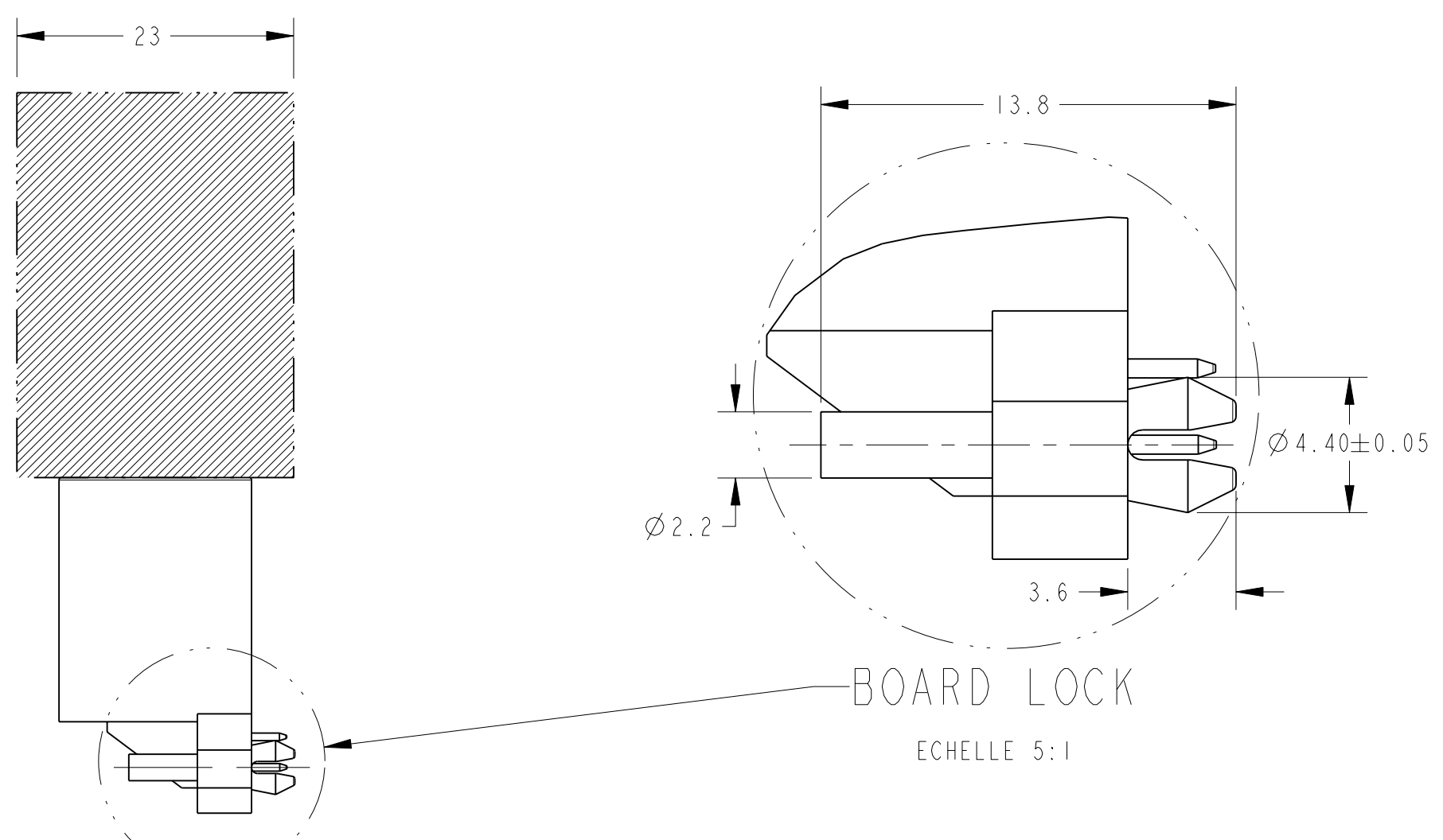
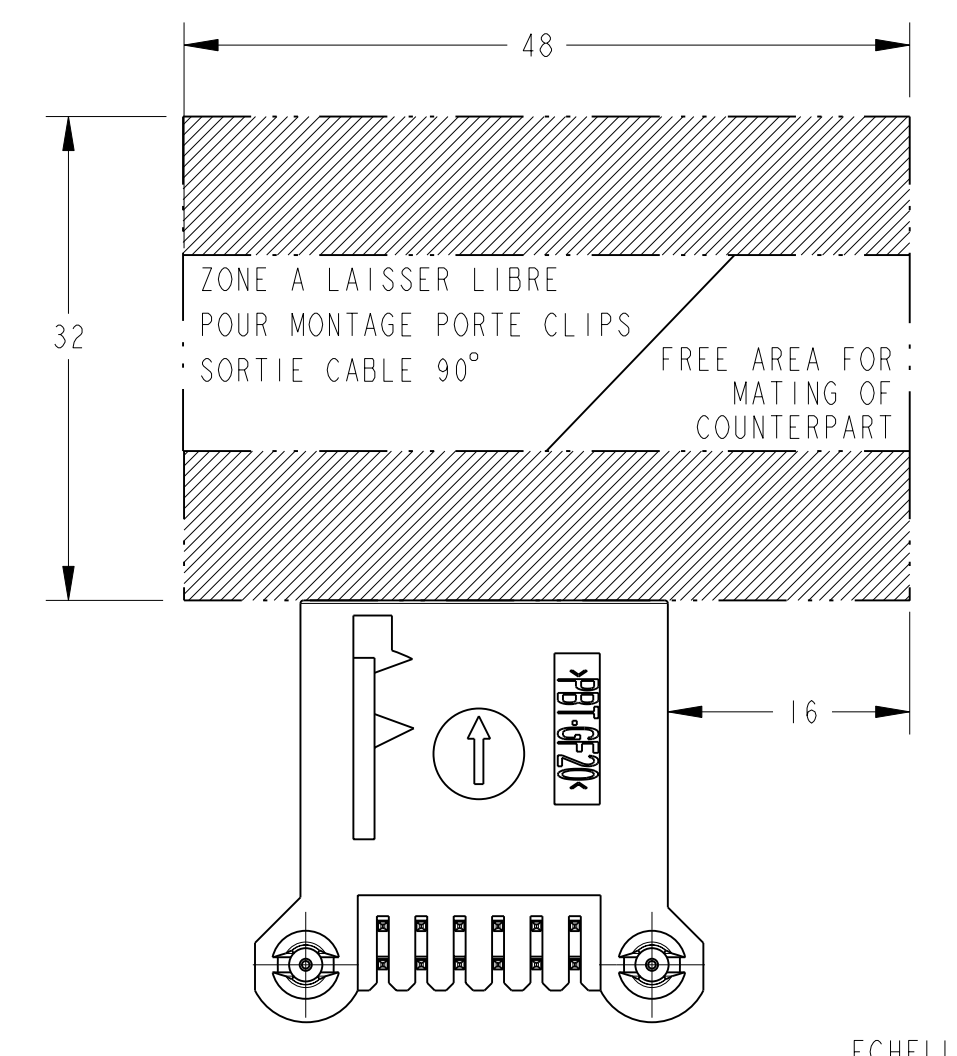


LOC	DIST	REV	DESCRIPTION	DATE	DWN	APP
F	-	D1	REVISED PER ECO-11-005150	30MAR2011	RK	HMR



- MARQUAGE (marking):**
- DATE DE FABRICATION ECHANGEABLE. (exchangeable manufacturing date).
 - LOGO "AMP" ("AMP" STAMP).
 - REFERENCE DU PRODUIT. (part number).
 - NUMERO D'EMPREINTE MOULE BOITIER. (mold cavity identification number).
 - REPERE ALVEOLE. (cavity marking).
 - IDENTIFICATION DE LA MATIERE. (material identification).
 - ACCORDING TO SPEC: 208-15544 AND 208-15574. (en accord avec les specs: 208-15544 et 208-15574).



ASSY PN	1-185740-2	185740-3	185740-2	185740-1				
6	-	-	-	-	CuSn6	BROCHE MOS COURTE (short pin MOS contact)	DORURE SELECTIVE (selective gold plating) 0.4µm mini Au sur/over 1µm mini Ni	5
6	-	-	-	-	CuSn6	BROCHE MOS LONGUE (long pin MOS contact)	DORURE SELECTIVE (selective gold plating) 0.4µm mini Au sur/over 1µm mini Ni	4
-	6	6	6	6	CuSn6	BROCHE MOS COURTE (short pin MOS contact)	POST-ETAME (post-fin)	5
-	6	6	6	6	CuSn6	BROCHE MOS LONGUE (long pin MOS contact)	POST-ETAME (post-fin)	4
-	1	-	-	-	PBT 20%GF	EMBASE CODAGE -3 (header keying -3)	MARRON (brown)	3
1	-	1	-	-	PBT 20%GF	EMBASE CODAGE -2 (header keying -2)	BLEU (blue)	2
-	-	-	1	1	PBT 20%GF	EMBASE CODAGE -1 (header keying -1)	NOIR (black)	1
QUANTITE (quantity)		MATIERE (material)		DESIGNATION (description)		FINITION (finish)		REP (item)

THIS DRAWING IS A CONTROLLED DOCUMENT.		DWN/DSSINE: 27-Aug-96		A. DUBOIS	
DIMENSIONS: mm		TOLERANCES UNLESS OTHERWISE SPECIFIED (SUIVY NB DE DECIMALES):		J. LAQUERRE	
TOLERANCES UNLESS OTHERWISE SPECIFIED (SUIVY NB DE DECIMALES):		0 PLC/DEC: #		APVD/APPROVE: 27-Aug-96	
1 PLC/DEC: #0.1		1 PLC/DEC: #0.1		NAME: EMBASE COUDEE MOS	
2 PLC/DEC: #0.30		2 PLC/DEC: #0.30		TYPE: 12 BROCHES AVEC BOARD LOCKS	
3 PLC/DEC: #0.001		3 PLC/DEC: #0.001		HEADER ASSY 12 POS WITH BOARD-LOCK	
4 PLC/DEC: #0.3000		4 PLC/DEC: #0.3000		APPLICATION SPEC: -	
ANGLES: #		ANGLES: #		SPEC. APPLICATION: -	
MATERIAL MATIERE		FINISH FINITION		WEIGHT MASSE APPROX.:	
MATERIAL MATIERE		FINISH FINITION		WEIGHT MASSE APPROX.:	
CUSTOMER DRAWING /PLAN CLIENT		UNIQUEMENT POUR REFERENCE		SCALE ECHELLE 5:1	
CUSTOMER DRAWING /PLAN CLIENT		UNIQUEMENT POUR REFERENCE		SCALE ECHELLE 5:1	

Mouser Electronics

Authorized Distributor

Click to View Pricing, Inventory, Delivery & Lifecycle Information:

[TE Connectivity:](#)

[185740-3](#)