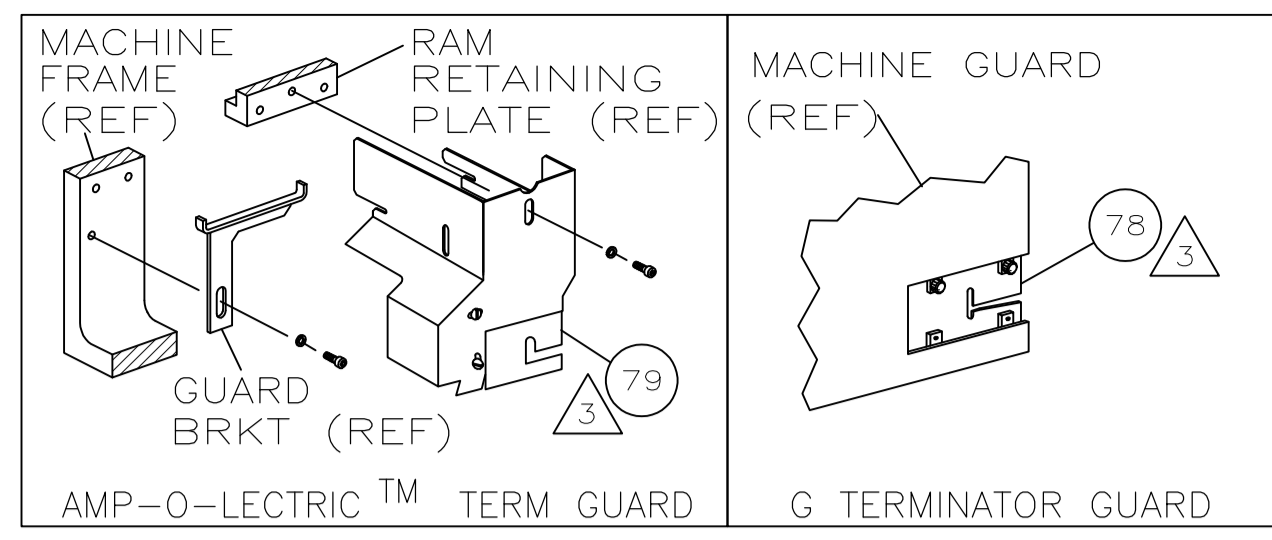


THIS DRAWING IS UNPUBLISHED. RELEASED FOR PUBLICATION. ALL RIGHTS RESERVED.

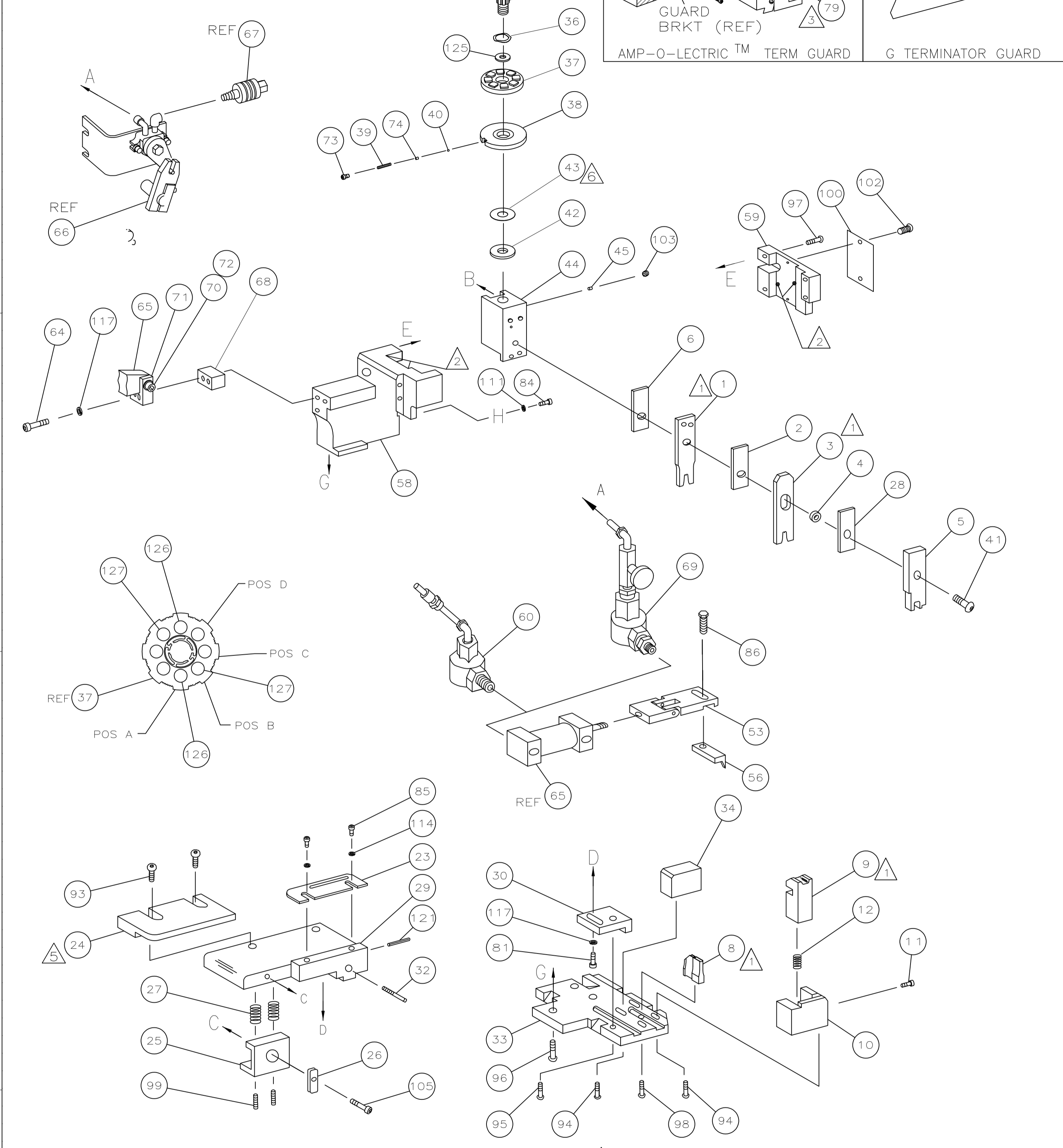
PART NUMBER	REV	FIRST USED
1852016-1	C	122500-1
1852016-2	C	565435-5
1852016-3	C	354500-1



TERMINAL NAME: VERTICAL BULKHEAD CABLE RECP

AMP TERMINAL	AMP CRIMP SPECS
PAD LTR	CRIMP HEIGHT
A	.092 ±.002 [2.34 ±0.05mm]
B	.084 ±.002 [2.13 ±0.05mm]
C	NOT
D	NOT
CRIMP	SIZE
WIRE	.136 [3.45mm]
INSUL	.170 [4.32mm]
WIRE STRIP LENGTH	TERM APPL SPEC
.235-.265	NONE
FEED	APPL INSTRUCTION
.900	408-8040
SET UP GAGE	LAYOUT
458637-1	L2862

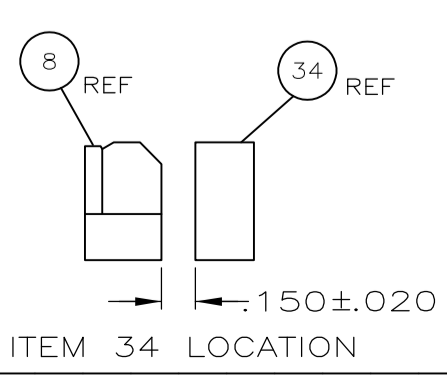
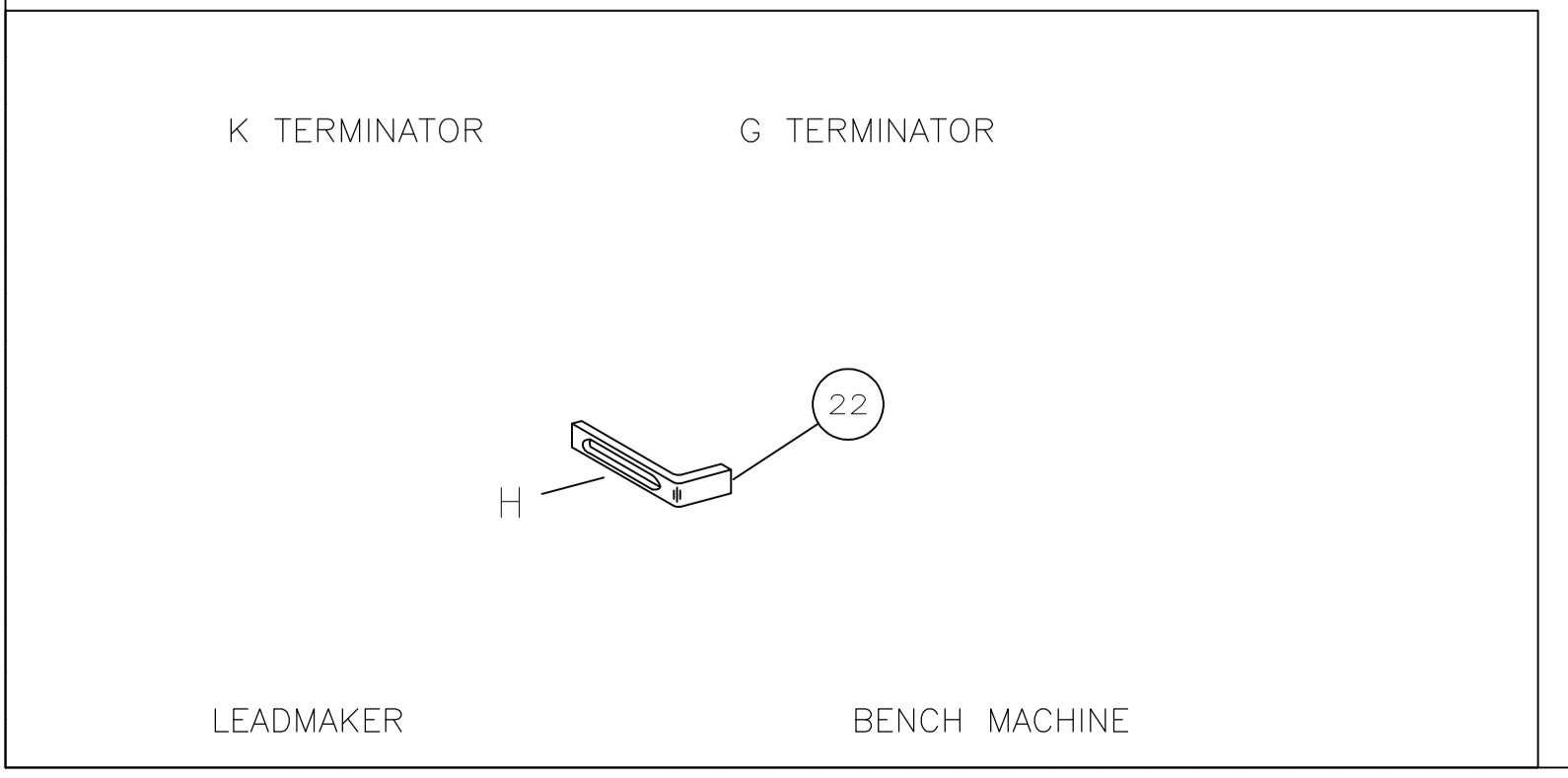
LOC	DIST	REV	DESCRIPTION	DATE	OWN	APVD
A	66	C	ECR-08-023780	9-2008	MY	GB



- 1 RECOMMENDED SPARE PARTS.
- 2 GREASE LIGHTLY.
- 3 GUARD MUST BE IN PLACE WHEN OPERATING APPLICATOR IN A BENCH MACHINE.
- 4 SEE DRAWING FOR COMPONENTS
- 5 REAR STRIP GUIDE TO GUIDE ON INSULATION BARREL.
- 6 ITEM 43, TRIM TO FIT OUTSIDE DIAMETER OF ITEM 42 IN ASSY

QTY REQD PER ASSY	PART NO	DESCRIPTION	ITEM NO
1	129		129
1	128		128
2	8-354778-6	PIN, WIRE DISC (.2925)B	127
2	7-354778-0	PIN, WIRE DISC (.2845)A	126
1	986950-1	WASHER, FLAT PRECISION	125
1	217238-1	GENERAL INSTRUCTION PACKAGE	124
1	4088040	SF APPL INST 408-8040	123
1	1		122
1	4-21028-0	PIN,SLT SPR(Ø.093x.75)ST GDE PL	121
1	1		120
1	1		119
1	1		118
3	3		117
2	2		116
2	2		115
2	2		114
1	1		113
1	1		112
1	1		111
1	1		110
1	1		109
1	1		108
1	1		107
1	1		106
1	1		105
1	1		104
1	1		103
2	2		102
1	1		101
1	1		100
2	2		99
1	1		98
4	4		97
3	3		96
1	1		95
4	4		94
2	2		93
1	1		92
1	1		91
1	1		90
1	1		89
1	1		88
1	1		87
1	1		86
2	2		85
1	1		84
1	1		83
1	1		82
1	1		81
1	1		80
1	1		79
REF	-		78
1	1		77
1	1		76
1	1		75
1	1		74
1	1		73
1	1		72
1	1		71
-3	-2		70
1	1		69
1	1		68
1	1		67
1	1		66
1	1		65
1	1		64
1	1		63
1	1		62
1	1		61
1	1		60
1	1		59
1	1		58
1	1		57
1	1		56
1	1		55
1	1		54
1	1		53
1	1		52
1	1		51
1	1		50
1	1		49
1	1		48
1	1		47
1	1		46
1	1		45
1	1		44
1	1		43
1	1		42
1	1		41
1	1		40
1	1		39
1	1		38
1	1		37
1	1		36
1	1		35
1	1		34
1	1		33
1	1		32
1	1		31
1	1		30
1	1		29
1	1		28
2	2		27
1	1		26
1	1		25
1	1		24
1	1		23
1	1		22
1	1		21
1	1		20
1	1		19
1	1		18
1	1		17
1	1		16
1	1		15
1	1		14
1	1		13
1	1		12
1	1		11
1	1		10
1	1		9
1	1		8
1	1		7
1	1		6
1	1		5
1	1		4
1	1		3
1	1		2
1	1		1

QTY REQD PER ASSY	PART NO	DESCRIPTION	ITEM NO
1	1		70
1	1		69
1	1		68
1	1		67
1	1		66
1	1		65
1	1		64
1	1		63
1	1		62
1	1		61
1	1		60
1	1		59
1	1		58
1	1		57
1	1		56
1	1		55
1	1		54
1	1		53
1	1		52
1	1		51
1	1		50
1	1		49
1	1		48
1	1		47
1	1		46
1	1		45
1	1		44
1	1		43
1	1		42
1	1		41
1	1		40
1	1		39
1	1		38
1	1		37
1	1		36
1	1		35
1	1		34
1	1		33
1	1		32
1	1		31
1	1		30
1	1		29
1	1		28
2	2		27
1	1		26
1	1		25
1	1		24
1	1		23
1	1		22
1	1		21
1	1		20
1	1		19
1	1		18
1	1		17
1	1		16
1	1		15
1	1		14
1	1		13
1	1		12
1	1		11
1	1		10
1	1		9
1	1		8
1	1		7
1	1		6
1	1		5
1	1		4
1	1		3
1	1		2
1	1		1



THIS DRAWING IS A CONTROLLED DOCUMENT.

DIMENSIONS: INCHES	TOLERANCES UNLESS OTHERWISE SPECIFIED:	0 PLC ± .005	1 PLC ± .002	2 PLC ± .001	3 PLC ± .0005	4 PLC ± .0002	ANGLES ± .005
MATERIAL	FINISH	WEIGHT	SIZE	CAGE CODE	DRAWING NO	RESTRICTED TO	
			A1	00779	1852016		

CUSTOMER DRAWING SCALE SHEET 1 of 1 REV C

Mouser Electronics

Authorized Distributor

Click to View Pricing, Inventory, Delivery & Lifecycle Information:

[TE Connectivity:](#)

[1852016-3](#)