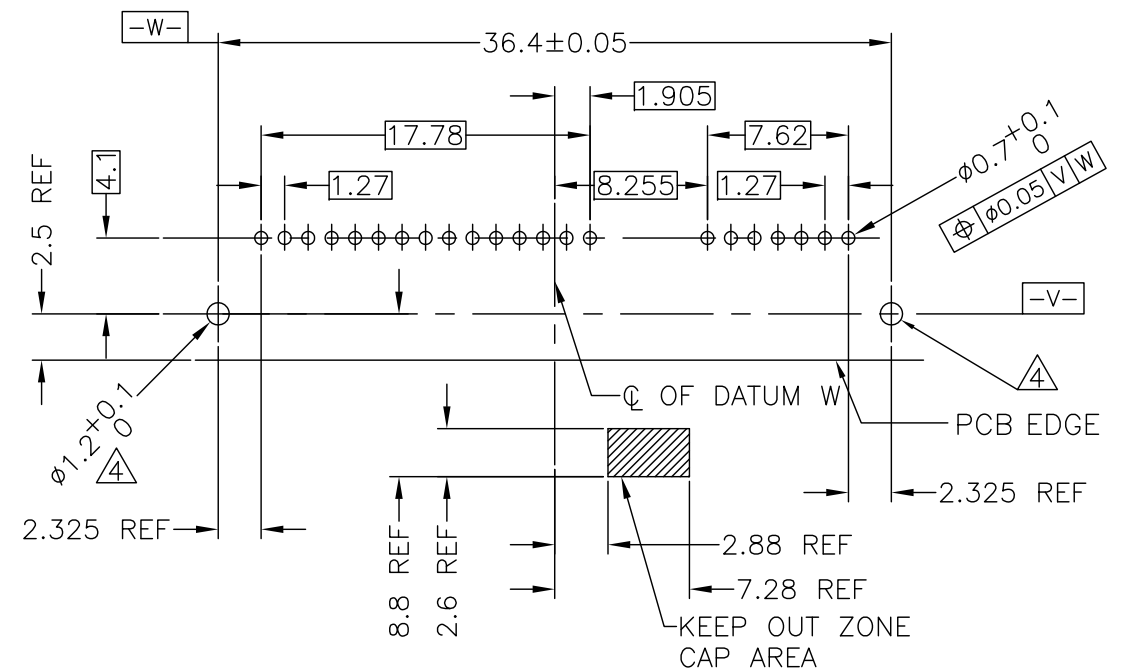
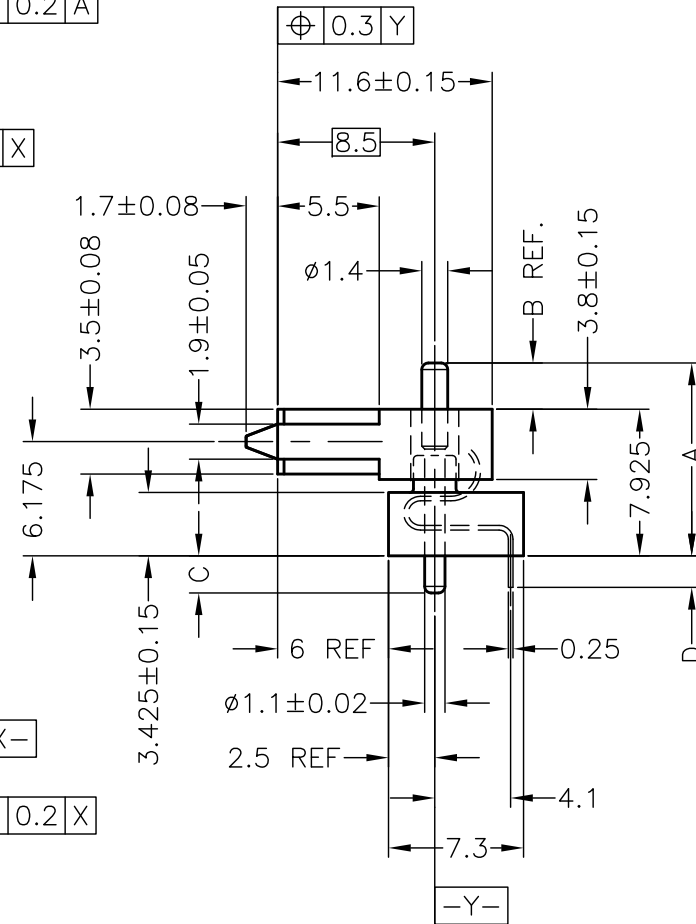
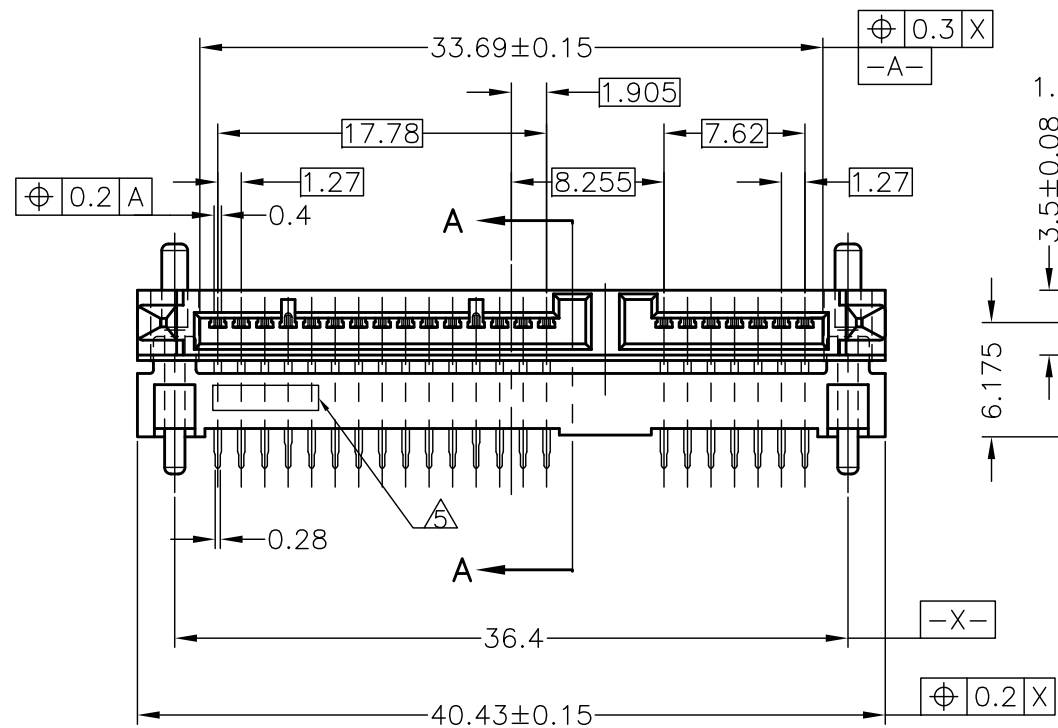
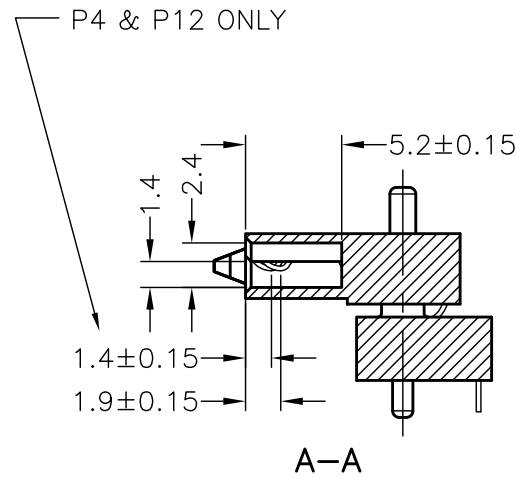
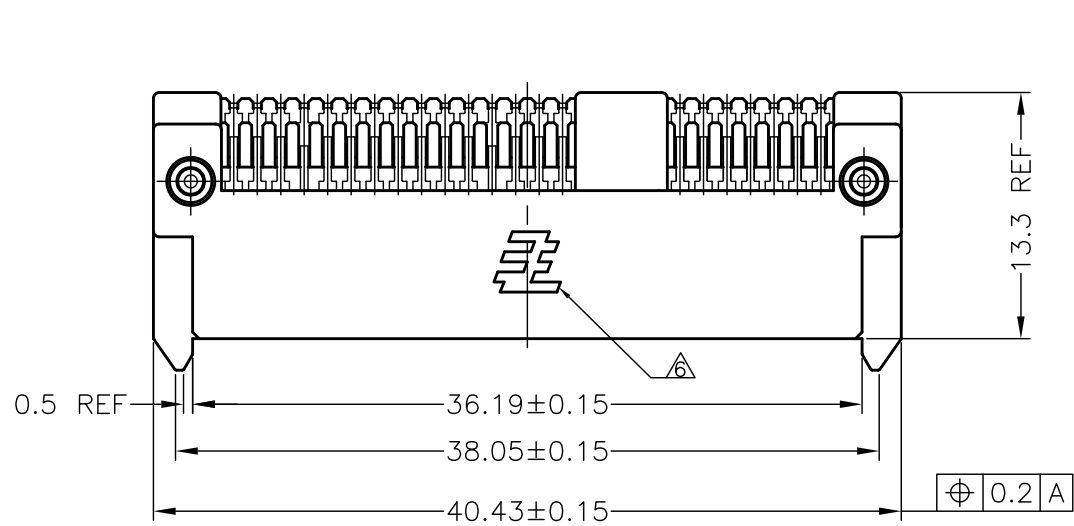


LOC	DIST	REVISIONS					
J		P	LTR	DESCRIPTION	DATE	DWN	APVD
		G4		REVISED (ECR-13-001920)	03JUL2013	B.W	V.P

- NOTES: CONNECTOR
- ① MATERIAL:  
 HOUSING: THERMOPLASTIC HIGH TEMP., UL94V-0,  
 COLOR: BLACK.  
 CONTACT: PHOSPHOR BRONZE  
 PIN: BRASS  
 TRAY: PS 0.8t (COLOR, WHITE)  
 EMBOSS TAPE: PS, COLOR: CLEAR  
 COVER TAPE: PET
  - ② FINISH:  
 CONTACT: GOLD PLATING ON CONTACT AREA  
 TIN MATTE PLATING ON SOLDER TAILS  
 NICKEL UNDERPLATED OVER ALL  
 PIN: TIN MATTE PLATING OVER ALL  
 NICKEL UNDERPLATED OVER ALL
  - 3. QTY: 30 PRODUCTS / TRAY  
 150 PRODUCTS / REEL
  - ④ PIN MUST BE SOLDERED WITH PCB.
  - ⑤ DATE CODE AND ASSY MACHINE ID
  - ⑥ TE LOGO MUST BE CLEAR AND LEGIBLE.



REFERENCE PCB LAYOUT  
 REFERENCE PCB THICKNESS t=1.2

1.2	1.4	1.5 REF.	9.425	1827334-5
1.7	2	1.5 REF.	9.425	1827334-4
1.7	2	2.5 REF.	10.425	1827334-3
				1827334-2
1.7	2	2.5 REF.	10.425	1827334-1
D	C	B REF.	A	P/N

OBSELETE

AS SHOWN : WITHOUT CAP

THIS DRAWING IS A CONTROLLED DOCUMENT.		DWN	M.UMEHARA	27APR2005
DIMENSIONS: 單位: 耗 mm		CHK	A.KUBO	27APR2005
TOLERANCES UNLESS OTHERWISE SPECIFIED: 一般公差		APVD	Y.YAMAMOTO	27APR2005
0 PLC ± 0.2		NAME 名称		
1 PLC ± 0.2		REC ASSY		
2 PLC ± 0.2		A-FREE S-ATA H6.175		
3 PLC ± 0.2		SIZE		
4 PLC ± 0.2		CAGE CODE		
ANGLES ± 3'		DRAWING NO 番号		
MATERIAL 材料		A3 00779		
FINISH 仕上		1827334		
①		RESTRICTED TO		
②		SCALE 尺度		
CUSTOMER DRAWING		NTS		
		SHEET		
		1 OF 4		
		REV		
		G4		

4

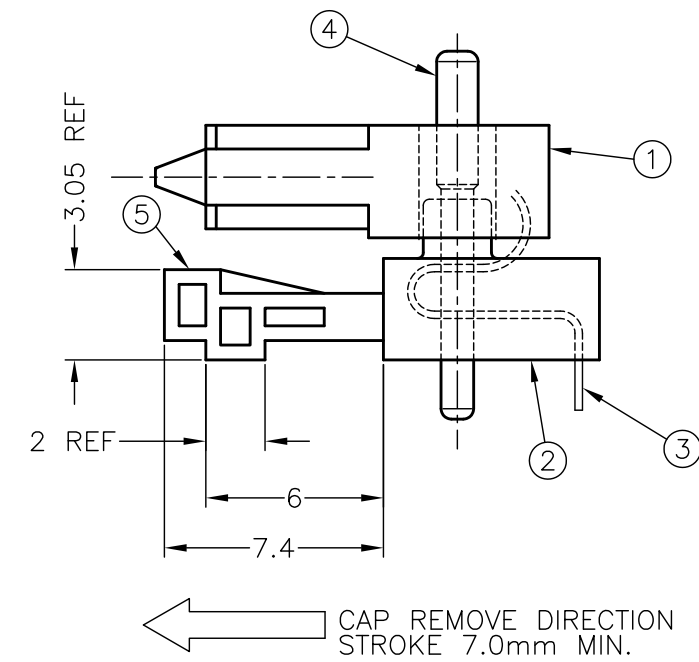
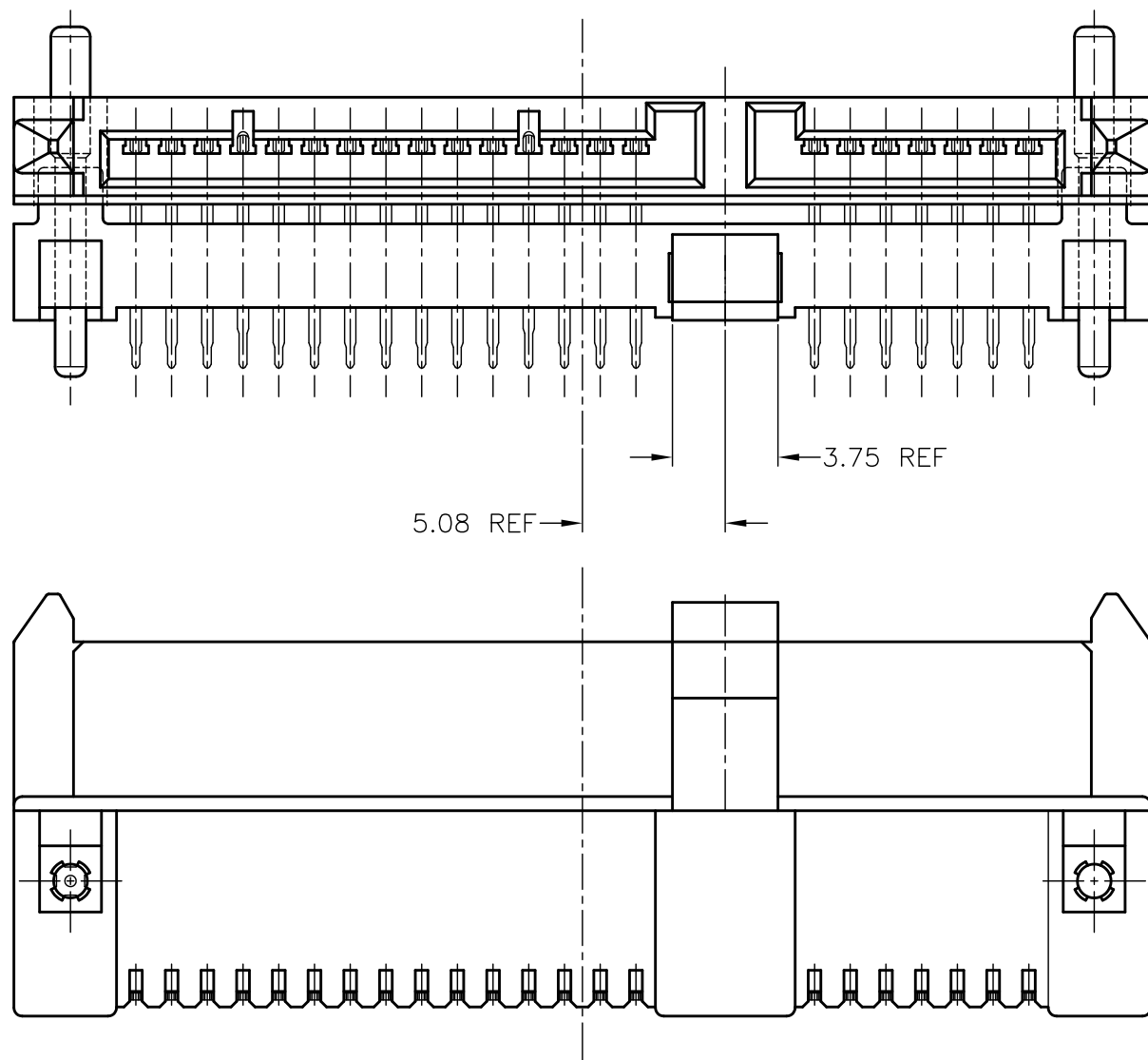
3

2

1

THIS DRAWING IS UNPUBLISHED. RELEASED FOR PUBLICATION ,2005.  
 © COPYRIGHT 2005 By - ALL RIGHTS RESERVED.

LOC	DIST	REVISIONS					
J		P	LTR	DESCRIPTION	DATE	DWN	APVD
		-		SEE SHEET 1	-	-	-



CAP	5
PIN	4
CONTACT	3
LOWER HOUSING	2
UPPER HOUSING	1
PART LIST	ITEM NO.

THIS DRAWING IS A CONTROLLED DOCUMENT.		DWN		TE Connectivity	
DIMENSIONS: 單位: 耗 mm		CHK			
TOLERANCES UNLESS OTHERWISE SPECIFIED: 一般公差		APVD		NAME 名稱	
0 PLC ±		PRODUCT SPEC 製品規格		REC ASSY	
1 PLC ±		APPLICATION SPEC 取付適用規格		A-FREE S-ATA H6.175	
2 PLC ±		WEIGHT		SIZE CAGE CODE DRAWING NO 番号	
3 PLC ±		CUSTOMER DRAWING		A3 00779 1827334	
4 PLC ±		SCALE 尺度 4:1		RESTRICTED TO	
ANGLES ±		SHEET 2 OF 4		REV G4	
MATERIAL 材料		FINISH 仕上			

AS SHOWN : WITH CAP

4

3

2

1

THIS DRAWING IS UNPUBLISHED. RELEASED FOR PUBLICATION ,2005.  
 © COPYRIGHT 2005 By - ALL RIGHTS RESERVED.

LOC	DIST	REVISIONS					
J		P	LTR	DESCRIPTION	DATE	DWN	APVD
		-		SEE SHEET 1	-	-	-

D

C

B

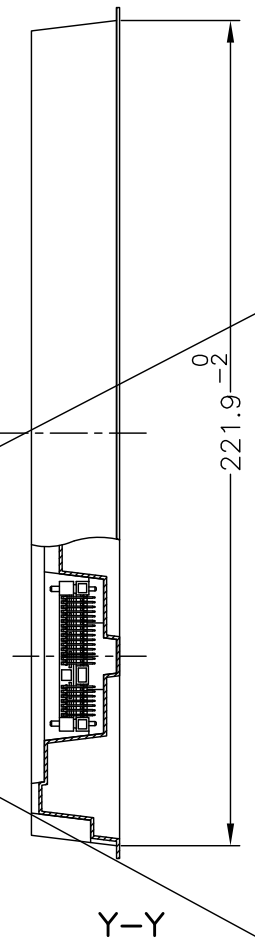
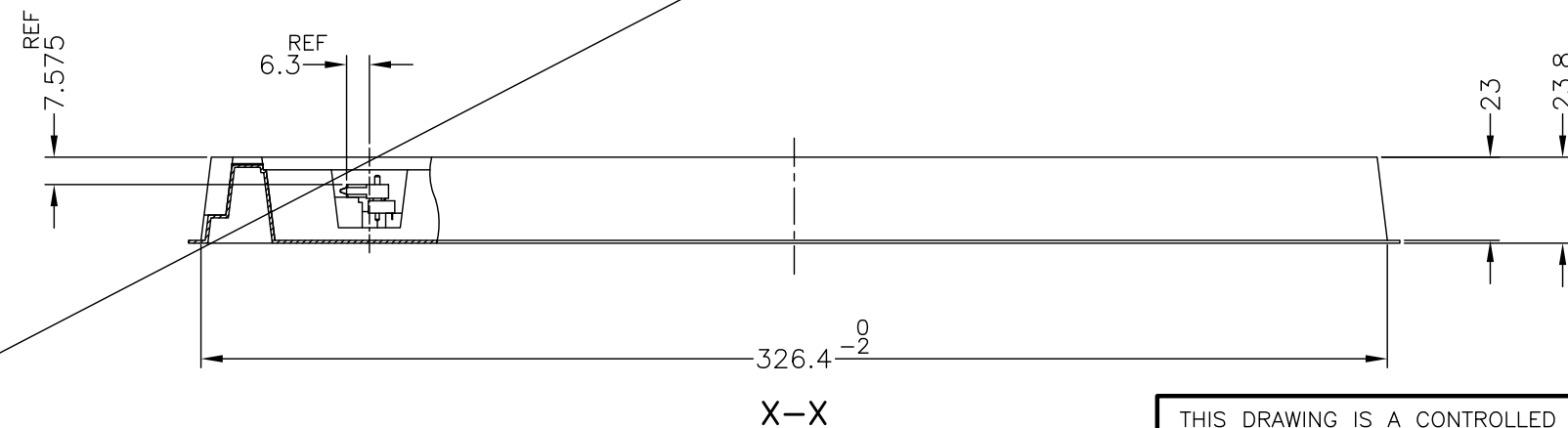
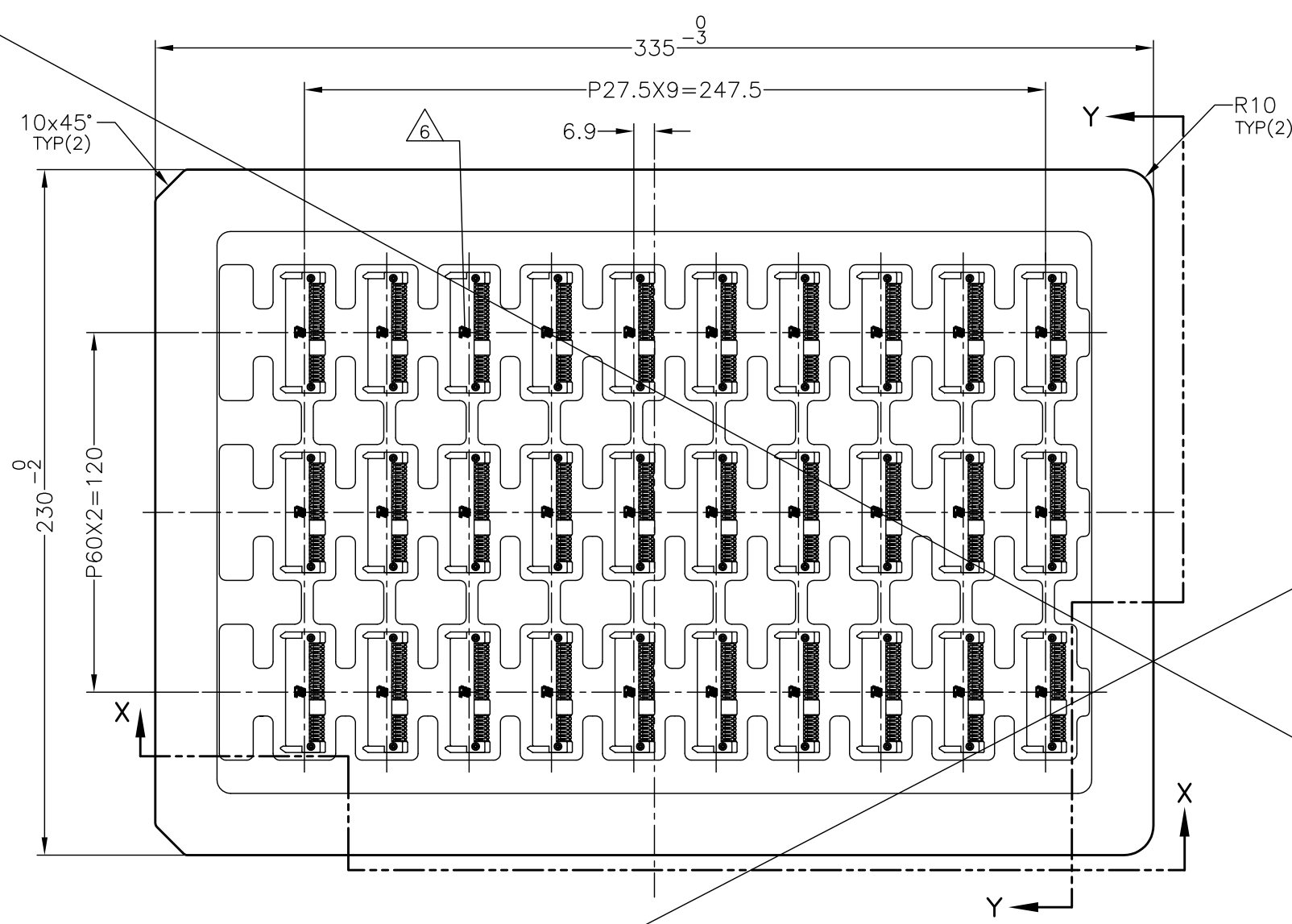
A

D

C

B

A



AS SHOWN :  
 1827334-1 (TRAY, W/O CAP)  
 1827334-3 (TRAY, WITH CAP)

THIS DRAWING IS A CONTROLLED DOCUMENT.		DWN		TE Connectivity	
DIMENSIONS: 單位: 耗 mm		CHK			
TOLERANCES UNLESS OTHERWISE SPECIFIED: 一般公差		APVD		NAME 名称	
0 PLC ± 1 PLC ± 2 PLC ± ±1.0 3 PLC ± 4 PLC ± ANGLES ±		PRODUCT SPEC 製品規格		REC ASSY A-FREE S-ATA H6.175	
MATERIAL 材料		FINISH 仕上		APPLICATION SPEC 取付適用規格	
		WEIGHT		SIZE CAGE CODE DRAWING NO A3 00779 1827334	
		CUSTOMER DRAWING		RESTRICTED TO	
		SCALE 尺度 1:2		SHEET 3 OF 4	
				REV G4	

4

3

2

1

THIS DRAWING IS UNPUBLISHED. RELEASED FOR PUBLICATION ,2005.  
 ALL RIGHTS RESERVED.

LOC	DIST	REVISIONS					
J		P	LTR	DESCRIPTION	DATE	DWN	APVD
		-	-	SEE SHEET 1	-	-	-

D

C

B

A

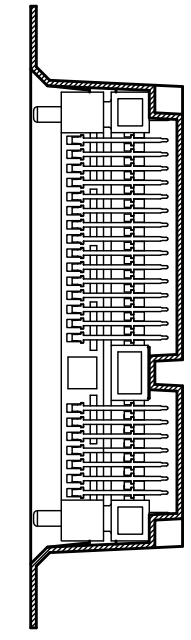
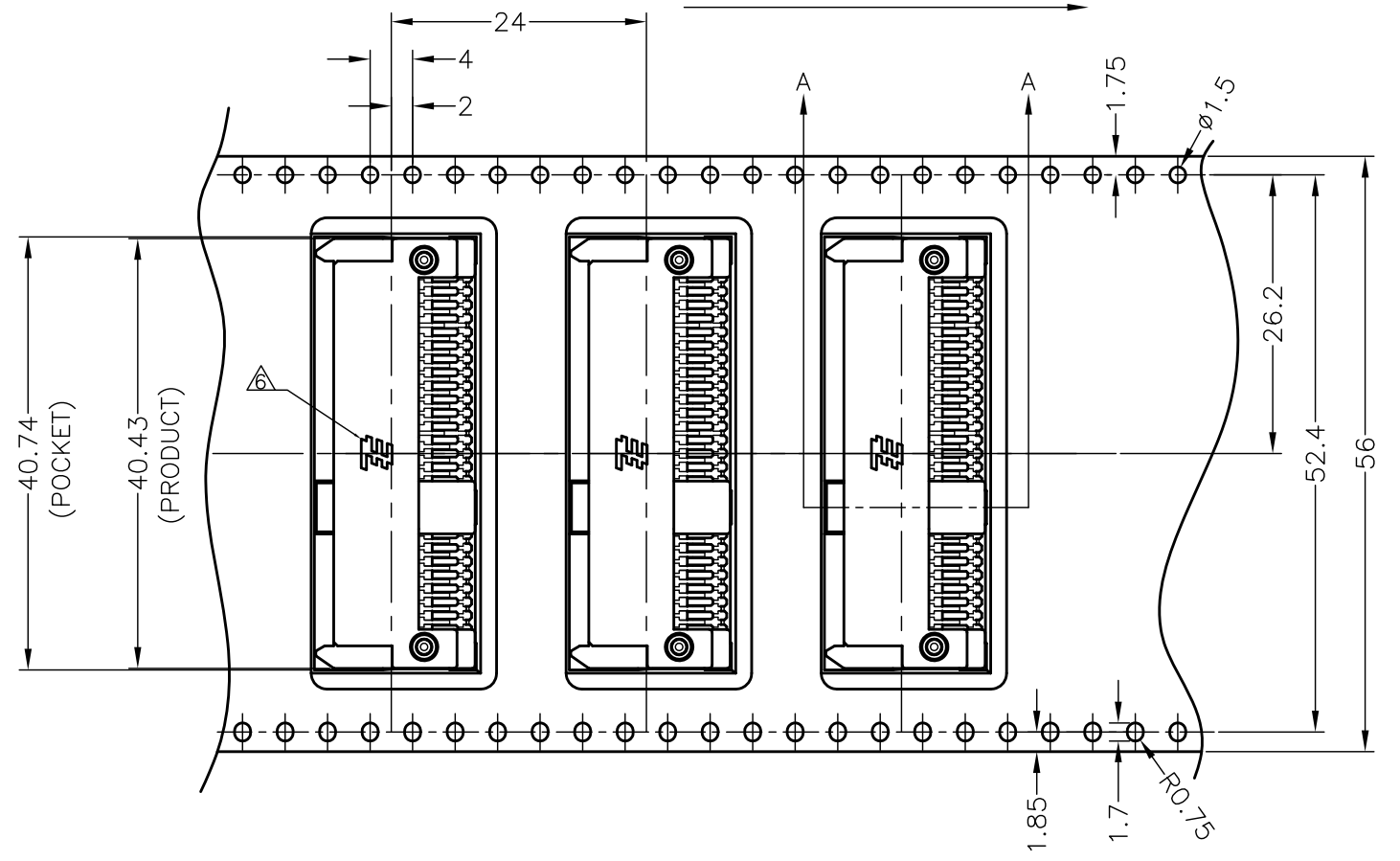
D

C

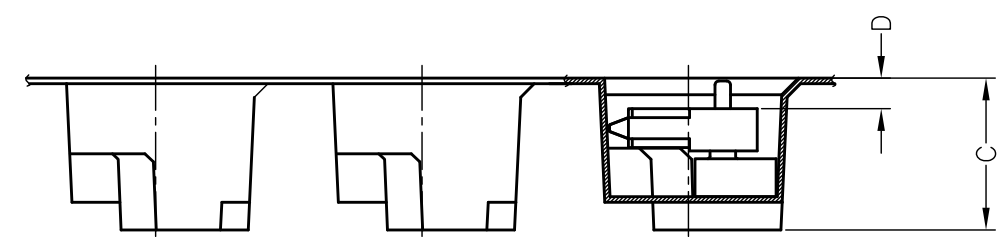
B

A

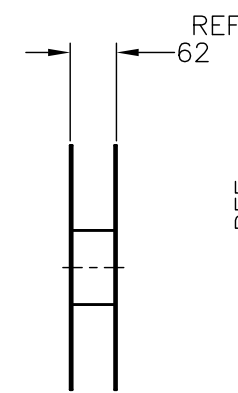
DIRECTION OFF TOP OF REEL



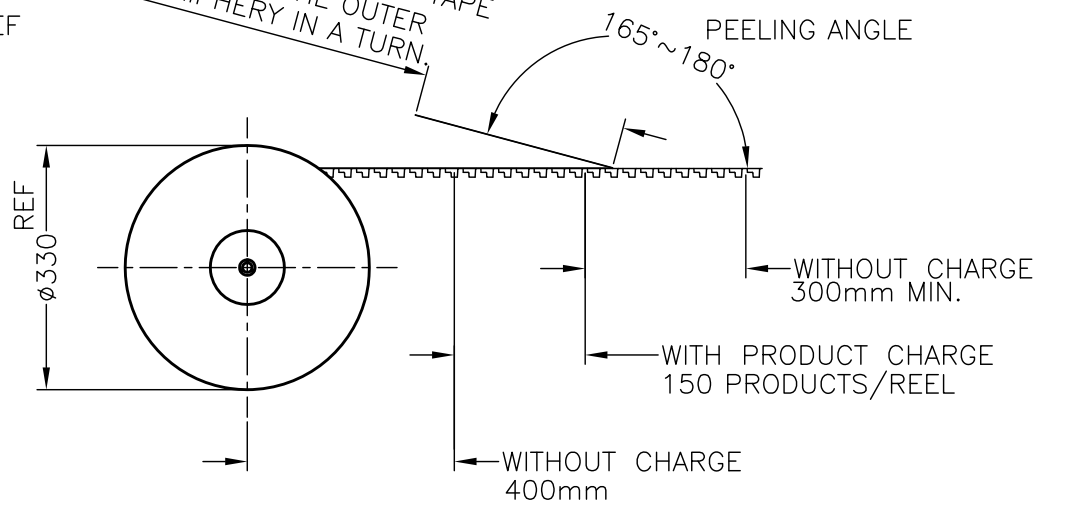
1.755	12.68	1827334-5
1.755	12.68	1827334-4
2.755	13.68	1827334-2
DIM. D	DIM. C	P/N



SECTION A-A



WINDING THE COVER TAPE  
 AROUND THE OUTER  
 PERIPHERY IN A TURN.



AS SHOWN :  
 1827334-2 (TAPE & REEL, W/O CAP)  
 1827334-4 (TAPE & REEL, WITH CAP)

THIS DRAWING IS A CONTROLLED DOCUMENT.		DWN		TE Connectivity	
DIMENSIONS: 單位: 耗 mm		CHK			
TOLERANCES UNLESS OTHERWISE SPECIFIED: 一般公差		APVD		NAME 名稱	
0 PLC ± 1 PLC ± 2 PLC ± ±0.3 3 PLC ± 4 PLC ± ANGLES ±		PRODUCT SPEC 製品規格		REC ASSY A-FREE S-ATA H6.175	
MATERIAL 材料		WEIGHT		SIZE CAGE CODE DRAWING NO A3 00779 1827334	
FINISH 仕上		CUSTOMER DRAWING		RESTRICTED TO	
		SCALE 尺度 NTS		SHEET 4 OF 4	
				REV G4	

# Mouser Electronics

Authorized Distributor

Click to View Pricing, Inventory, Delivery & Lifecycle Information:

[TE Connectivity:](#)

[1827334-4](#)