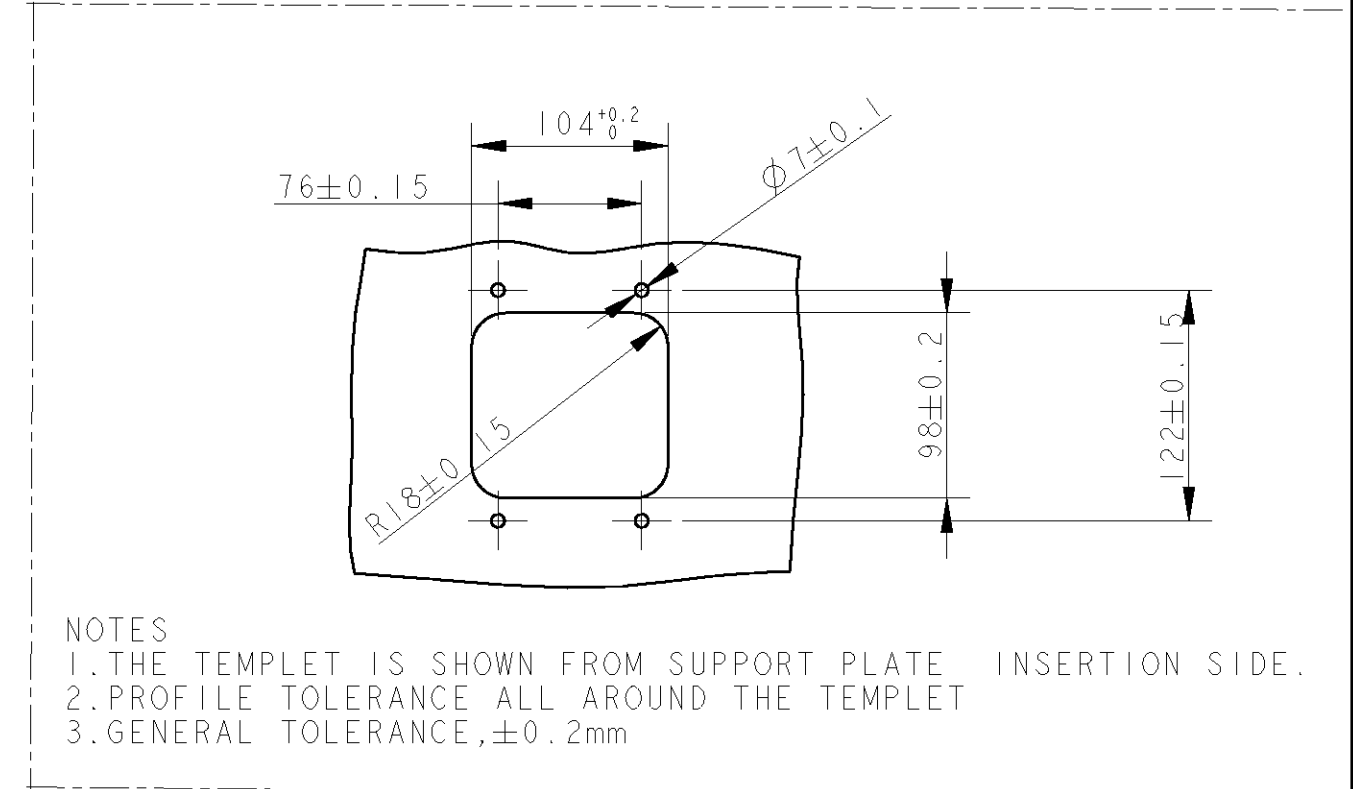
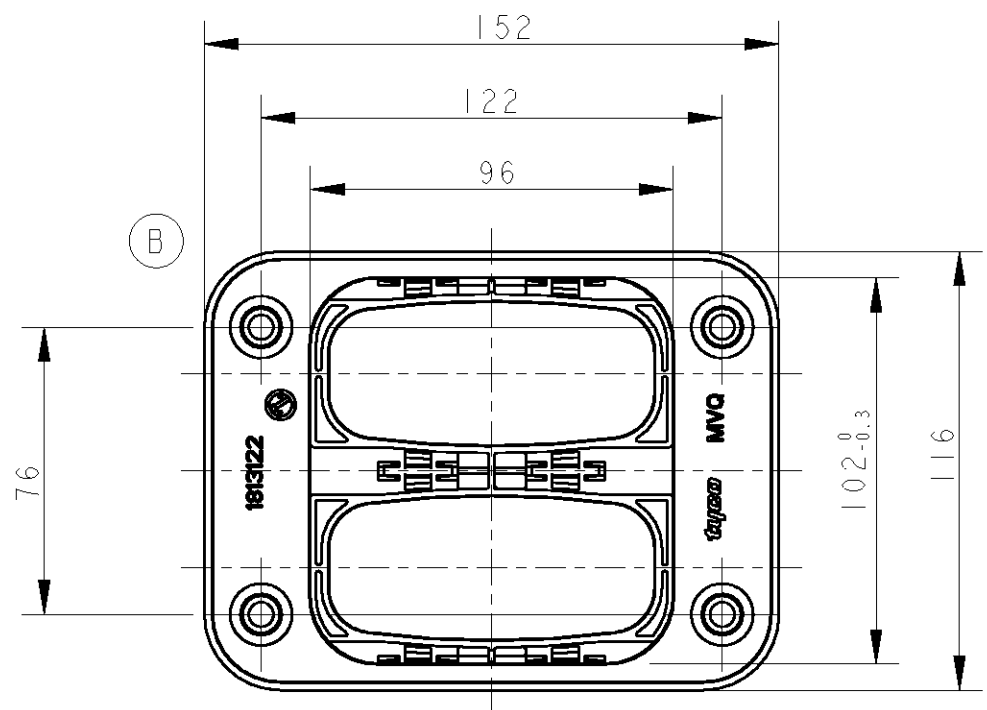
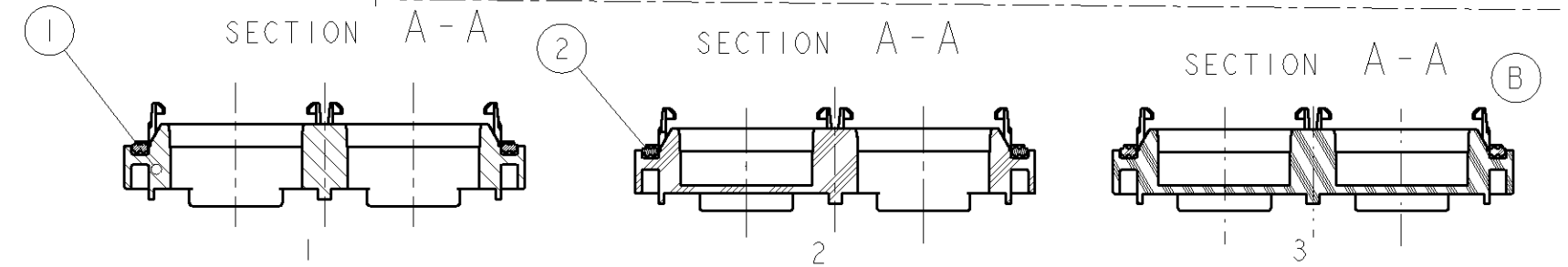
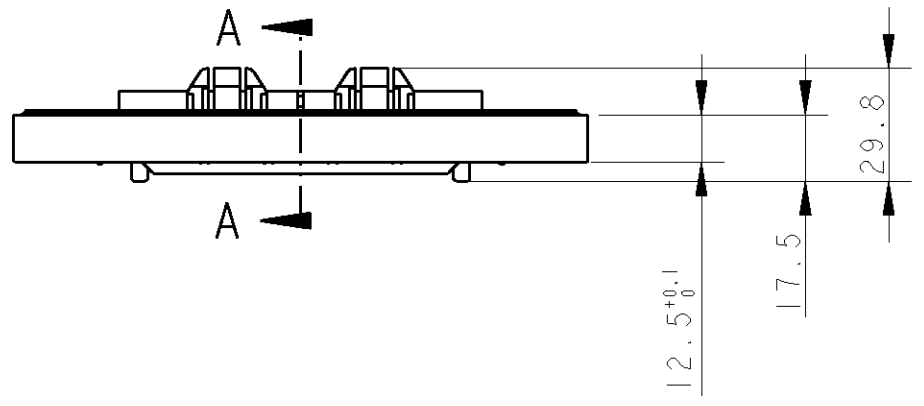


THIS DRAWING IS UNPUBLISHED. RELEASED FOR PUBLICATION 20
 © COPYRIGHT 20 BY TYCO ELECTRONICS CORPORATION. ALL RIGHTS RESERVED.

LOC	DIST	REVISIONS			
P	LTR	DESCRIPTION	DATE	DWN	APVD
ES	00				
	A	RELEASED	23NOV06	A.S	K.O
	B	ADD NEW PART NUMBER	26JUN07	R.ZH	K.O



NOTES
 1. THE TEMPLAT IS SHOWN FROM SUPPORT PLATE INSERTION SIDE.
 2. PROFILE TOLERANCE ALL AROUND THE TEMPLAT
 3. GENERAL TOLERANCE, ±0.2mm



PART NO	DESCRIPTION	ITEM NO
1813123-3	SUPPORT PLATE FOR 62POS TAB HOUSING, 0LAYOUT	3
1813123-2	SUPPORT PLATE FOR 62POS TAB HOUSING, 1LAYOUT	2
1813123-1	SUPPORT PLATE FOR 62POS TAB HOUSING, 2LAYOUT	1

1813121-PBT GF30;
 1813122-LSR2040

<small>THIS DRAWING IS A CONTROLLED DOCUMENT FOR TYCO ELECTRONICS CORPORATION IT IS SUBJECT TO CHANGE AND THE CONTROLLING ENGINEERING ORGANIZATION SHOULD BE CONTACTED FOR THE LATEST REVISION.</small>		DWN A.S 23NOV06 CHK R.ZHOU 25NOV06 APVD K.ODA 27NOV06		tyco Electronics Tyco Electronics Shanghai, China	
DIMENSIONS: mm		TOLERANCES UNLESS OTHERWISE SPECIFIED: 0 PLC ±0.3 1 PLC ± 2 PLC ± 3 PLC ± 4 PLC ± ANGLES ±1°00'		NAME ASSY, FOR 62POS TAB HSG SUPPORT PLATE, 1-2 LAYOUT	
MATERIAL 		FINISH -		PRODUCT SPEC - APPLICATION SPEC - WEIGHT -	
CUSTOMER DRAWING				SIZE A3 CAGE CODE 00779 DRAWING NO C-1813123 RESTRICTED TO -	
SCALE 1:2 SHEET 1 OF 1 REV B					

Mouser Electronics

Authorized Distributor

Click to View Pricing, Inventory, Delivery & Lifecycle Information:

[TE Connectivity:](#)

[1813123-2](#)