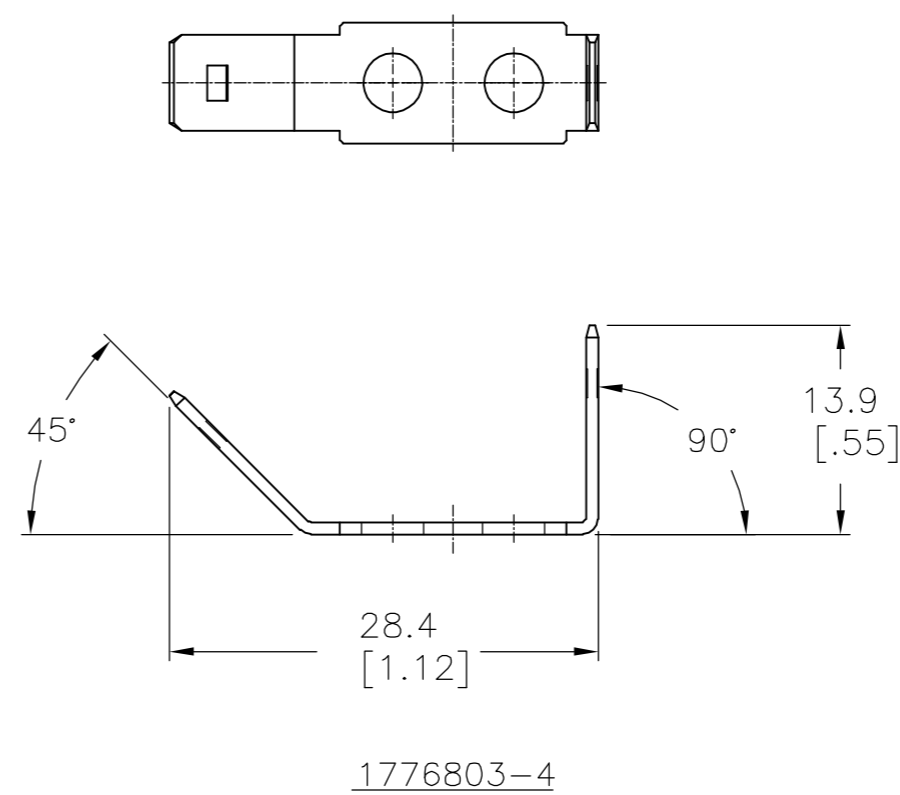
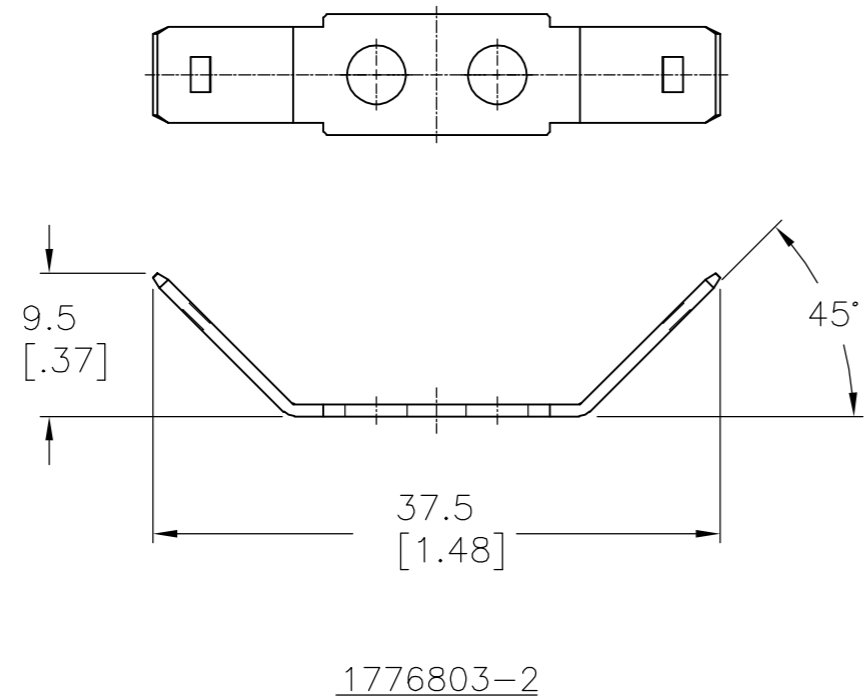
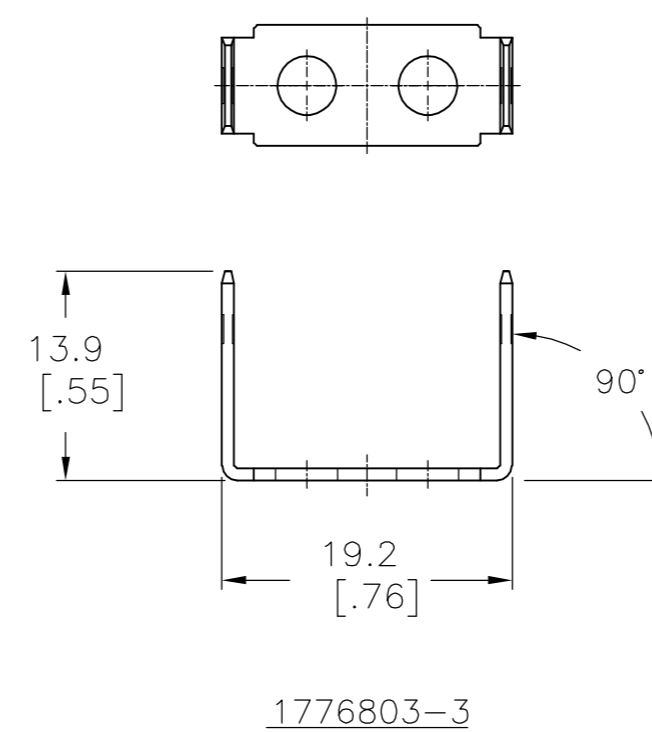
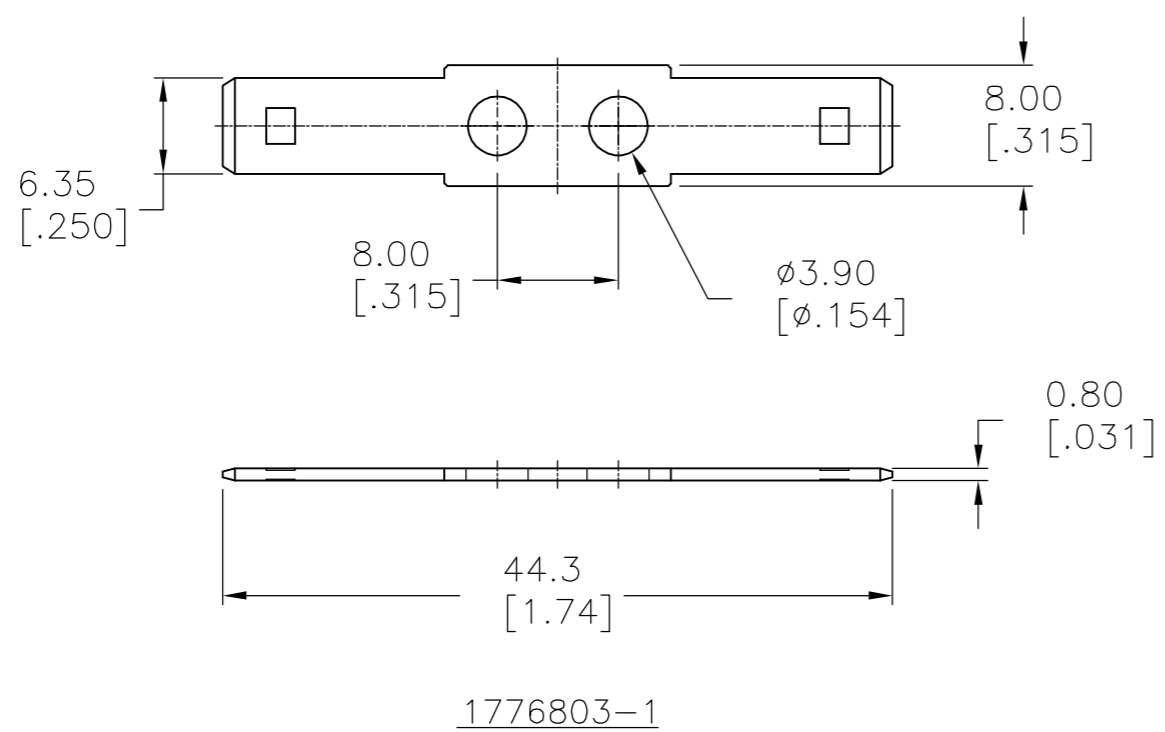


THIS DRAWING IS UNPUBLISHED. RELEASED FOR PUBLICATION  
 © COPYRIGHT BY TYCO ELECTRONICS CORPORATION. ALL RIGHTS RESERVED.

| LOC | DIST | REVISIONS   |                          |         |        |
|-----|------|-------------|--------------------------|---------|--------|
| P   | LTR  | DESCRIPTION | DATE                     | DWN     | APVD   |
| FT  | 0    | A1          | REVISED PER ECO-06-17112 | 7/18/06 | SS SRY |

- 1. MATERIAL: 0.80[.032] THICK, BRASS TEMPERED.
- 2. FINISH: BRIGHT TIN PLATE.



| DESCRIPTION        | PART NUMBER |
|--------------------|-------------|
| 90°/45°, DBL SIDED | 1776860-4   |
| 90°, DBL SIDED     | 1776860-3   |
| 45°, DBL SIDED     | 1776860-2   |
| FLAT, DBL SIDED    | 1776860-1   |

|   |  |              |            |         |   |
|---|--|--------------|------------|---------|---|
| THIS DRAWING IS A CONTROLLED DOCUMENT.  |  | DWN          | S SCHLEGEL | 6/20/06 | Tyco Electronics Corporation<br>Harrisburg, PA 17105-3608 |
| DIMENSIONS: mm [INCHES]   |  | CHK          | S YODER    | 6/20/06 |   |
| TOLERANCES UNLESS OTHERWISE SPECIFIED:  |  | APVD         | S YODER    | 6/20/06 |   |
| 0 PLC ± -<br>1 PLC ± 0.3<br>2 PLC ± 0.25<br>3 PLC ± -<br>4 PLC ± -<br>ANGLES ± 5° |  | PRODUCT SPEC | NAME       |         |   |
| MATERIAL  |  | FINISH       |            | WEIGHT  | SIZE  |
| -   |  | -            |            | -       | A2  |
| CUSTOMER DRAWING  |  |              |            | SCALE   | 2:1   |
| SHEET   |  |              |            | 1       | OF 1  |
| REV   |  |              |            | A1      |   |

# Mouser Electronics

Authorized Distributor

Click to View Pricing, Inventory, Delivery & Lifecycle Information:

[TE Connectivity:](#)

[1776860-3](#)