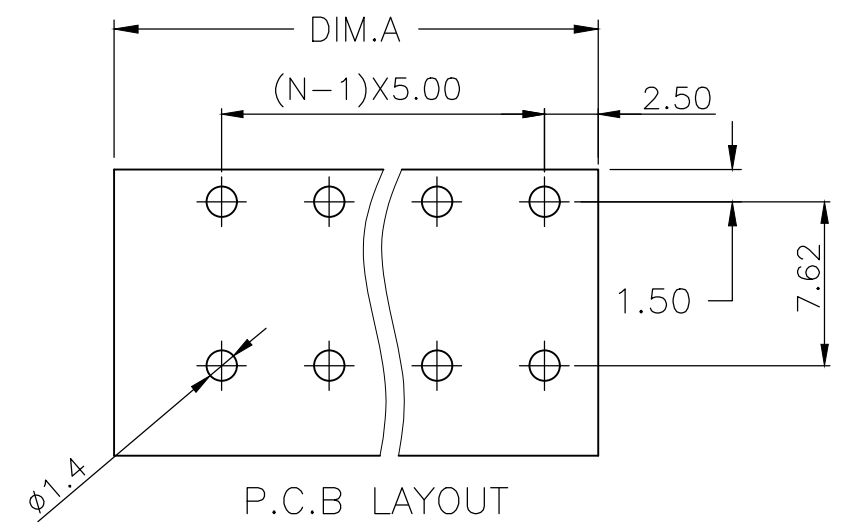
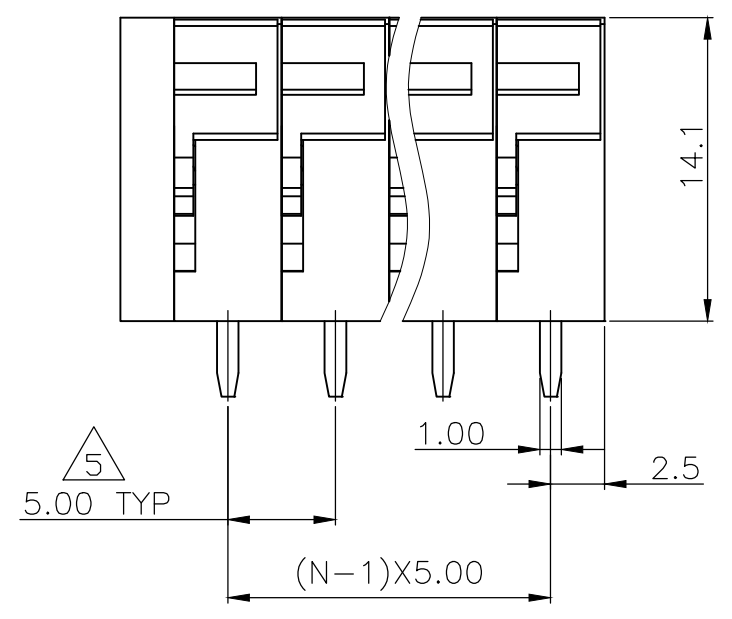
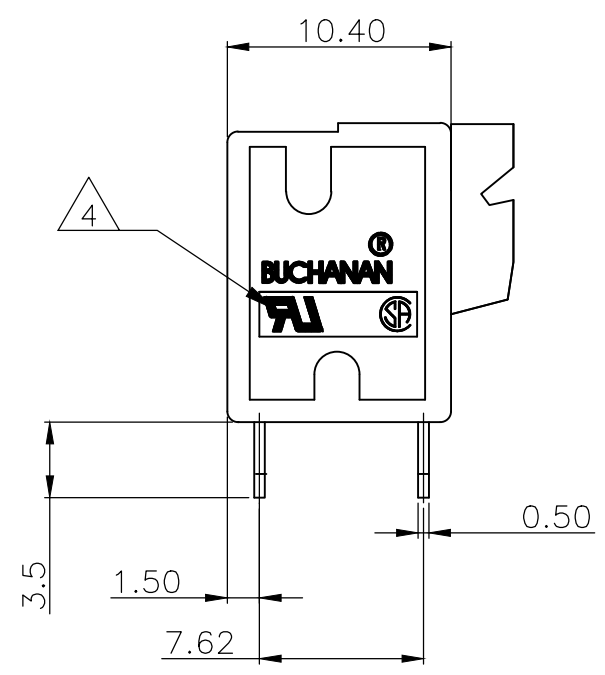
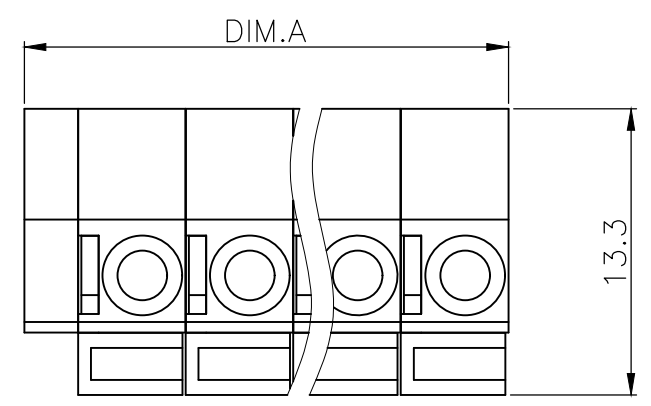


THIS DRAWING IS UNPUBLISHED. RELEASED FOR PUBLICATION
 © COPYRIGHT - By - ALL RIGHTS RESERVED.

REVISIONS					
P	LTR	DESCRIPTION	DATE	DWN	APVD
	R	DESIGN IMPROVEMENT	22JUL2019	RK	PS



N=NUMBER OF CONTACTS

62.50	12	1-1776259-2
57.50	11	1-1776259-1
52.50	10	1-1776259-0
47.50	9	1776259-9
42.50	8	1776259-8
37.50	7	1776259-7
32.50	6	1776259-6
27.50	5	1776259-5
22.50	4	1776259-4
17.50	3	1776259-3
12.50	2	1776259-2
DIM.A	NO. OF POS.	TE PN

THIS DRAWING IS A CONTROLLED DOCUMENT.		DWN S SCHLEGEL 5/6/05	TE Connectivity Ltd.		
DIMENSIONS: mm		CHK C RICHARD 5/6/05			
TOLERANCES UNLESS OTHERWISE SPECIFIED:		APVD C RICHARD 5/6/05	NAME		
0 PLC ± -		PRODUCT SPEC	TERMINAL BLOCK, BOARD MT. SCREWLESS, TOP WIRE ENTRY, 5.0mm PITCH.		
1 PLC ± 0.3		APPLICATION SPEC	-		
2 PLC ± 0.2		WEIGHT	SIZE	CAGE CODE	DRAWING NO
3 PLC ± -		-	A3	00779	C-1776259
4 PLC ± -			CUSTOMER DRAWING	SCALE	SHEET
ANGLES ± -			NTS	1 OF 2	R
FINISH					

THIS DRAWING IS UNPUBLISHED.

RELEASED FOR PUBLICATION

-,-

REVISIONS

© COPYRIGHT - By -

ALL RIGHTS RESERVED.

P	LTR	DESCRIPTION	DATE	DWN	APVD
-	-	SEE SHEET 1	-	-	-

1. MATERIAL:
HOUSING: POLYAMIDE 66, UL94V-0, COLOR: GREEN.
CONTACT: COPPER ALLOY, TIN PLATED.
WIRE GUARD: STAINLESS STEEL.
2. ELECTRICAL:
MAX. CURRENT RATING: 10 A.
CONTACT RESISTANCE: 20mΩ MAX.
INSULATION RESISTANCE: 500MΩ/500VAC.
DIELECTRIC WITHSTANDING VOLTAGE: 2000VAC (MIN).
OPERATING VOLTAGE: 300VAC.
WIRE RANGE: 14-22AWG.
3. MECHANICAL:
WIRE RETENTION FORCE: 1.2 KG (MIN).
OPERATING TEMPERATURE: -55°C TO +105°C.

△4 BUCHANAN LOGO, UL & CSA LOGO'S LOCATED APPROX. AS SHOWN.
TEXT MUST BE LEGIBLE.

△5 NON CUMULATIVE

APPLICATION AND FEATURES:

- THIS SCREWLESS TERMINALS ARE SUITABLE FOR BOTH SOLID AND STRANDED CONDUCTORS.
- A SPRING MADE OF STAINLESS STEEL GUARANTEES FOR PERMANENT AND SAFE CONTACT.
- THIS IS OPERATED BY PUSHING A SCREW DRIVER ON THE LEVER. THIS LEVER IS FULLY INTEGRATED INTO THE BODY.

THIS DRAWING IS A CONTROLLED DOCUMENT.		DWN S SCHLEGEL	5/6/05	STE TE Connectivity Ltd.			
DIMENSIONS: mm		CHK C RICHARD	5/6/05				
TOLERANCES UNLESS OTHERWISE SPECIFIED:		APVD C RICHARD	5/6/05	NAME TERMINAL BLOCK, BOARD MT. SCREWLESS, TOP WIRE ENTRY, 5.0mm PITCH.			
0 PLC ± -		PRODUCT SPEC		-			
1 PLC ± 0.3		APPLICATION SPEC		-			
2 PLC ± 0.25		WEIGHT		SIZE	CAGE CODE	DRAWING NO	RESTRICTED TO
3 PLC ± -		-		A3	00779	C-1776259	-
4 PLC ± -		MATERIAL		CUSTOMER DRAWING			SCALE
ANGLES ± -		FINISH		-			NTS
-		-		SHEET			2 OF 2
-		-		REV			R

Mouser Electronics

Authorized Distributor

Click to View Pricing, Inventory, Delivery & Lifecycle Information:

[TE Connectivity:](#)

[1776259-6](#)