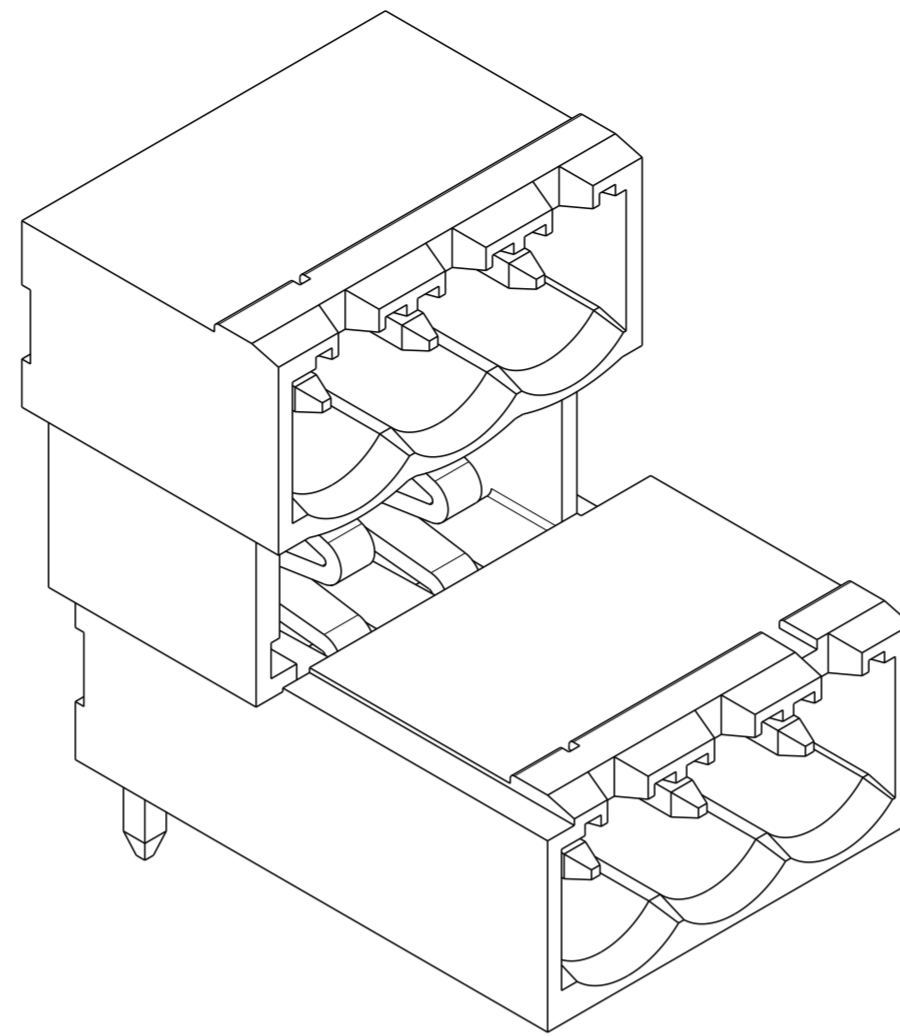
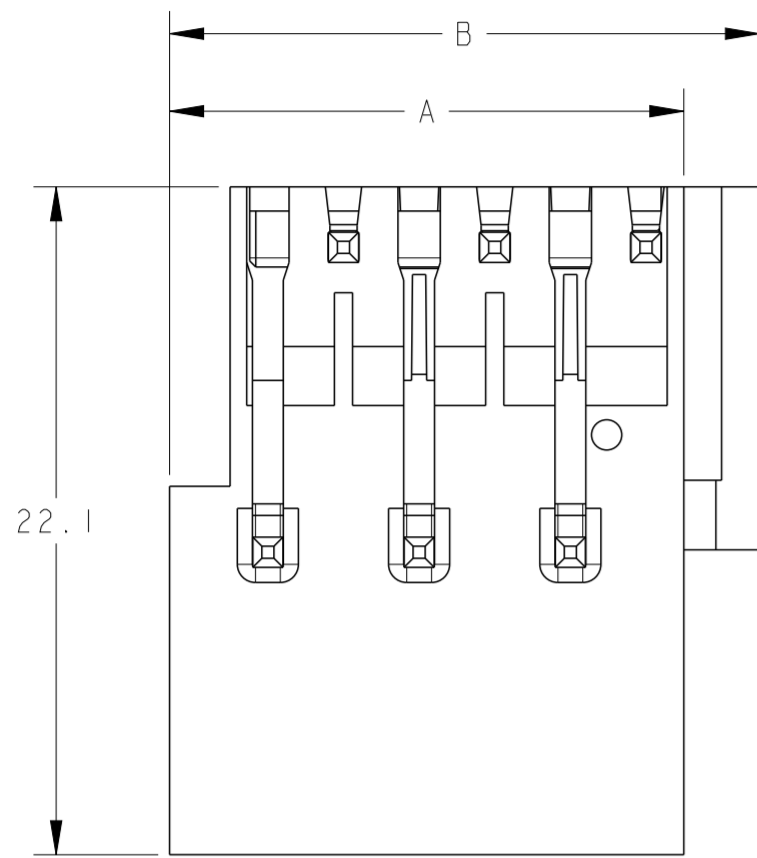


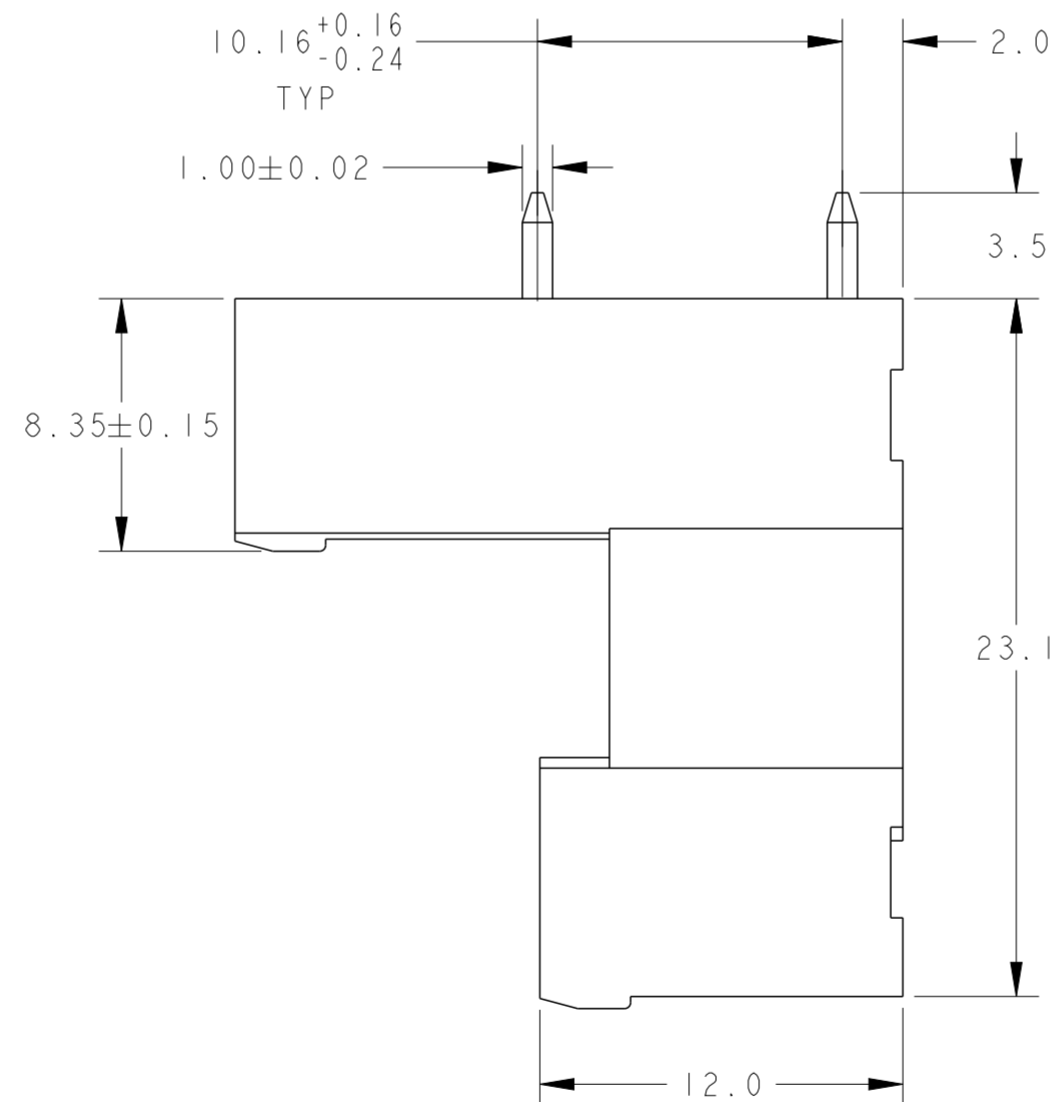
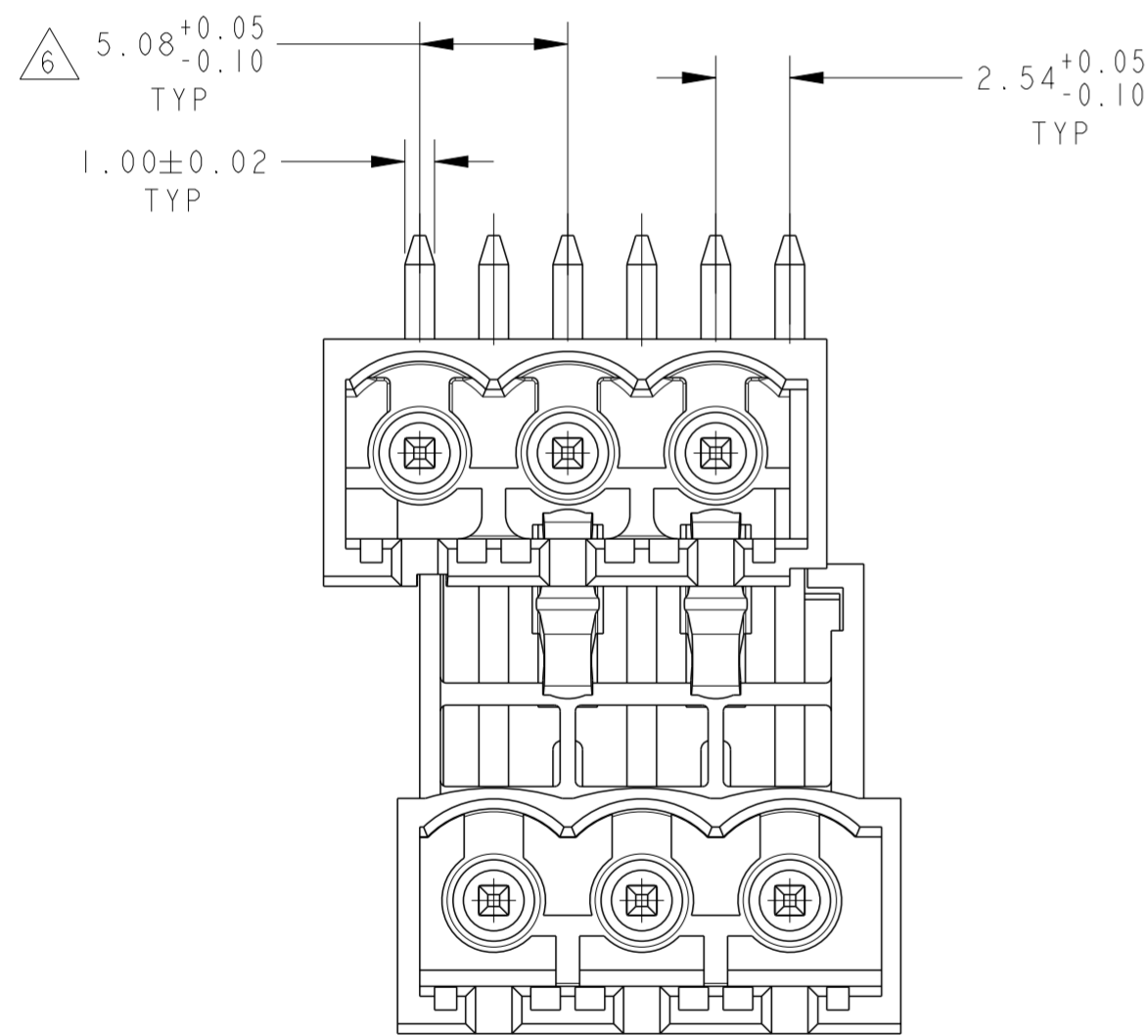
P	LTR	DESCRIPTION	DATE	DWN	APVD
C		DESIGN IMPROVEMENT IN NEW MOLD	08JUN2020	DV	PS



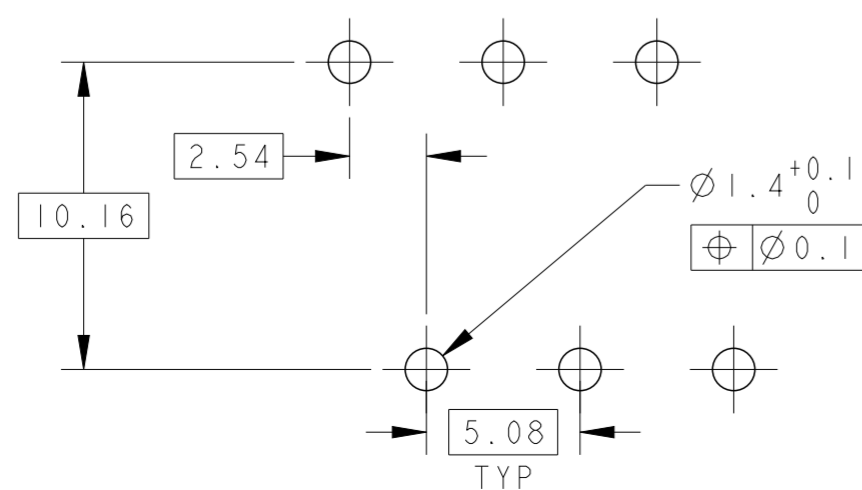
1776167-3 AS SHOWN

- MATERIALS AND FINISH
HOUSING: HIGH TEMPERATURE POLYAMIDE, UL 94V-0 RATED, COLOR: BLACK.
TERMINAL: COPPER ALLOY, TIN PLATED.
- SUITABLE FOR 1,6-2,4mm PC BOARD THICKNESS.
- ELECTRICAL
RATED VOLTAGE : 300 V
RATED CURRENT : 12 A
CONTACT RESISTANCE : < 15 mΩ
INSULATION RESISTANCE: > 1000 MΩ (500V DC)
- OPERATING TEMPERATURE RANGE: -40°C TO +110°C
- P/N FROM 1776167-4 TO 1776167-8 ARE OBTAINED BY ASSEMBLING 1776167-2 AND 1776167-3 TO ACHIEVE THE DESIRED NUMBER OF POSITIONS.

△ 6 NON CUMULATIVE TOLERANCE



RECOMMENDED PC BOARD LAYOUT



44.94	42.44	8	1776167-8
39.86	37.36	7	1776167-7
34.74	32.24	6	1776167-6
29.70	27.20	5	1776167-5
24.66	22.16	4	1776167-4
19.50	17.00	3	1776167-3
14.50	12.00	2	1776167-2
B	A	NO OF POS	PART NUMBER

THIS DRAWING IS A CONTROLLED DOCUMENT.		DWN	19JUL2005	S.WELDON	
DIMENSIONS:		CHK <td>19JUL2005 <td colspan="2">C.RICHARD</td> </td>	19JUL2005 <td colspan="2">C.RICHARD</td>	C.RICHARD	
mm		APVD <td>19JUL2005 <td colspan="2">C.RICHARD</td> </td>	19JUL2005 <td colspan="2">C.RICHARD</td>	C.RICHARD	
TOLERANCES UNLESS OTHERWISE SPECIFIED:		PRODUCT SPEC			
0 PLC ±3		APPLICATION SPEC			
1 PLC ±.25		114-20079			
2 PLC ±.		WEIGHT			
3 PLC ±.		-			
4 PLC ±.		CUSTOMER DRAWING			
ANGLES ±2°		SCALE 5:1			
FINISH		SHEET 1 OF 1			
△ 1		REV C			
△ 1		RESTRICTED TO			
		NAME			
		TERMINAL BLOCK HEADER ASSEMBLY, MULTIPLE, 90 DEGREE, CLOSED ENDS, 5.08mm PITCH			
		SIZE			
		A200779			
		DRAWING NO			
		C-1776167			

Mouser Electronics

Authorized Distributor

Click to View Pricing, Inventory, Delivery & Lifecycle Information:

[TE Connectivity:](#)

[1776167-7](#)