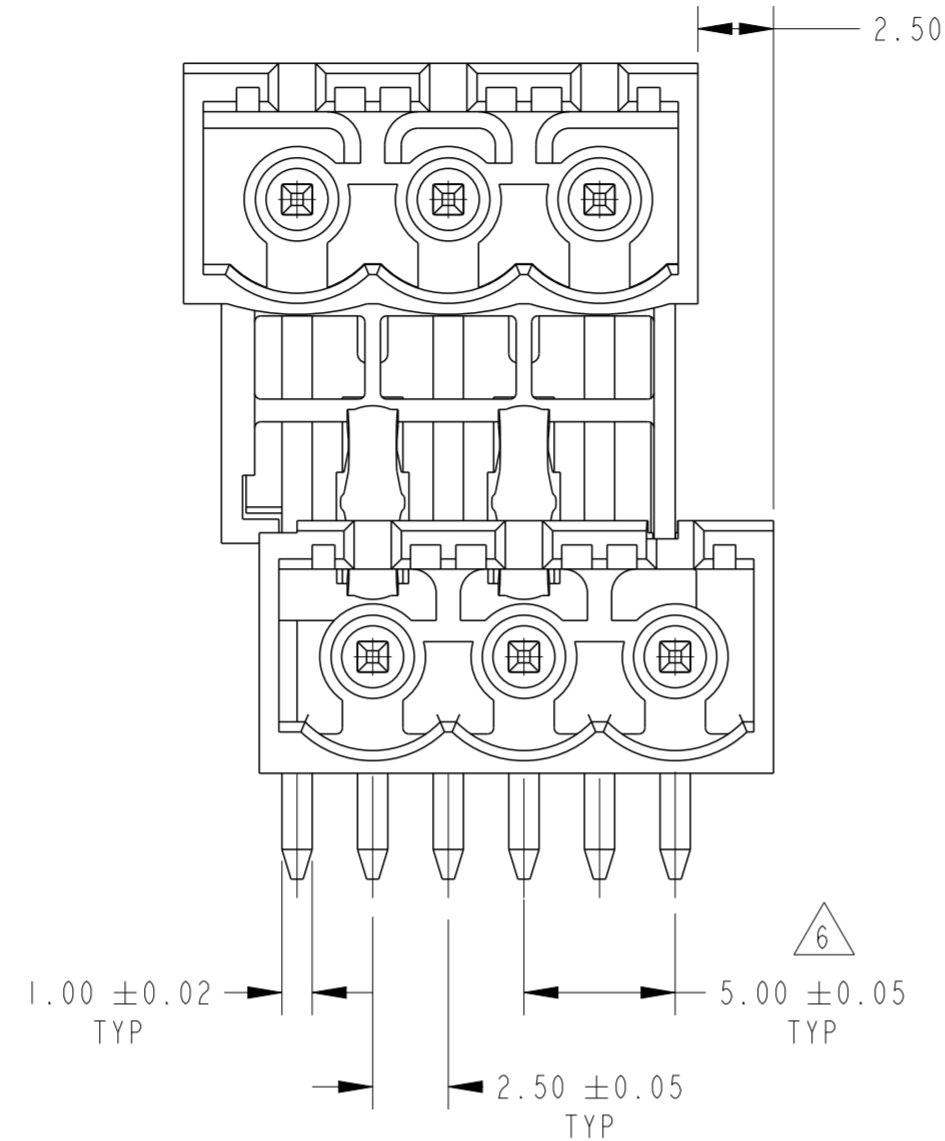
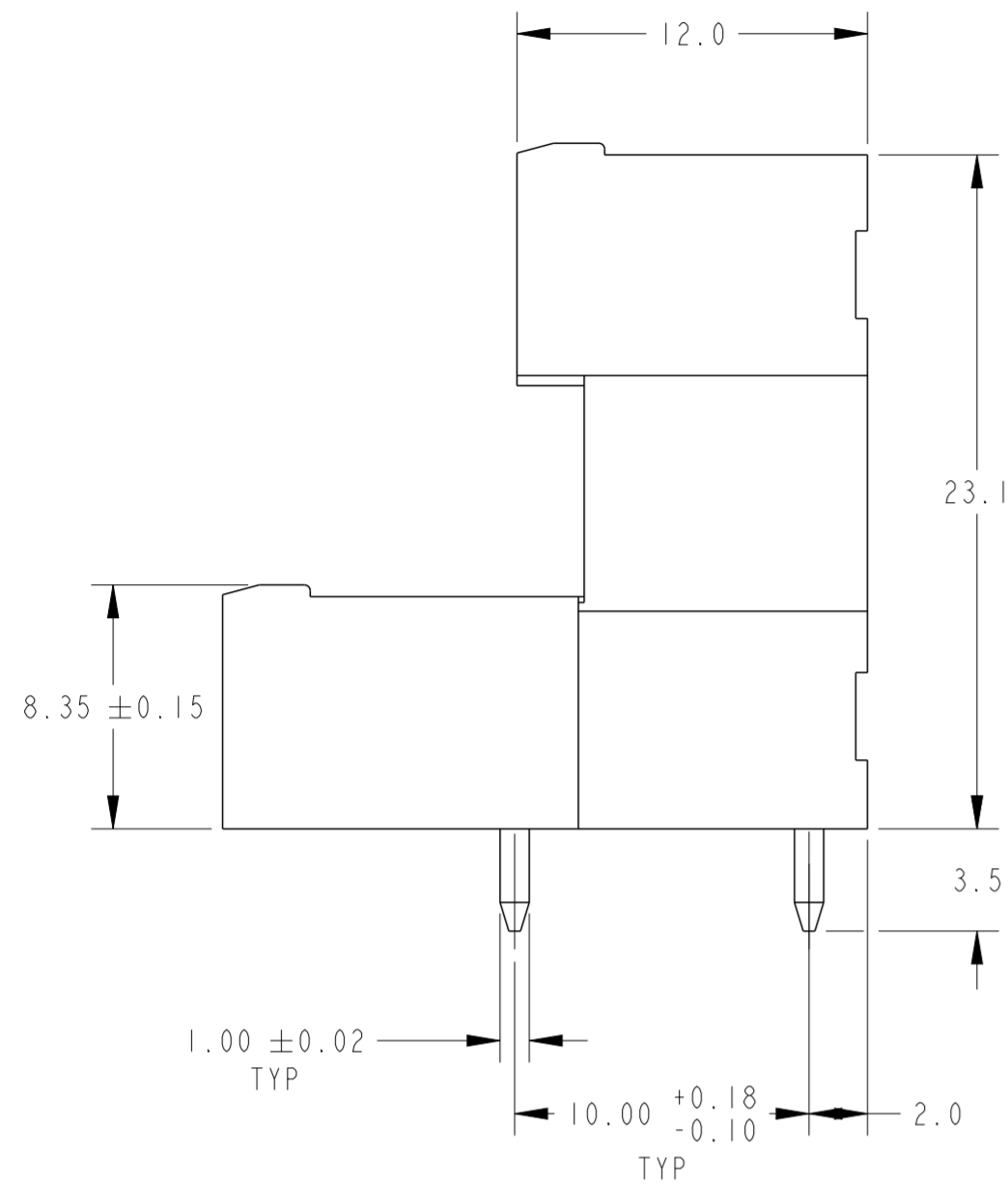


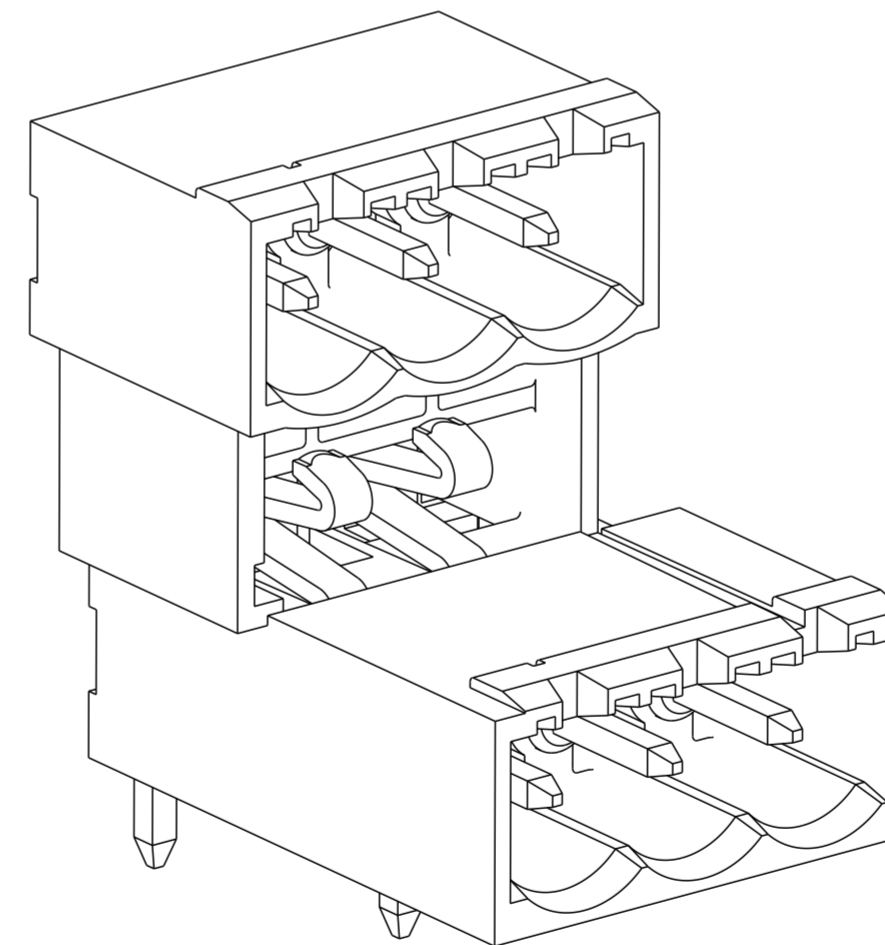
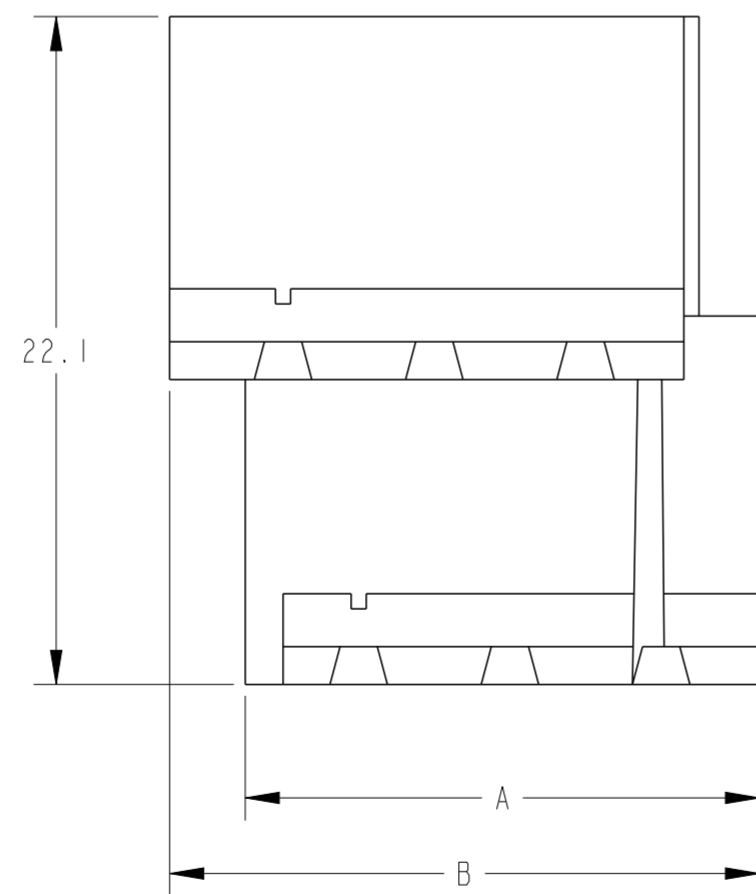
P	LTR	DESCRIPTION	DATE	DWN	APVD
R		DESIGN IMPROVEMENT IN NEW MOLD	09JUN2020	DV	PS



NOTES

- MATERIALS AND FINISH
HOUSING : HIGH TEMPERATURE POLYAMIDE, UL 94V-0 RATED, COLOR: BLACK.
TERMINAL : COPPER ALLOY, TIN PLATED.
- SUITABLE FOR 1.6-2.4mm PC BOARD THICKNESS.
- ELECTRICAL
RATED VOLTAGE : 300 V
RATED CURRENT : 12 A
CONTACT RESISTANCE : < 15 mΩ
INSULATION RESISTANCE: > 1000 MΩ (500V DC)
- OPERATING TEMPERATURE RANGE: -40°C TO +110°C
- P/Ns FROM 1776166-4 TO 1776166-8 ARE OBTAINED BY ASSEMBLING 1776166-2 AND 1776166-3 TO ACHIEVE THE DESIRED NUMBER OF POSITIONS.

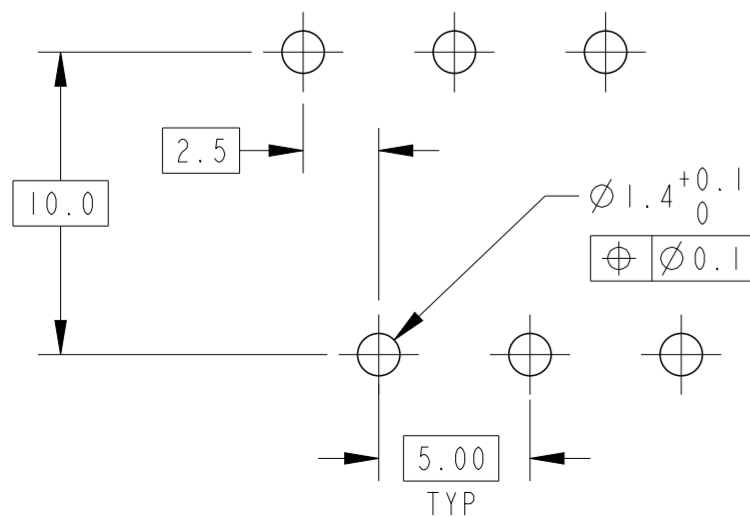
△ 6 NON CUMULATIVE TOLERANCE



1776166-3 AS SHOWN

44.50	42.00	8	1776166-8
39.50	37.00	7	1776166-7
34.50	32.00	6	1776166-6
29.50	27.00	5	1776166-5
24.50	22.00	4	1776166-4
19.50	17.00	3	1776166-3
14.50	12.00	2	1776166-2
B	A	NO OF POS	PART NUMBER

RECOMMENDED PC BOARD LAYOUT



THIS DRAWING IS A CONTROLLED DOCUMENT.		DWN S. WELDON 19JUL2005	TE Connectivity	
DIMENSIONS: mm		CHK C. RICHARD 19JUL2005		
TOLERANCES UNLESS OTHERWISE SPECIFIED:		APVD C. RICHARD 19JUL2005		
0 PLC ± 1 PLC ±0.3 2 PLC ±0.25 3 PLC ± 4 PLC ± ANGLES ±2° FINISH SEE NOTES		NAME: TERMINAL BLOCK HEADER ASSEMBLY, MULTIPLE, 90 DEGREE, CLOSED ENDS, 5.00mm PITCH PRODUCT SPEC: - APPLICATION SPEC: 114-20079 WEIGHT: - CUSTOMER DRAWING	SIZE: A2 CAGE CODE: 00779 DRAWING NO: C-1776166 RESTRICTED TO:	
MATERIAL: SEE NOTES		SCALE: 4:1		SHEET: 1 OF 1
				REV: R

Mouser Electronics

Authorized Distributor

Click to View Pricing, Inventory, Delivery & Lifecycle Information:

[TE Connectivity:](#)

[1776166-6](#)