

4

3

2

1

THIS DRAWING IS UNPUBLISHED.

RELEASED FOR PUBLICATION

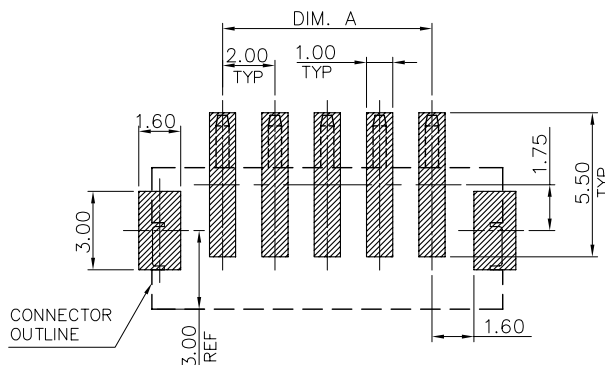
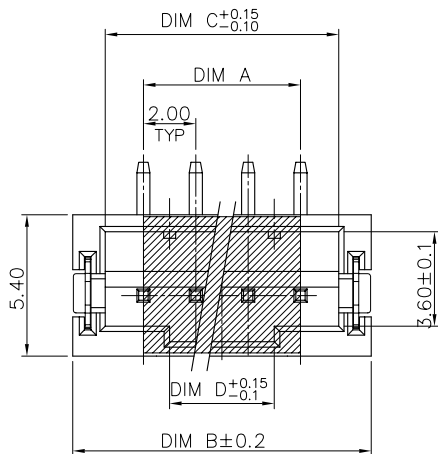
ALL RIGHTS RESERVED.

© COPYRIGHT BY

LOC DW DIST

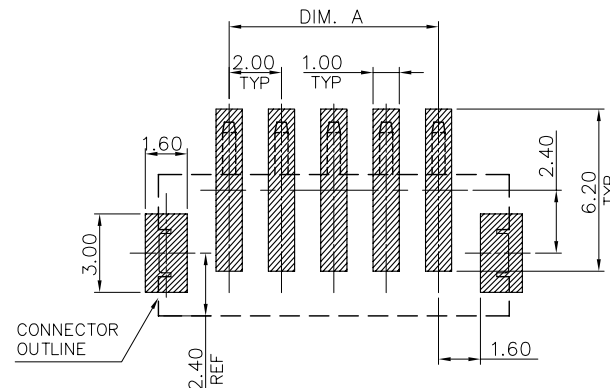
REVISIONS

P	LTR	DESCRIPTION	DATE	DWN	APVD
B		REVISED (ECR-11-011782)	08JUN11	JL	WK



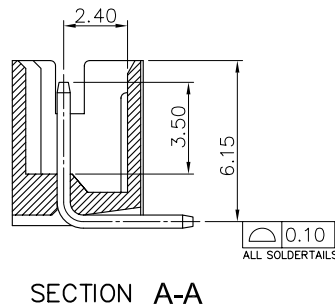
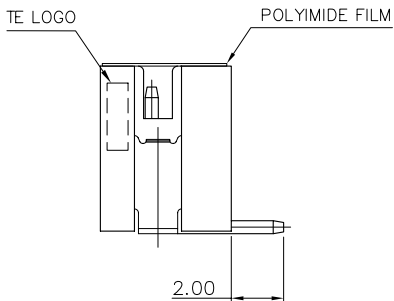
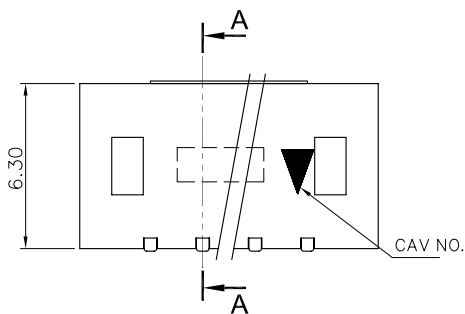
RECOMMENDED PCB LAYOUT

TOLERANCE: ±0.05



RECOMMENDED PCB LAYOUT

TOLERANCE: ±0.05



SECTION A-A

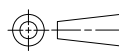
THICKNESS	DIM D	DIM C	DIM B	DIM A	POS	PART NUMBER
28.00	32.90	35.40	30.00	16P	3	1775470-6
26.00	30.90	33.40	28.00	15P	3	1775470-5
24.00	28.90	31.40	26.00	14P	3	1775470-4
22.00	26.90	29.40	24.00	13P	3	1775470-3
20.00	24.90	27.40	22.00	12P	3	1775470-2
18.00	22.90	25.40	20.00	11P	3	1775470-1
16.00	20.90	23.40	18.00	10P	3	1775470-0
14.00	18.90	21.40	16.00	9P	2	1775470-9
12.00	16.90	19.40	14.00	8P	2	1775470-8
10.00	14.90	17.40	12.00	7P	2	1775470-7
8.00	12.90	15.40	10.00	6P	2	1775470-6
6.00	10.90	13.40	8.00	5P	2	1775470-5
4.00	8.90	11.40	6.00	4P	2	1775470-4
2.00	6.90	9.40	4.00	3P	2	1775470-3
0.60	4.90	7.40	2.00	2P	2	1775470-2
28.00	32.90	35.40	30.00	16P	1	1775470-6
26.00	30.90	33.40	28.00	15P	1	1775470-5
24.00	28.90	31.40	26.00	14P	1	1775470-4
22.00	26.90	29.40	24.00	13P	1	1775470-3
20.00	24.90	27.40	22.00	12P	1	1775470-2
18.00	22.90	25.40	20.00	11P	1	1775470-1
16.00	20.90	23.40	18.00	10P	1	1775470-0
14.00	18.90	21.40	16.00	9P	1	1775470-9
12.00	16.90	19.40	14.00	8P	1	1775470-8
10.00	14.90	17.40	12.00	7P	1	1775470-7
8.00	12.90	15.40	10.00	6P	1	1775470-6
6.00	10.90	13.40	8.00	5P	1	1775470-5
4.00	8.90	11.40	6.00	4P	1	1775470-4
2.00	6.90	9.40	4.00	3P	1	1775470-3
0.60	4.90	7.40	2.00	2P	1	1775470-2

NOTE:

- MATERIAL :
HOUSING : PA9T, UL 94V-0, COLOR: NATURAL.
CONTACT : BRASS, THICKNESS=0.50mm.
SOLDER PEG : BRASS
- FINISH:
CONTACT : $\Delta 2\mu\text{m}$ [80 μ] MIN. MATTE TIN PLATED OVER
1.27 μm [50 μ] MIN. NICKEL UNDERPLATED ALL OVER.
 Δ GOLD FLASH OVER 1.27 μm [50 μ] MIN. NICKEL UNDERPLATED ALL OVER.
PEG : 2 μm [80 μ] MATTE TIN, 1.27 μm [50 μ] NICEL.
- REFLOW SOLDER CAPABLE TO 260°C PER TE CONNECTIVITY SPEC 109-201, CONDITION B.

THIS DRAWING IS A CONTROLLED DOCUMENT.

DIMENSIONS: MM



MATERIAL SEE NOTE

TOLERANCES UNLESS OTHERWISE SPECIFIED:
0 PLC ± -
1 PLC ± 0.25
2 PLC ± 0.15
3 PLC ± 0.05
4 PLC ANGLES ± 3'

FINISH SEE NOTE

DWN S. CHIEN 06JAN2009
CHK S. CHIEN 06JAN2009
APVD W. KODAMA 06JAN2009
PRODUCT SPEC
108-57100
QUALIFICATION TEST REPORT
501-57058
WEIGHT - GRAMS
CUSTOMER DRAWING

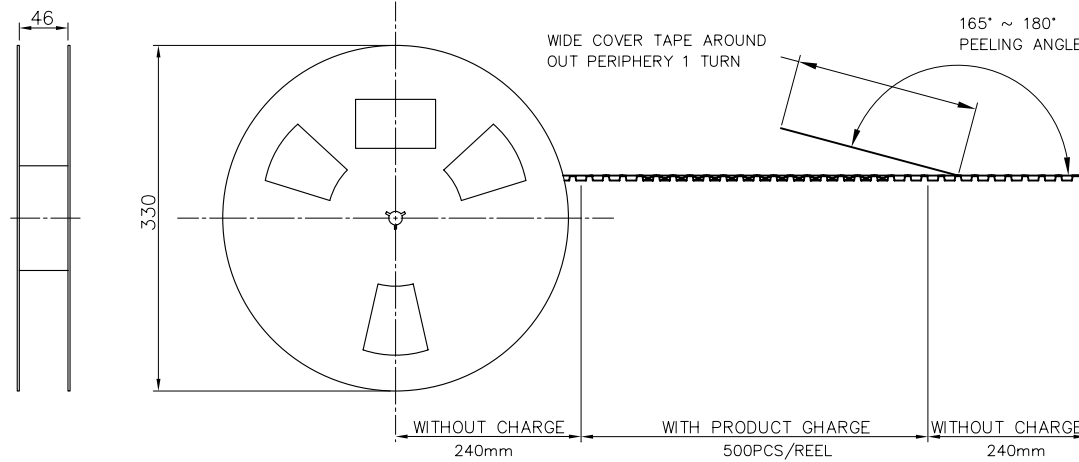
TE Connectivity

HPI CONN., 2.0MM PITCH, V/T, SMT TYPE

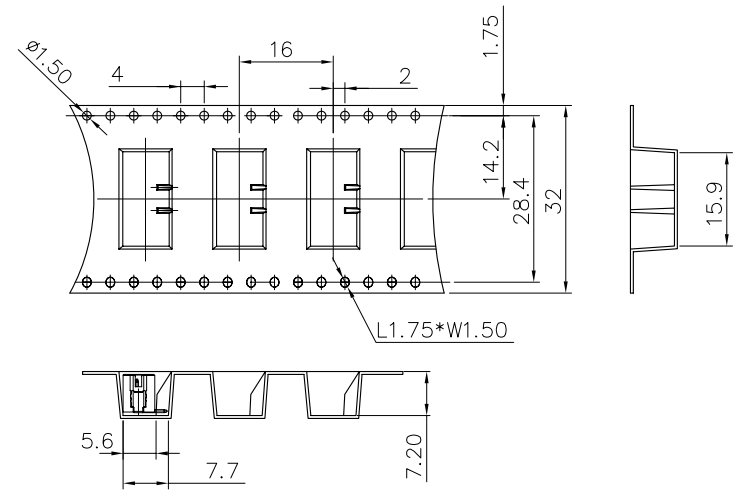
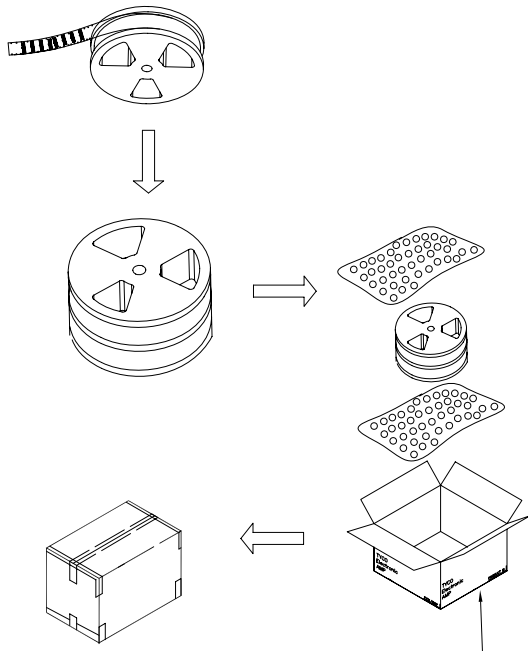
SIZE	CAGE CODE	DRAWING NO	RESTRICTED TO
A3	00779	C=1775470	

SCALE - SHEET 1 of 4 REV B

LOC			DIST			REVISIONS			
P	LTR		DESCRIPTION	DATE	DWN	APVD			
SEE SHEET 1.									



FOR 2~6PIN



PCS/CARTON	PCS/REEL	POS	PART NUMBER
2,500	500	6P	2-1775470-6
2,500	500	5P	2-1775470-5
2,500	500	4P	2-1775470-4
2,500	500	3P	2-1775470-3
2,500	500	2P	2-1775470-2
2,500	500	6P	1775470-6
2,500	500	5P	1775470-5
2,500	500	4P	1775470-4
2,500	500	3P	1775470-3
2,500	500	2P	1775470-2

THIS DRAWING IS A CONTROLLED DOCUMENT.

DIMENSIONS: MM	TOLERANCES UNLESS OTHERWISE SPECIFIED:	DWN	TE Connectivity HPI CONN., 2.0MM PITCH, V/T, SMT TYPE
0 PLC ±	1 PLC ±	CHK	
2 PLC ±	3 PLC ±	APVD	
4 PLC ±	ANGLES ±	PRODUCT SPEC	
MATERIAL	FINISH	APVD	NAME
		APPLICATION SPEC	SIZE CAGE CODE DRAWING NO
		WEIGHT	A300779 C=1775470
		CUSTOMER DRAWING	RESTRICTED TO
		SCALE	SHEET 2 of 4 REV B

4

3

2

1

THIS DRAWING IS UNPUBLISHED.

RELEASED FOR PUBLICATION

AUG 2006

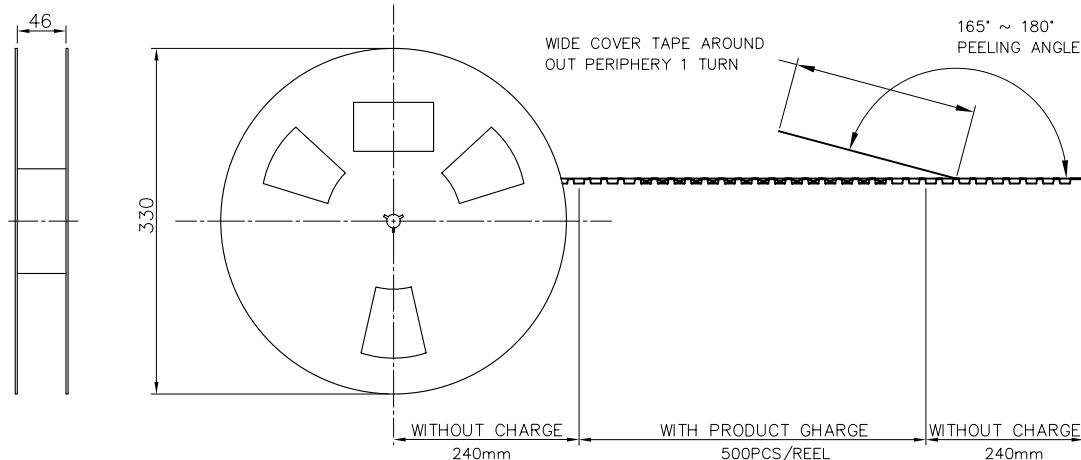
LOC DW

DIST

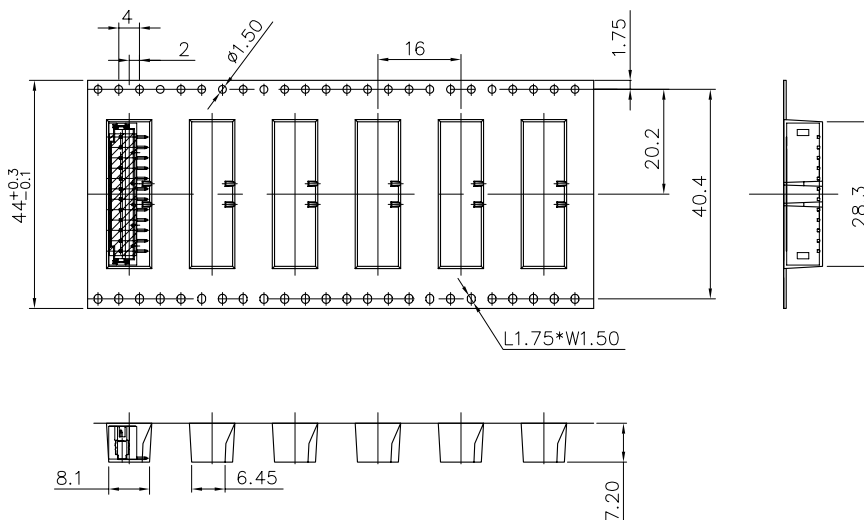
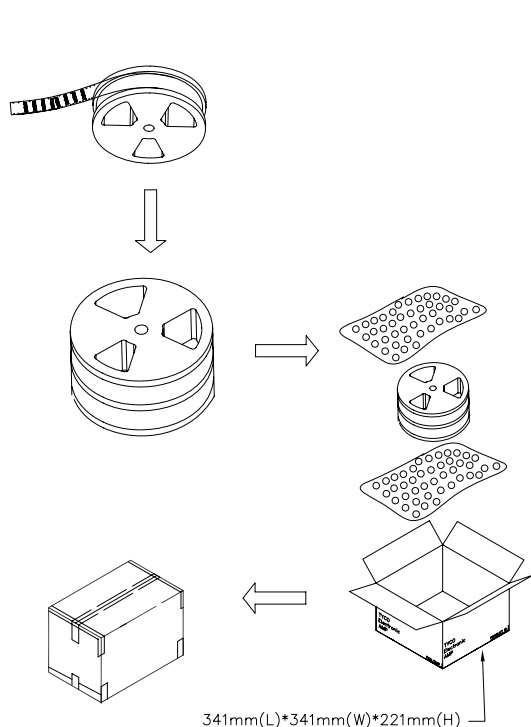
REVISIONS

© COPYRIGHT BY TYCO ELECTRONICS CORPORATION. ALL RIGHTS RESERVED.

P	LTR	DESCRIPTION	DATE	DWN	APVD
		SEE SHEET 1.			



FOR 7~12PIN



PCS/CARTON	PCS/REEL	POS	PART NUMBER
2,000	500	12P	3-1775470-2
2,000	500	11P	3-1775470-1
2,000	500	10P	3-1775470-0
2,000	500	9P	2-1775470-9
2,000	500	8P	2-1775470-8
2,000	500	7P	2-1775470-7
2,000	500	12P	1-1775470-2
2,000	500	11P	1-1775470-1
2,000	500	10P	1-1775470-0
2,000	500	9P	1775470-9
2,000	500	8P	1775470-8
2,000	500	7P	1775470-7

THIS DRAWING IS A CONTROLLED DOCUMENT.

DIMENSIONS: MM

TOLERANCES UNLESS OTHERWISE SPECIFIED:

0 PLC	±
1 PLC	±
2 PLC	±
3 PLC	±
4 PLC	±
ANGLES	±

MATERIAL

FINISH

DWN

CHK

APVD

PRODUCT SPEC

APPLICATION SPEC

WEIGHT

CUSTOMER DRAWING

NAME

HPI CONN., 2.0MM PITCH, V/T, SMT TYPE

SIZE A3

CAGE CODE 00779

DRAWING NO C=1775470

RESTRICTED TO

SCALE

SHEET 3 of 4

REV B

TE Connectivity

THIS DRAWING IS UNPUBLISHED.

RELEASED FOR PUBLICATION

AUG 2006

© COPYRIGHT BY TYCO ELECTRONICS CORPORATION.

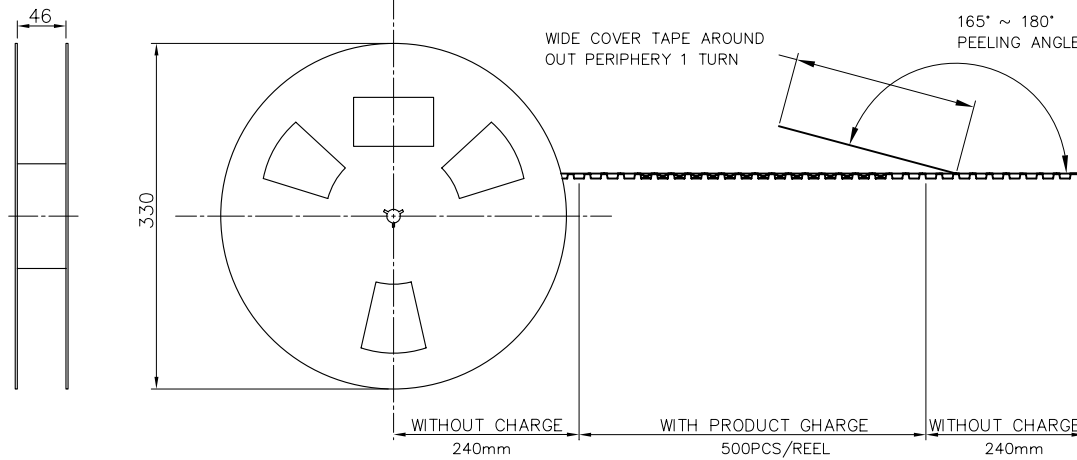
ALL RIGHTS RESERVED.

LOC DW

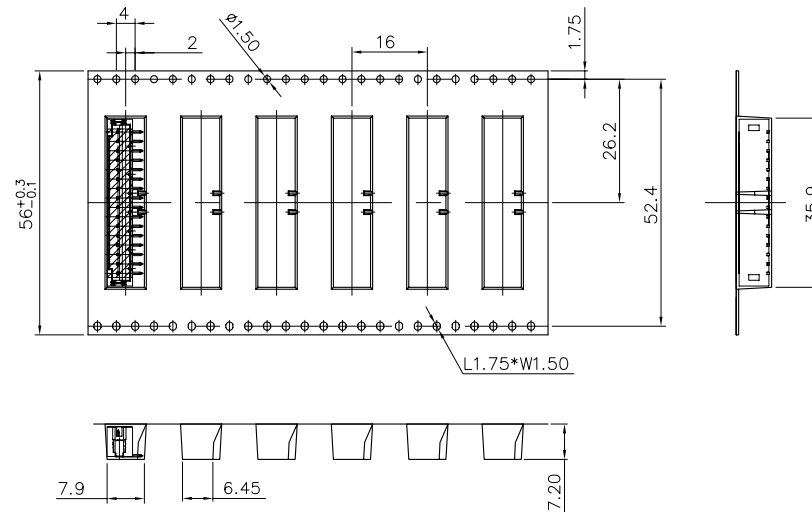
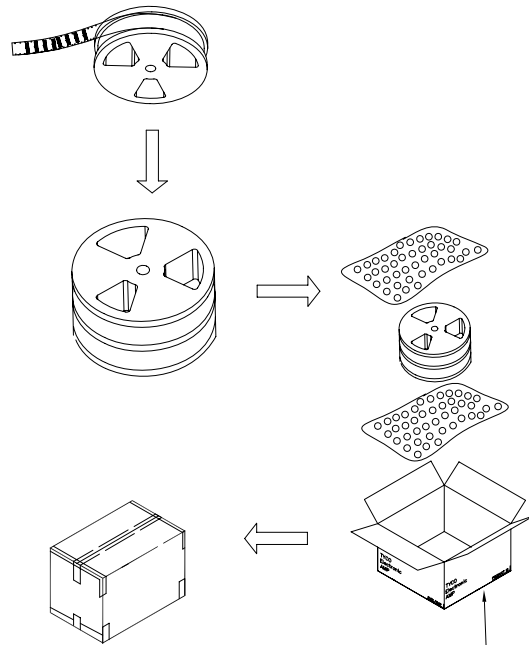
DIST

REVISIONS

P	LTR	DESCRIPTION	DATE	DWN	APVD
		SEE SHEET 1.			



FOR 13~16PIN



1,500	500	16P	3-1775470-6
1,500	500	15P	3-1775470-5
1,500	500	14P	3-1775470-4
1,500	500	13P	3-1775470-3
1,500	500	16P	1-1775470-6
1,500	500	15P	1-1775470-5
1,500	500	14P	1-1775470-4
1,500	500	13P	1-1775470-3
PCS/CARTON	PCS/REEL	POS	PART NUMBER

THIS DRAWING IS A CONTROLLED DOCUMENT.

DWN

CHK

APVD

PRODUCT SPEC

APPLICATION SPEC

WEIGHT

CUSTOMER DRAWING

NAME

HPI CONN., 2.0MM PITCH, V/T, SMT TYPE

SIZE A3

CAGE CODE 00779

DRAWING NO C=1775470

RESTRICTED TO

SCALE

SHEET 4 OF 4

REV B

Mouser Electronics

Authorized Distributor

Click to View Pricing, Inventory, Delivery & Lifecycle Information:

[TE Connectivity:](#)

[1775470-3](#)