

4

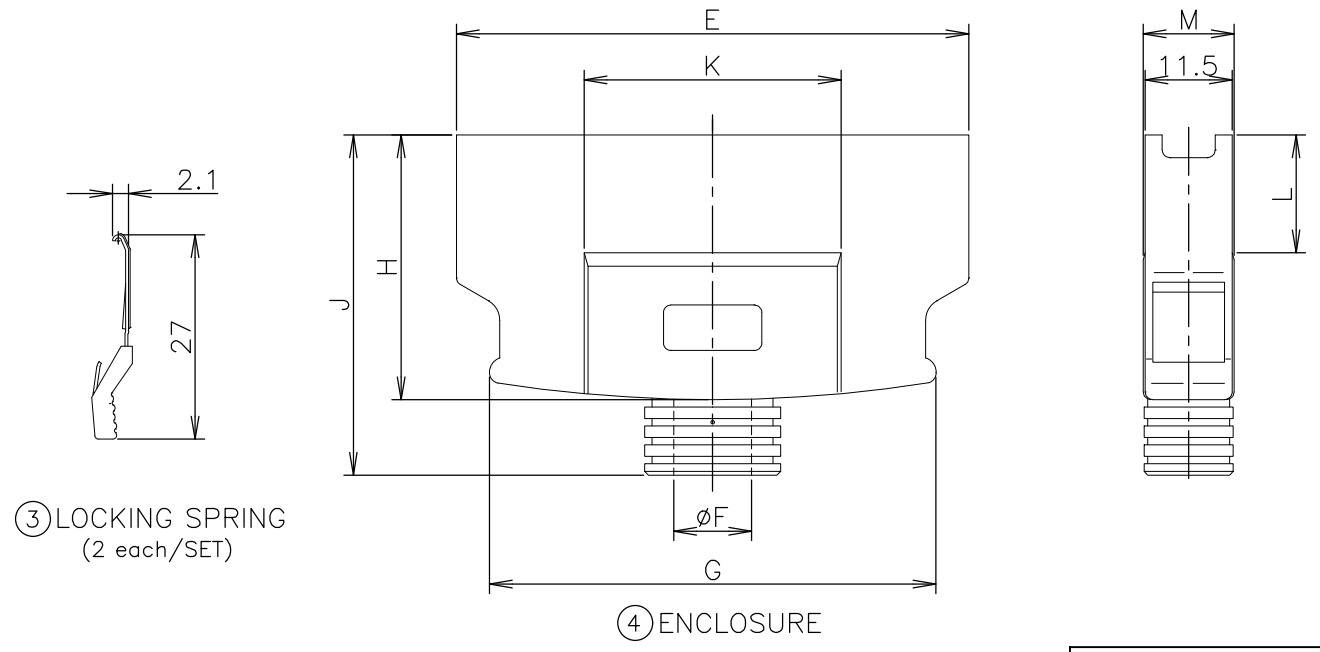
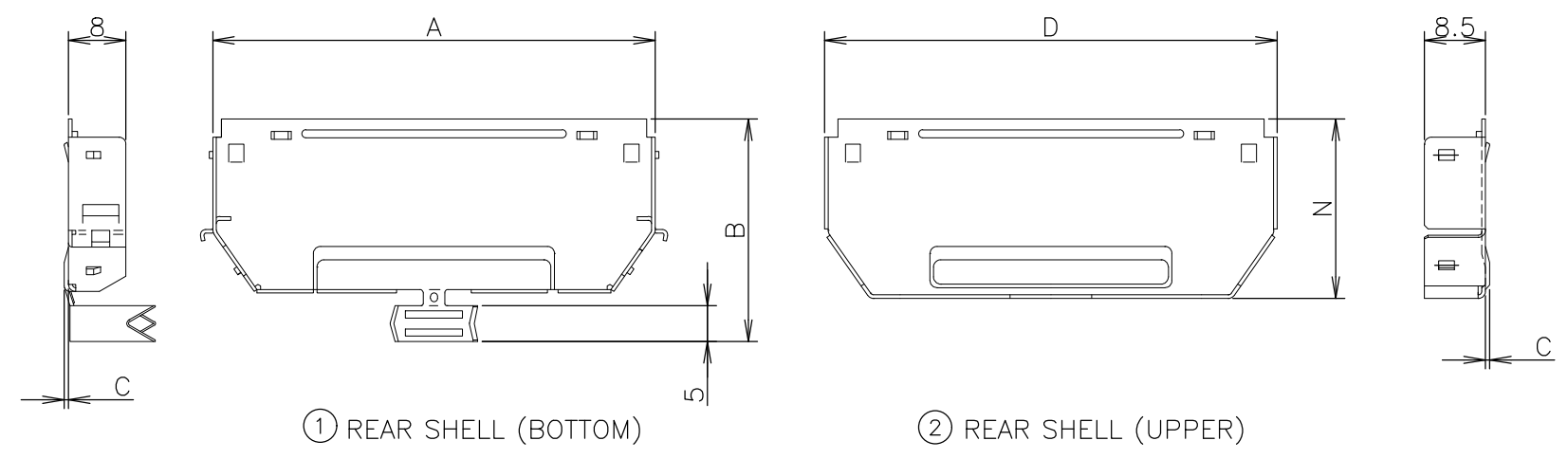
3

2

1

THIS DRAWING IS UNPUBLISHED. RELEASED FOR PUBLICATION .OCT 2000
 © COPYRIGHT 2000 By - ALL RIGHTS RESERVED.

LOC	DIST	REVISIONS			
P	LTR	DESCRIPTION	DATE	DWN	APVD
J		REVISED PER ECO-20-000695	27JAN2020	VM	SH



1 - -0; AS SHOWN

80	61.80	31	0.6	63.10	67.75	10.3	59.05	35	45	34	15.6	11.8	25
100	74.50	33	1.3	75.80	80.45	11.2	71.75	37	47	38	12.5	13.5	27
68	54.18	28	0.6	55.48	60.13	9.8	51.43	32	42	30	14.3	12.0	22
50	42.75	28	*	44.05	48.70	8.7	40.00	32	42	13	*	11.5	22
36	33.86	28	*	35.16	39.81	8.1	31.11	32	42	13	*	11.5	22
26	27.51	28	*	28.81	33.46	7.1	24.76	32	42	13	*	11.5	22
20	23.70	28	*	25.00	29.65	6.7	20.95	32	42	13	*	11.5	22
14	19.89	28	*	21.19	25.84	6.3	17.14	32	42	13	*	11.5	22
POSN	A	B	C	D	E	F	G	H	J	K	L	M	N

GENERAL TOLERANCE
 10 ≥ : ±0.2
 30 ≥ > 10: ±0.25
 100 ≥ > 30: ±0.3
 ANGLES: ±3°

ITEM	MATERIAL	FINISH
①②	STEEL t=0.5	NICKEL PL. OVER COPPER PL.
③	STAINLESS STEEL	
	THERMOPLASTIC UL94V-0	
④	G.F THERMOPLASTIC UL94V-0	COLOR:SEE ANOTHER TABLE

RECOMMENDED CABLE DIA	COLOR	POSN	P/NO.
OBSOLETE		80	3-176793-0
OBSOLETE		100	2-176793-9
OBSOLETE		68	2-176793-8
OBSOLETE		50	2-176793-7
OBSOLETE		36	2-176793-5
OBSOLETE		26	2-176793-4
5.4~6.5		20	2-176793-2
OBSOLETE	BLACK	14	2-176793-1
OBSOLETE		80	1-176793-0
9.9~11.0		100	1-176793-9
8.1~9.6		68	1-176793-8
OBSOLETE		50	1-176793-7
OBSOLETE		36	1-176793-5
OBSOLETE		26	1-176793-4
OBSOLETE		20	1-176793-2
OBSOLETE	BEIGE WHITE	14	1-176793-1

THIS DRAWING IS A CONTROLLED DOCUMENT.

DIMENSIONS: mm	TOLERANCES UNLESS OTHERWISE SPECIFIED: 0 PLC ± 1 PLC ± 2 PLC ± 3 PLC ± 4 PLC ± ANGLES ±
MATERIAL SEE TABLE	FINISH SEE TABLE

DWN T.KAWAMAE 100CT00	NAME
CHK H.MURAMATSU 110CT00	
APVD H.MURAMATSU 110CT00	
PRODUCT SPEC	
108-5288	RESTRICTED TO
APPLICATION SPEC	
114-5166	
WEIGHT	
CUSTOMER DRAWING	



SHIELD CASE KIT
 WITHOUT LOGO
 CHAMP.050 SERIES II STD-TYPE

SIZE A3	CAGE CODE 00779	DRAWING NO C-176793	RESTRICTED TO
SCALE 1:1	SHEET 1 OF 1	REV J	

Mouser Electronics

Authorized Distributor

Click to View Pricing, Inventory, Delivery & Lifecycle Information:

[TE Connectivity:](#)

[176793-8](#)