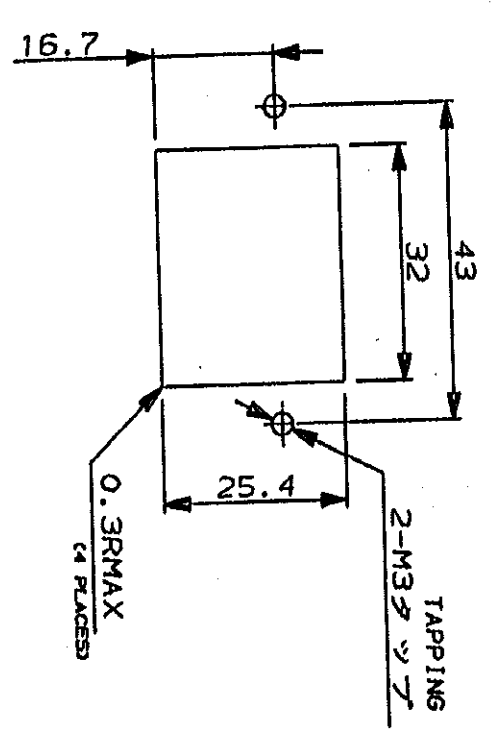
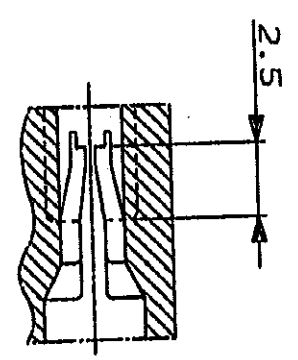
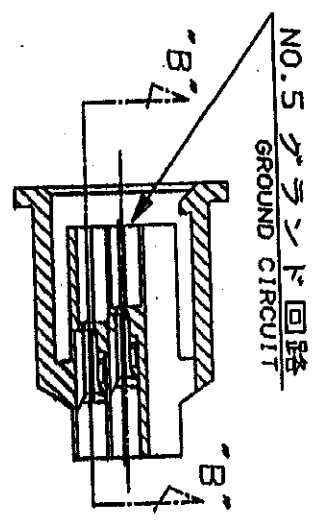


- 注記;
- 1 運用規格
製品規格 : 108-5315
取付運用規格 : 114-5147
 - 2 取扱説明書 : IS-507J
 - 3 材料及び色 : PBT 94V-0, グレー
 - 4 コンタクト挿着力 400 グラム以下。
コンタクト保持力 2.5 キログラム以上。
(検査荷重は、1.5 キログラム以下)



NOTES;

- 1 APPLICABLE SPECIFICATIONS
PRODUCT SPEC. : 108-5315
APPLICATION SPEC. : 114-5147
- 2 INSTRUCTION SHEET: IS-507J
- 3 MATERIAL&COLOR : PBT 94V-0, GRAY
- 4 CONTACT INSERTION FORCE 400 GRAMS MAX.
CONTACT RETENTION FORCE 2.5 GRAMS MIN.
(INSPECTION FORCE 1.5 KG RAMS MAX)

REV.	DESCRIPTION	DATE	DR.	CHK.
0	RELEASED	21-04-30	I. ENOMOTO	I. ENOMOTO
01	REVISED	15-04-30	I. ENOMOTO	I. ENOMOTO
A	REVISED	25-04-30	I. ENOMOTO	I. ENOMOTO

WIRE RANGE	INSULATION DIA.	FINISH
3	2.4mm-3.0	---
MATERIAL	DR.	APP.
3	T. FUTATSUGI	I. ENOMOTO
CHK.	DATE	
I. ENOMOTO	21-04-30	

Copyright © 1990
AMP (Japan) LTD.
ALL RIGHTS RESERVED.

AMP AMP (JAPAN) LTD.
Tokyo, Japan

AMP LATTICE CONN. CAP HOUSING 12POS

GENERAL TOLERANCE
0-40 : ±0.2
10-40 : ±0.25
30-40 : ±0.3
ANGLES : ±1.3°

SCALE B J

REV. A

SHEET 1 OF 1

C-176760

CUSTOMER DRAWING

Mouser Electronics

Authorized Distributor

Click to View Pricing, Inventory, Delivery & Lifecycle Information:

[TE Connectivity:](#)

[176760-2](#)