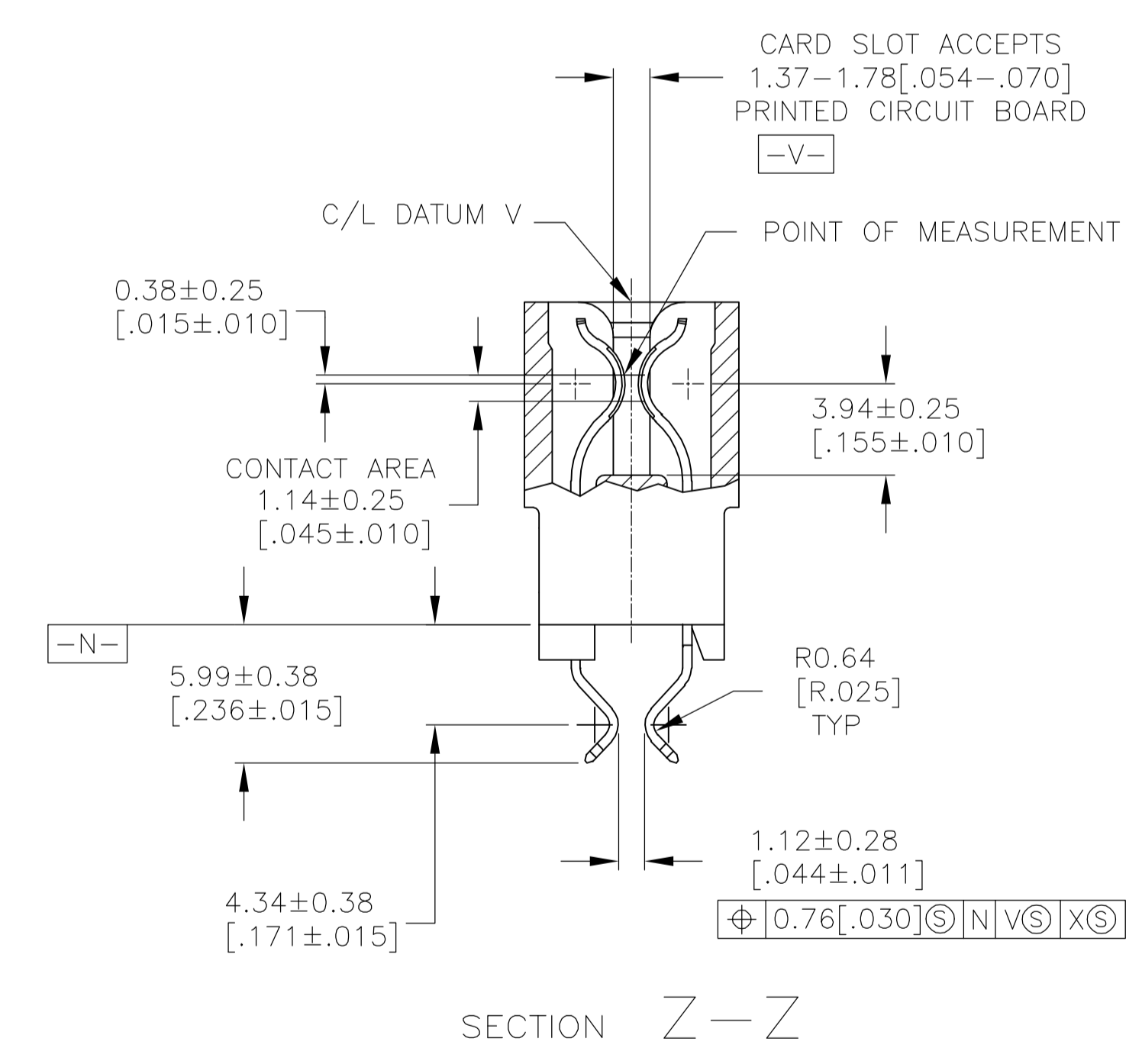
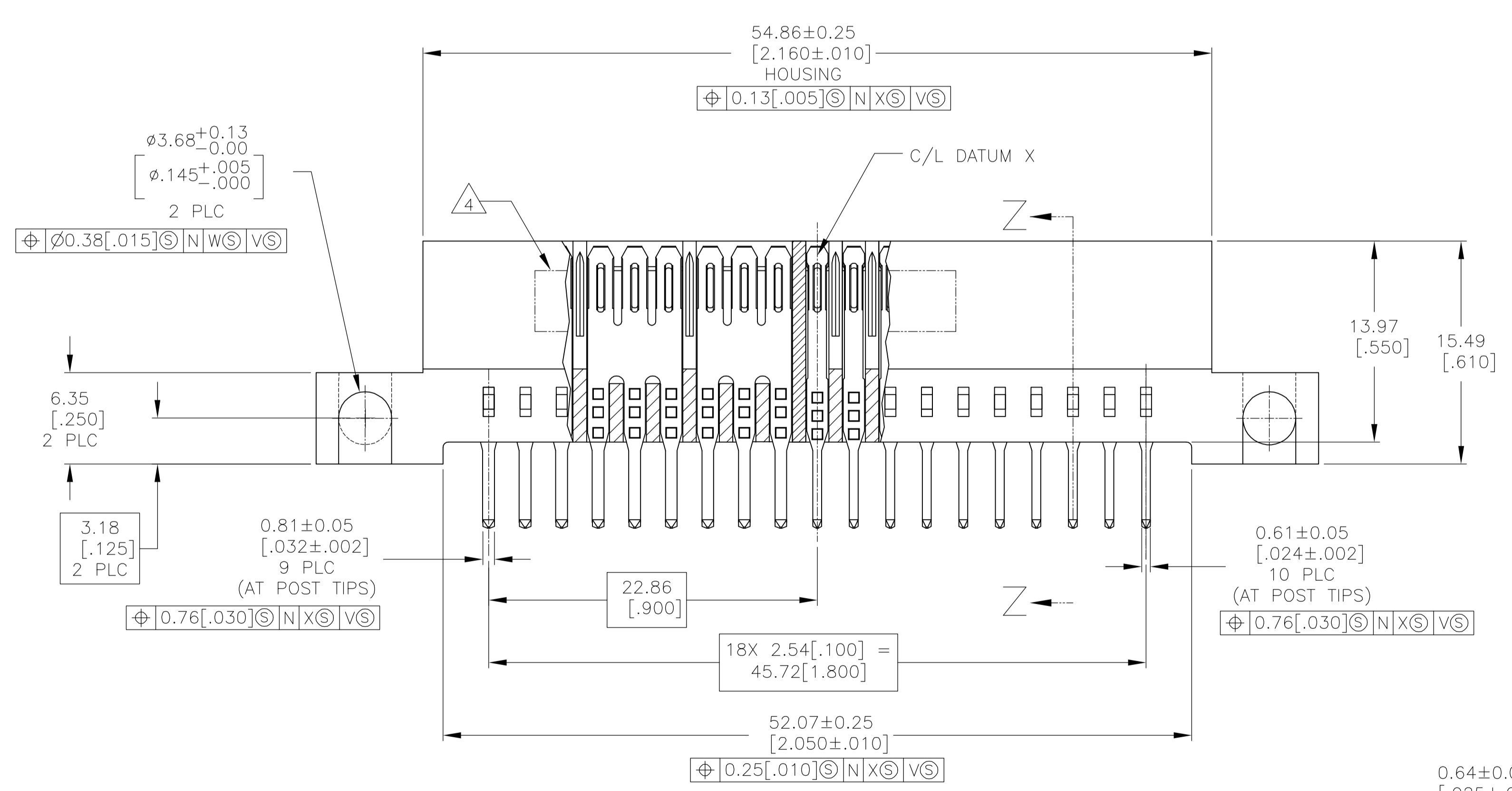


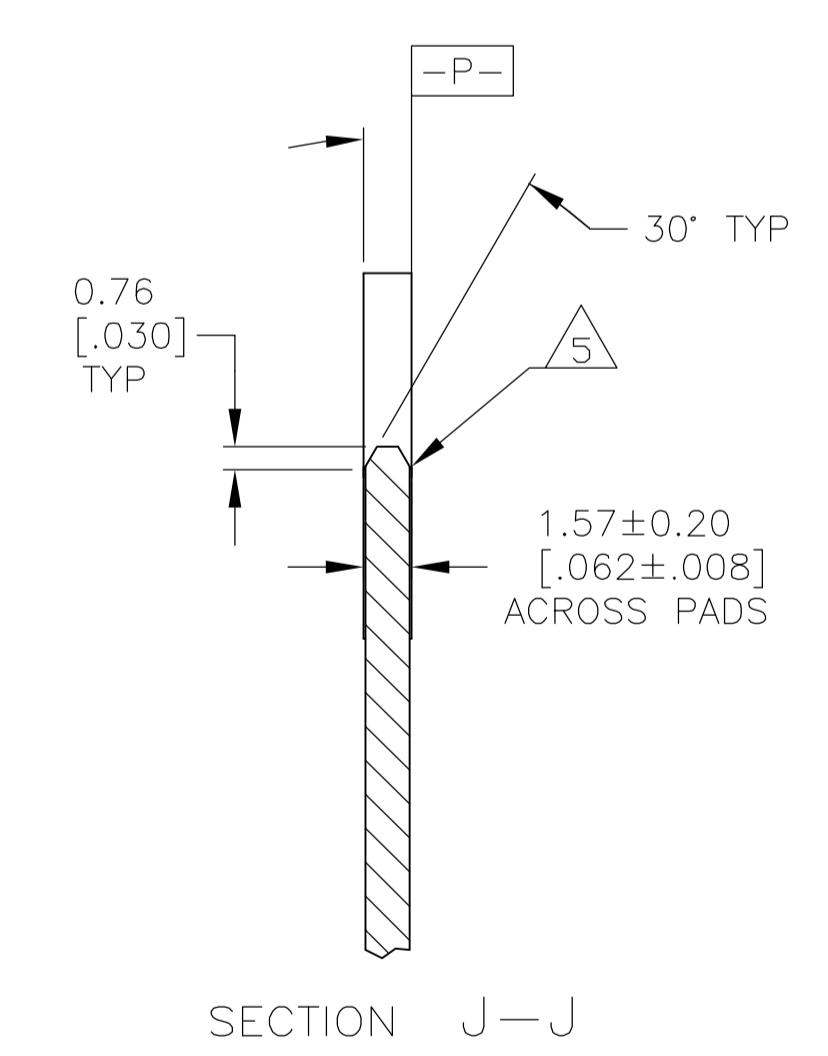
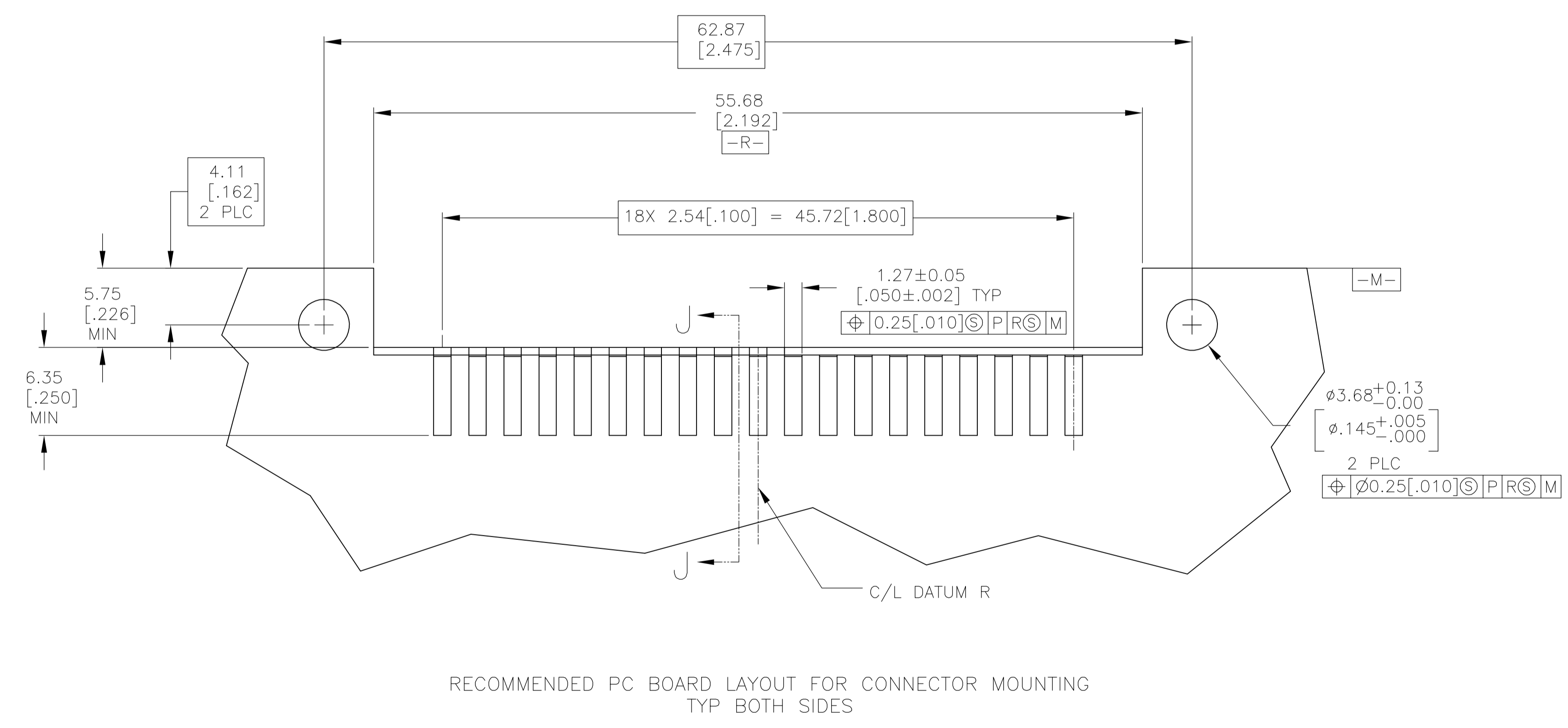
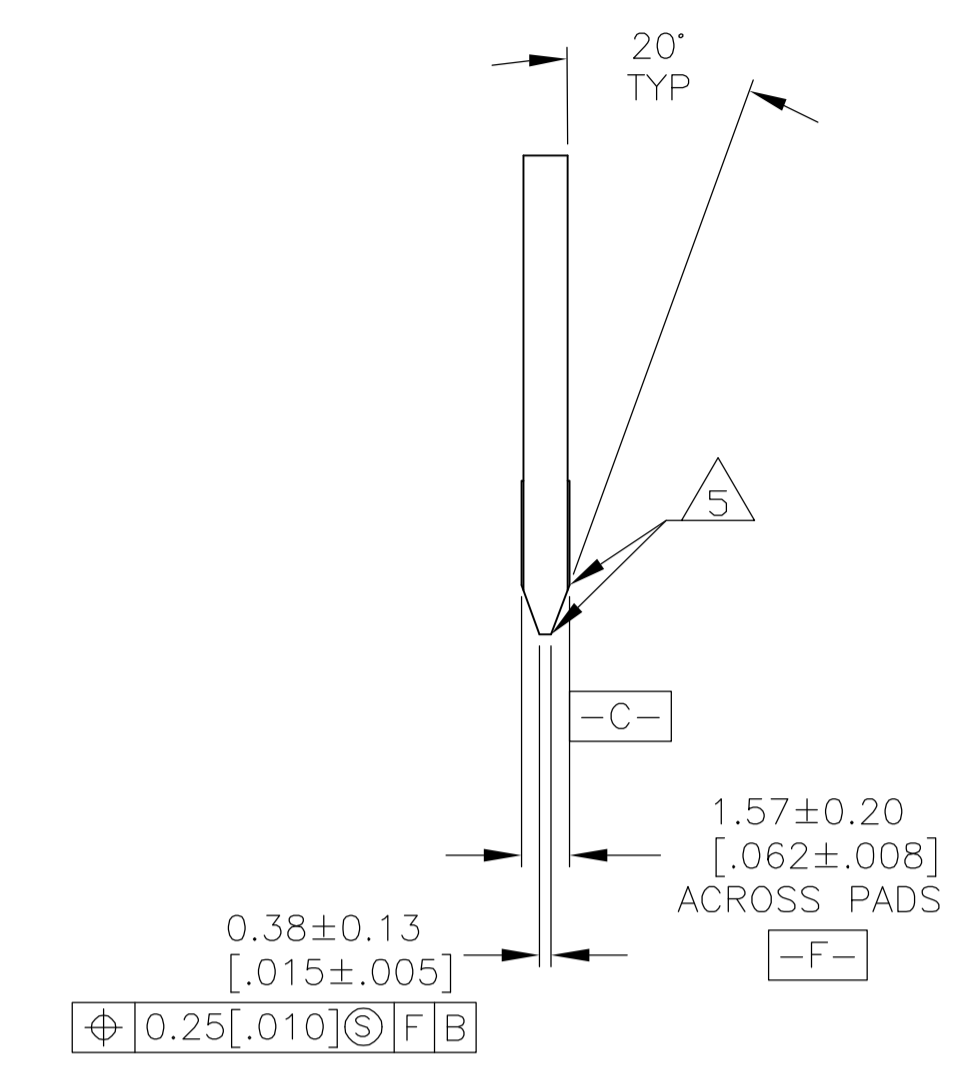
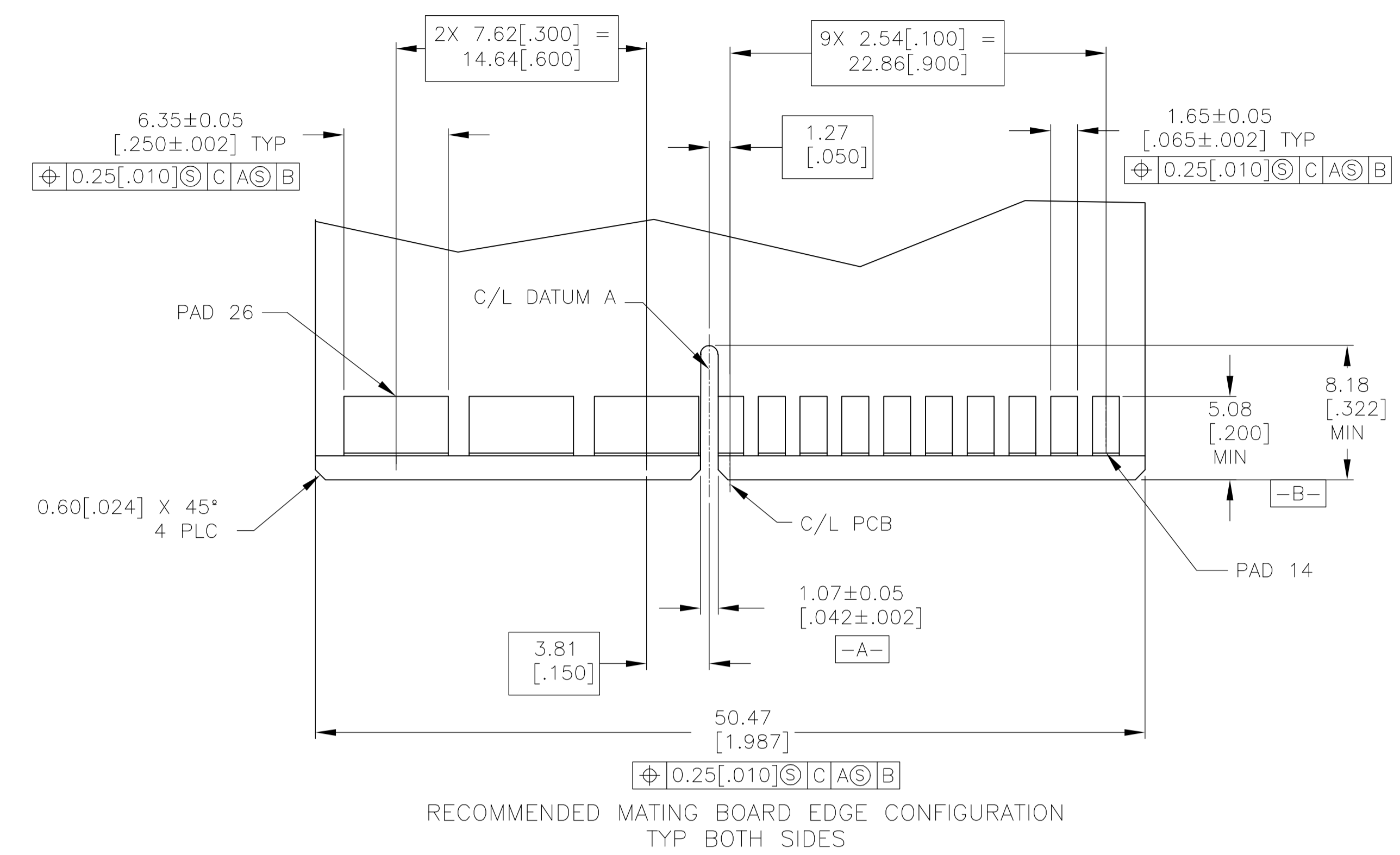
- HOUSING MATERIAL: GLASS FILLED POLYESTER, COLOR: BLACK
 - CONTACT BASE MATERIAL: HIGH CONDUCTIVITY COPPER ALLOY
 - CONTACT FINISH: NICKEL PLATE, .00127 [0.00050] MIN, ALL OVER
 MATTE TIN PLATE, .00254 [0.00100] MIN ON SOLDER POSTS,
 GOLD PLATE, .00076 [0.00030] MIN IN MATING INTERFACE
- △ AMP PART NUMBER AND DATE CODE MARKED IN APPROXIMATE AREA SHOWN
 △ NO BURRS AND/OR SHARP EDGES ARE PERMISSIBLE



10	3	1761500-1
NO OF SINGLE POSITIONS	NO OF MULTIPLE POSITIONS	PART NUMBER

THIS DRAWING IS A CONTROLLED DOCUMENT.

DIMENSIONS:	TOLERANCES UNLESS OTHERWISE SPECIFIED:	DIN AL FRANTUM 08JUNE2005	tyco Electronics	Tyco Electronics Corporation Harrisburg, PA 17105-3608
MM (INCHES)	0 PLC ± - 1 PLC ± - 2 PLC ± ± 0.13[.005] 3 PLC ± ± - 4 PLC ± ± - ANGLES ± ± 1	CHK AL FRANTUM 08JUNE2005	AP/D S. FLICKINGER 26JUNE2006	NAME
				CONNECTOR ASSEMBLY, SEC II POWER, DUAL POSITION, 2.54[.100] CENTERLINE, CARD EDGE
				PRODUCT SPEC 108-2202
				APPLICATION SPEC 114-13018
MATERIAL SEE NOTE 1 & 2	FINISH SEE NOTE 3	WEIGHT -	SIZE A1	SCALE 4:1
			CAGE CODE 00779	DRAWING NO 1761500
			CUSTOMER DRAWING	SHEET 1 OF 2



THIS DRAWING IS A CONTROLLED DOCUMENT.		DWN AL FRANTUM 08JUNE2005	tyco Electronics	Tyco Electronics Corporation Harrisburg, PA 17105-3608
DIMENSIONS: MM (INCHES)		TOLERANCES UNLESS OTHERWISE SPECIFIED:	APVD AL FRANTUM S. FLICKINGER	NAME S. FLICKINGER
0 PLC ± -		1 PLC ± -	2 PLC ± -	3 PLC ± 0.25[.010]
4 PLC ± -		ANGLES ± ± 1	PRODUCT SPEC 108-2202	APPLICATION SPEC 114-13018
MATERIAL SEE SHEET 1	FINISH SEE SHEET 1	WEIGHT -	SIZE A1	SCALE 4:1
CUSTOMER DRAWING		DRAWING NO 00779	REV B	SHEET 2 OF 2

Mouser Electronics

Authorized Distributor

Click to View Pricing, Inventory, Delivery & Lifecycle Information:

[TE Connectivity:](#)

[1761500-1](#)