

4

3

2

1

THIS DRAWING IS UNPUBLISHED. RELEASED FOR PUBLICATION SEP. 2005.

© COPYRIGHT 2005 By - ALL RIGHTS RESERVED.

LOC J DIST F8 REVISIONS DESCRIPTION DATE DWN APVD

NOTICE: THIS COMMUNICATION INCLUDES TE CONNECTIVITY CONFIDENTIAL OR PROPRIETARY INFORMATION THAT MAY ALSO BE LEGALLY PRIVILEGED.

Table with columns for availability, plating, dimensions (6.28, 16.3, 10.05, etc.), and part numbers (1747981-3, 1-1747981-9, etc.).

- 1 CONTACT COPLANALITY IS 0.1 MAXIMUM.
2 THIS DIMENSION MEANS CENTER OF THE POCKET.
3 FINISH
4 REFER TO THE TABLE FOR BOSS.
5 SCREW SIZE
6 PART NUMBER MAKING

THIS DRAWING IS A CONTROLLED DOCUMENT. DIMENSIONS: mm. TOLERANCES UNLESS OTHERWISE SPECIFIED: 0 PLC ± 0.2, 1 PLC ± 0.2, 2 PLC ± 0.2, 3 PLC ± 0.2, 4 PLC ± 0.2. ANGLES ±. MATERIAL FINISH. DWN Y. HIRATA, CHK T. KIMURA, APVD K. IKEGAMI. PRODUCT SPEC 108-78180-1. APPLICATION SPEC. NAME: TE Connectivity, HDMI 19 POS RECEPTACLE ASSY SMT TYPE -LEAD FREE-. SIZE A3, CAGE CODE 00779, DRAWING NO C=1747981, RESTRICTED TO. CUSTOMER DRAWING. SCALE NTS, SHEET 1 of 9, REV F8.

A CONTACT: CONTACT AREA J: SEE TABLE
2µm MIN Sn PLATING ON SOLDERING AREA
2µm MIN Ni UNDER PLATING ALL OVER
SHELL: 1µm MIN Sn PLATING ALL OVER
1µm MIN Ni UNDER PLATING ALL OVER

THIS DRAWING IS UNPUBLISHED.

RELEASED FOR PUBLICATION

SEP. 2005.

© COPYRIGHT 2005 By -

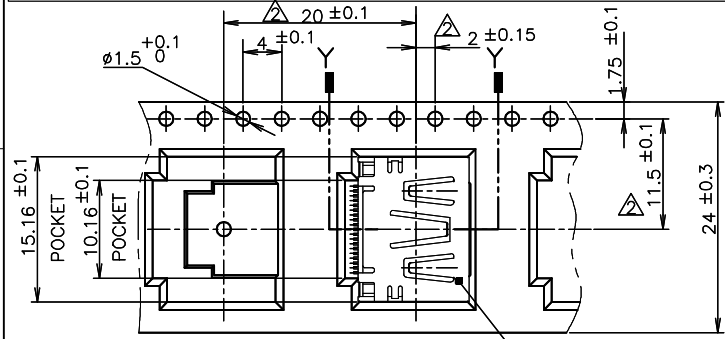
ALL RIGHTS RESERVED.

LOC J DIST

REVISIONS

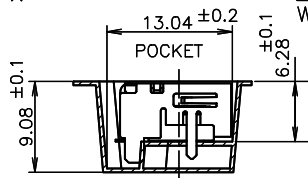
P	LTR	DESCRIPTION	DATE	DWN	APVD
-	-	SEE SHEET 1	-	-	-

NOTICE: THIS COMMUNICATION INCLUDES TE CONNECTIVITY CONFIDENTIAL OR PROPRIETARY INFORMATION THAT MAY ALSO BE LEGALLY PRIVILEGED.

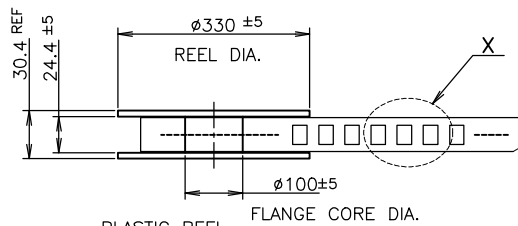


DETAIL X

CONNECTOR WITHOUT FLANGE TYPE



SHOWN AS: 1747981-3



PLASTIC REEL

PULL OUT DIRECTION

EMBOSS REEL

WEEDING THE COVER TAPE: 300 MIN (NOT INCLUDE EMPTINESS POCKET)

PELLING ANGLE: 165°~180° PEELING STRENGTH: 0.1~0.7N (300mm/min.)

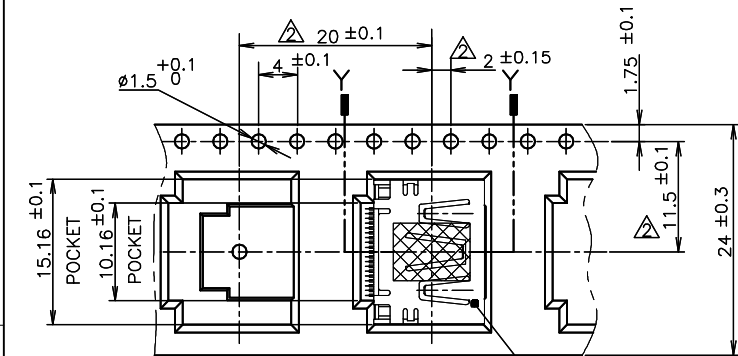
400^{MIN} WITHOUT CHARGE WITH PRODUCT CHARGE QTY:300PCS 25MIN WITHOUT CHARGE

LABEL DESCRIPTION

TE CONNECTIVITY P/N: 1747981-*
QTY: 300 pcs
D/C: MADE IN CHINA

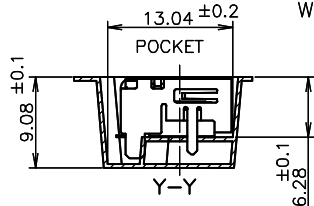
SHOWN AS:
3-1747981-2
9-1747981-2
1747981-2
1747981-1

300	WITHOUT	WITHOUT FLANGE TYPE	1747981-3
300	WITH	WITHOUT FLANGE TYPE	3-1747981-2
300	WITH	WITHOUT FLANGE TYPE	9-1747981-2
300	WITH	WITHOUT FLANGE TYPE	1747981-2
300	WITH	WITHOUT FLANGE TYPE	1747981-1
QTY	MYLAR	CONNECTOR TYPE	PART NUMBER



DETAIL X

CONNECTOR WITHOUT FLANGE TYPE



THIS DRAWING IS A CONTROLLED DOCUMENT.

DIMENSIONS: mm TOLERANCES UNLESS OTHERWISE SPECIFIED:

0 PLC	± 0.2
1 PLC	± 0.2
2 PLC	± 0.2
3 PLC	± 0.2
4 PLC	± 0.2
ANGLES	\pm

MATERIAL FINISH

DWN	TE Connectivity		
CHK	NAME		
APVD	HDMI 19 POS RECEPTACLE ASSY SMT TYPE -LEAD FREE-		
PRODUCT SPEC	108-78180-1		
APPLICATION SPEC	SCALE NTS SHEET 2 of 9 REV F8		
WEIGHT	SIZE A3	CAGE CODE 00779	DRAWING NO C-1747981
CUSTOMER DRAWING	RESTRICTED TO		

4

3

2

1

THIS DRAWING IS UNPUBLISHED.

RELEASED FOR PUBLICATION

SEP .2005.

LOC DIST

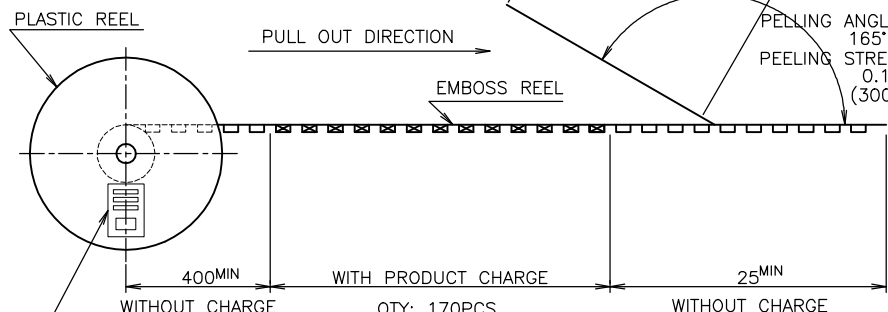
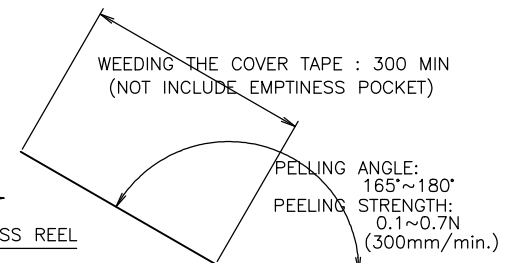
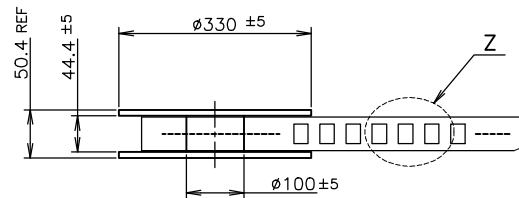
REVISIONS

© COPYRIGHT 2005 By -

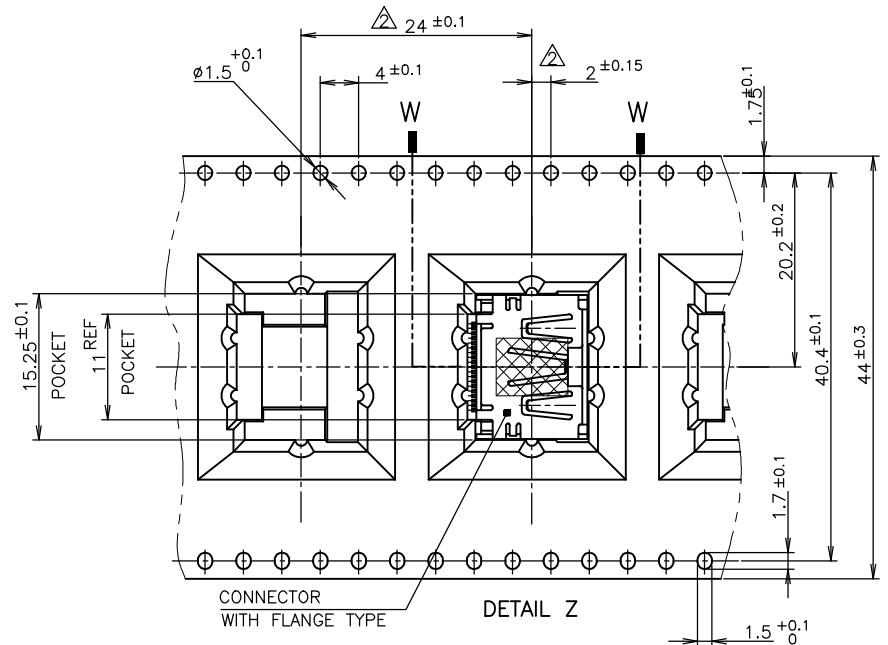
ALL RIGHTS RESERVED.

P	LTR	DESCRIPTION	DATE	DWN	APVD
-	-	SEE SHEET 1	-	-	-

NOTICE: THIS COMMUNICATION INCLUDES TE CONNECTIVITY CONFIDENTIAL OR PROPRIETARY INFORMATION THAT MAY ALSO BE LEGALLY PRIVILEGED.

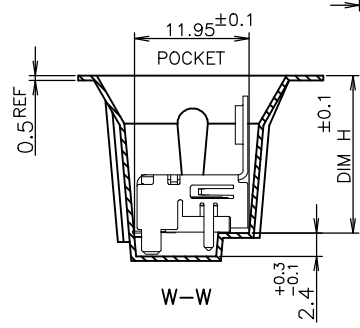


TE CONNECTIVITY P/N.: *-1747981-*
 QTY: 170 pcs
 D/C:
 MADE IN CHINA



CONNECTOR WITH FLANGE TYPE

DETAIL Z



170	WITH FLANGE TYPE	1-1747981-9
170	WITH FLANGE TYPE	8-1747981-2
170	WITH FLANGE TYPE	2-1747981-5
170	WITH FLANGE TYPE	2-1747981-4
170	WITH FLANGE TYPE	2-1747981-3
170	WITH FLANGE TYPE	1-1747981-7
170	WITH FLANGE TYPE	1-1747981-5
QTY	CONNECTOR TYPE	PART NUMBER

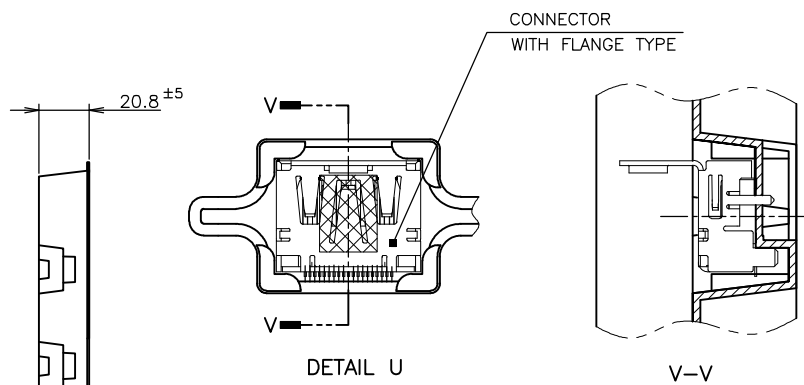
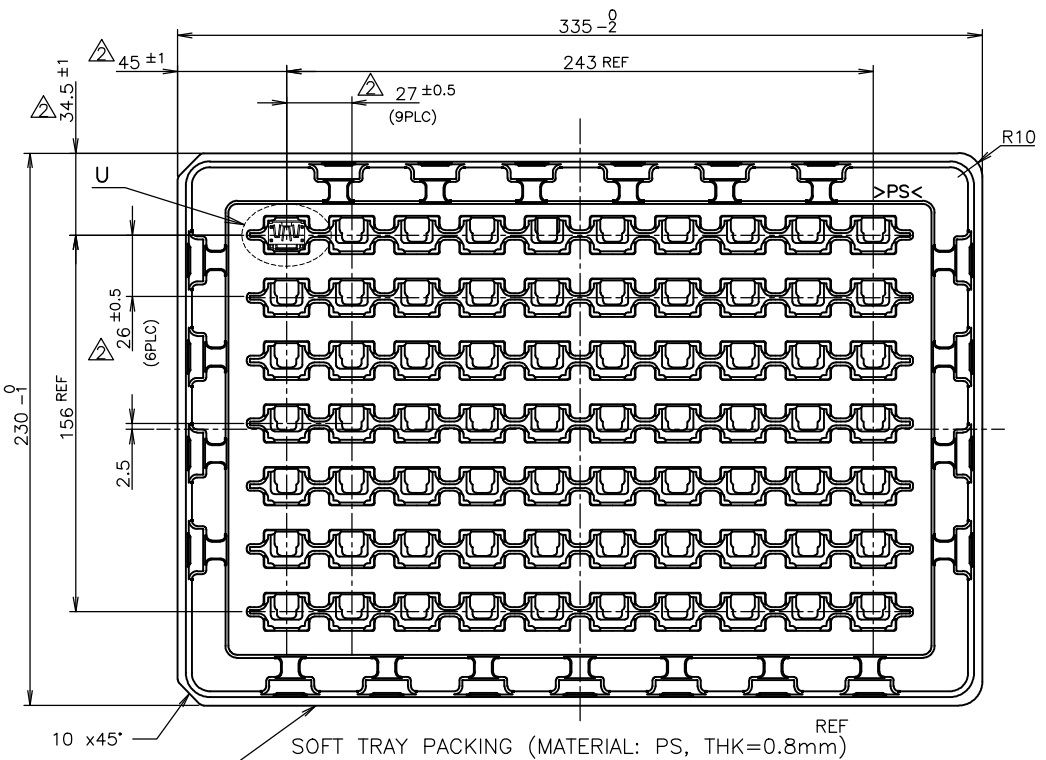
THIS DRAWING IS A CONTROLLED DOCUMENT.

DIMENSIONS: mm	TOLERANCES UNLESS OTHERWISE SPECIFIED:	DIN	TE Connectivity		
0 PLC ± 0.2	1 PLC ± 0.2	CHK	NAME		
2 PLC ± 0.2	3 PLC ± 0.2	APVD	HDMI 19 POS		
4 PLC ± 0.2	ANGLES ± ±	PRODUCT SPEC	RECEPTACLE ASSY SMT TYPE		
MATERIAL	FINISH	APPLICATION SPEC	-LEAD FREE-		
		WEIGHT	SIZE	CAGE CODE	DRAWING NO
			A3	00779	C=1747981
		CUSTOMER DRAWING	SCALE	SHEET	REV
			NTS	3 of 9	F8

70 WITH FLANGE TYPE 1-1747981-9

THIS DRAWING IS UNPUBLISHED. RELEASED FOR PUBLICATION SEP. 2005. ALL RIGHTS RESERVED.

LOC	DIST	REVISIONS		
P	LTR	DESCRIPTION	DATE	APVD
J		SEE SHEET 1		



70	WITH FLANGE TYPE	9-1747981-1
70	WITH FLANGE TYPE	8-1747981-1
70	WITH FLANGE TYPE	3-1747981-1
70	WITH FLANGE TYPE	2-1747981-1
70	WITH FLANGE TYPE	1-1747981-8
70	WITH FLANGE TYPE	1-1747981-4
70	WITH FLANGE TYPE	1-1747981-3
70	WITH FLANGE TYPE	1-1747981-2
70	WITH FLANGE TYPE	1-1747981-1
QTY	CONNECTOR TYPE	PART NUMBER

NOTICE: THIS COMMUNICATION INCLUDES TE CONNECTIVITY CONFIDENTIAL OR PROPRIETARY INFORMATION THAT MAY ALSO BE LEGALLY PRIVILEGED.

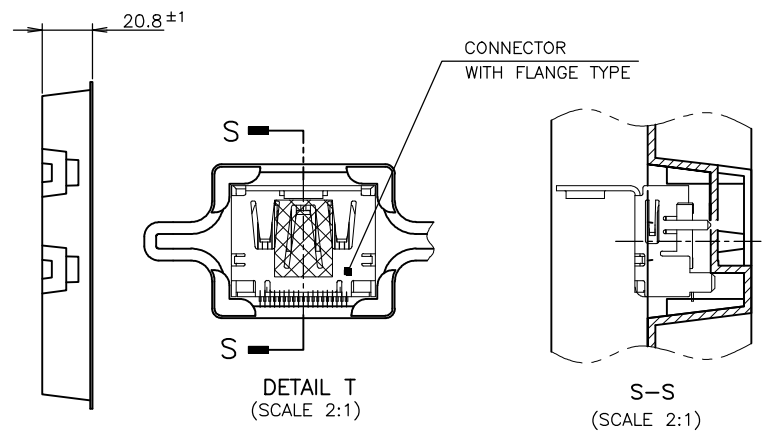
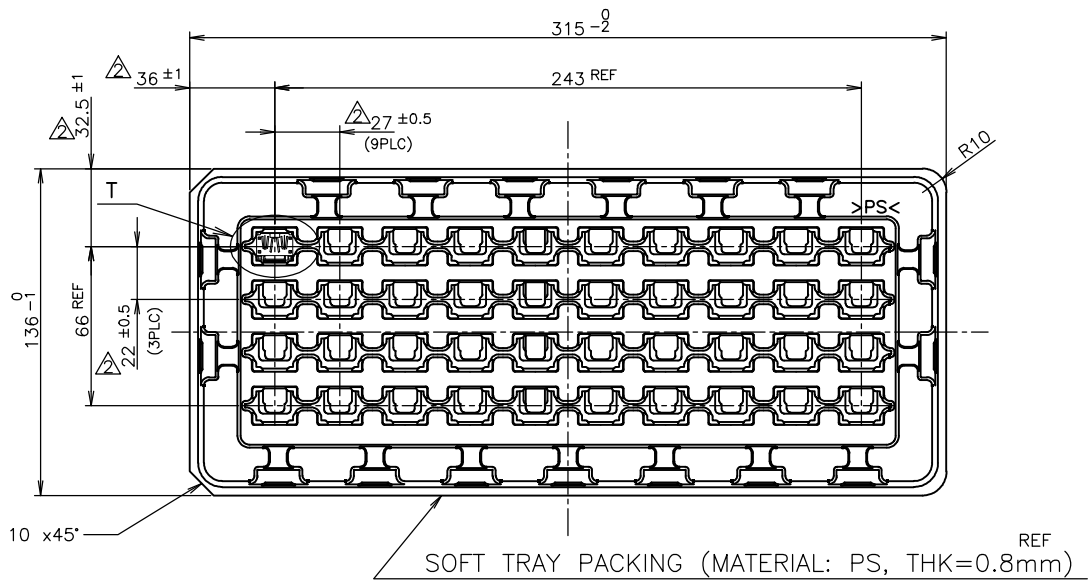
THIS DRAWING IS A CONTROLLED DOCUMENT.

DIMENSIONS: mm	TOLERANCES UNLESS OTHERWISE SPECIFIED:	0 PLC ± 0.2	1 PLC ± 0.2	2 PLC ± 0.2 ± 0.3	3 PLC ± 0.2	4 PLC ± 0.2	ANGLES ± -
MATERIAL	FINISH						

DWN	CHK	APVD	NAME
			HDMI 19 POS RECEPTACLE ASSY SMT TYPE -LEAD FREE-
PRODUCT SPEC	108-78180-1	SIZE	A3
APPLICATION SPEC		CAGE CODE	00779
WEIGHT		DRAWING NO	C=1747981
CUSTOMER DRAWING	SCALE	SHEET	4 of 9
	NTS	REV	F8

THIS DRAWING IS UNPUBLISHED. RELEASED FOR PUBLICATION SEP. 2005. ALL RIGHTS RESERVED.

LOC		DIST		REVISIONS			DATE	DWN	APVD
P	LTR	DESCRIPTION							
J		-		SEE SHEET 1					



NOTICE: THIS COMMUNICATION INCLUDES TE CONNECTIVITY CONFIDENTIAL OR PROPRIETARY INFORMATION THAT MAY ALSO BE LEGALLY PRIVILEGED.

THIS DRAWING IS A CONTROLLED DOCUMENT.

DIMENSIONS: mm	TOLERANCES UNLESS OTHERWISE SPECIFIED:
0 PLC	± 0.2
1 PLC	± 0.2
2 PLC	± 0.2 ± 0.3
3 PLC	± 0.2
4 PLC	± 0.2
ANGLES	± -
MATERIAL	FINISH

40	WITH FLANGE TYPE	1-1747981-6
QTY	CONNECTOR TYPE	PART NUMBER
NAME: HDMI 19 POS RECEPTACLE ASSY SMT TYPE -LEAD FREE-		
SIZE: A3	CAGE CODE: 00779	DRAWING NO: C=1747981
CUSTOMER DRAWING		RESTRICTED TO: -
SCALE: NTS	SHEET: 5 of 9	REV: F8

THIS DRAWING IS UNPUBLISHED.

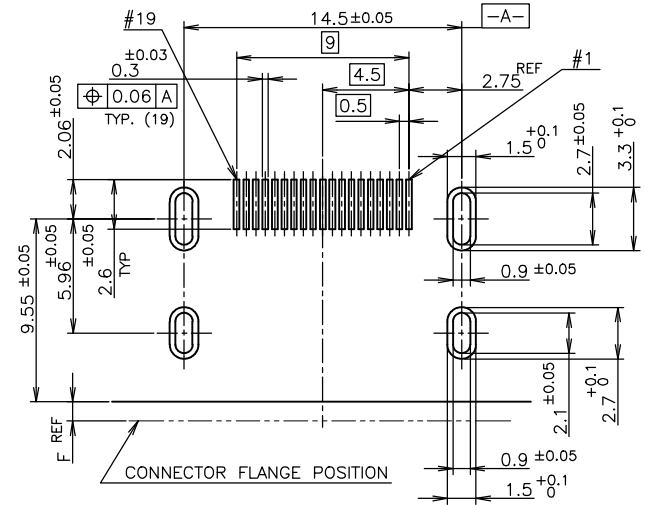
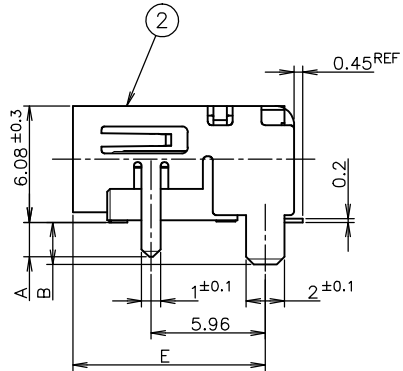
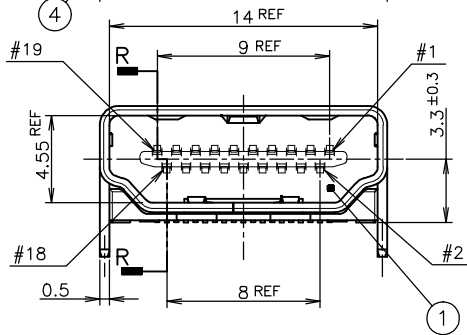
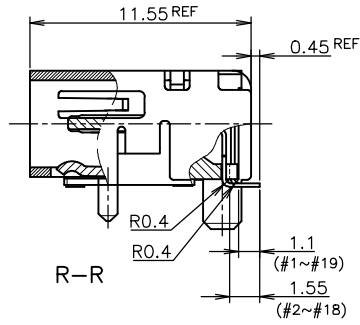
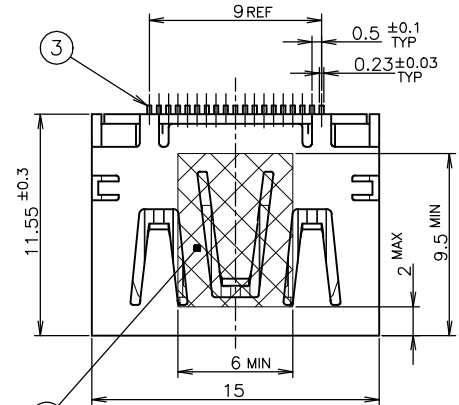
RELEASED FOR PUBLICATION

SEP. 2005.

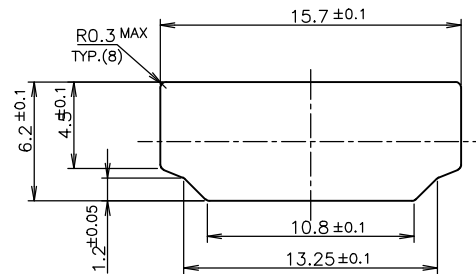
© COPYRIGHT 2005 By -

ALL RIGHTS RESERVED.

LOC	DIST	REVISIONS			
P	LTR	DESCRIPTION	DATE	DWN	APVD
J		SEE SHEET 1	-	-	-



P.C.B LAYOUT
SHOWN AS CONNECTOR MOUNTING SIDE
TOLERANCE: NON-CUMULATIVE
(REFERENCE)



PANEL CUT OUT DIMENSION
(REFERENCE)

CONNECTOR WITHOUT FLANGE TYPE

NOTICE: THIS COMMUNICATION INCLUDES TE CONNECTIVITY CONFIDENTIAL OR PROPRIETARY INFORMATION THAT MAY ALSO BE LEGALLY PRIVILEGED.

THICKNESS	COLOR	MATERIAL	QTY	DISCRIPTION	ITEM
0.08mm	Brown	POLYIMIDE	1	POLYIMIDE TAPE	④
		COPPER ALLOY	19	CONTACT	③
		COPPER ALLOY	1	SHELL	②
		THERMOPLASTIC UL94V-0, BLACK COLOR	1	HOUSING	①
FINISH		MATERIAL	QTY	DISCRIPTION	ITEM

THIS DRAWING IS A CONTROLLED DOCUMENT.

DIMENSIONS: mm	TOLERANCES UNLESS OTHERWISE SPECIFIED:	DWN	TE Connectivity	
	0 PLC ± 0.2	CHK	NAME	
	1 PLC ± 0.2	APVD	HDMI 19 POS	
	2 PLC ± 0.2	PRODUCT SPEC	RECEPTACLE ASSY SMT TYPE	
	3 PLC ± 0.2	APPLICATION SPEC	-LEAD FREE-	
	4 PLC ± 0.2	WEIGHT	SIZE	CAGE CODE
	ANGLES ± ±	CUSTOMER DRAWING	A3	00779
MATERIAL	FINISH	SCALE	DRAWING NO	RESTRICTED TO
		4:1	C=1747981	
		SHEET	6	OF 9
		REV	F8	

THIS DRAWING IS UNPUBLISHED.

RELEASED FOR PUBLICATION

SEP. 2005.

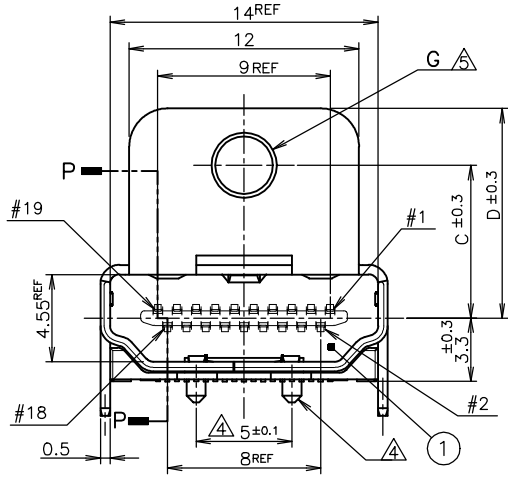
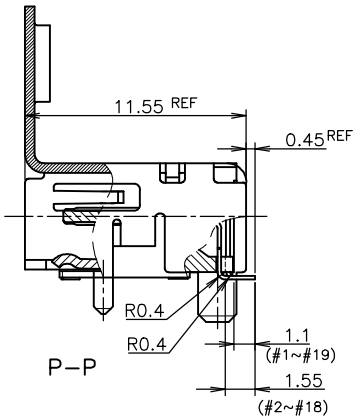
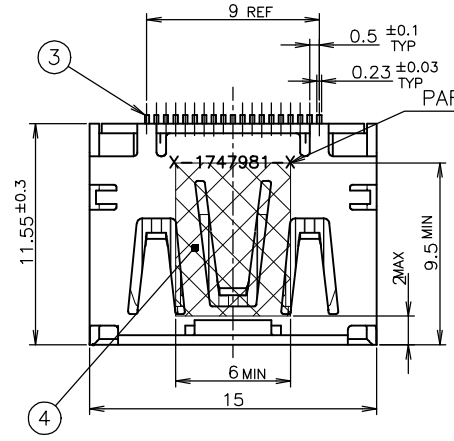
© COPYRIGHT 2005 By -

ALL RIGHTS RESERVED.

LOC J
DIST

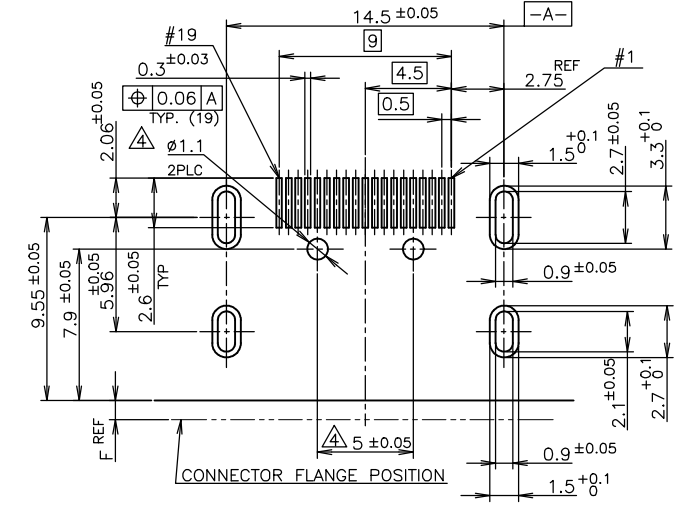
REVISIONS

P	LTR	DESCRIPTION	DATE	DWN	APVD
-	-	SEE SHEET 1	-	-	-

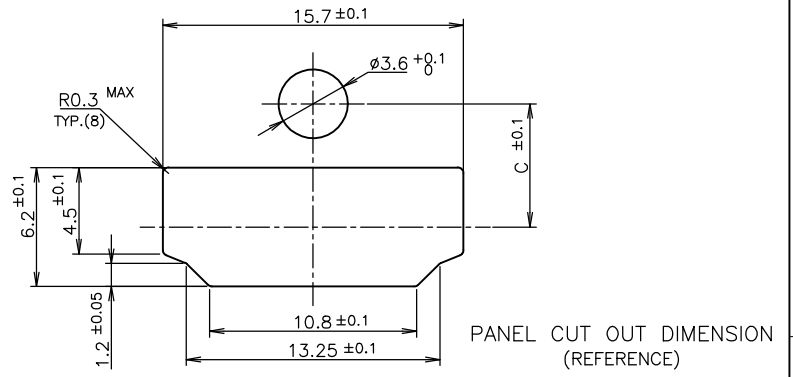
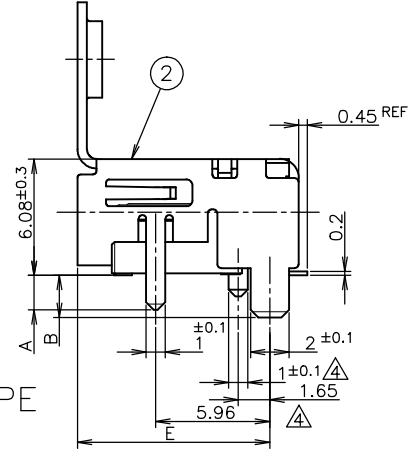


CONNECTOR WITH FLANGE TYPE

NOTICE: THIS COMMUNICATION INCLUDES TE CONNECTIVITY CONFIDENTIAL OR PROPRIETARY INFORMATION THAT MAY ALSO BE LEGALLY PRIVILEGED.



P.C.B LAYOUT SHOWN AS CONNECTOR MOUNTING SIDE TOLERANCE: NON-CUMULATIVE (REFERENCE)



PANEL CUT OUT DIMENSION (REFERENCE)

THIS DRAWING IS A CONTROLLED DOCUMENT.

DIMENSIONS: mm TOLERANCES UNLESS OTHERWISE SPECIFIED:

0 PLC	± 0.2
1 PLC	± 0.2
2 PLC	± 0.2
3 PLC	± 0.2
4 PLC	± 0.2
ANGLES	±

MATERIAL FINISH

DWN	CHK	APVD	PRODUCT SPEC	108-78180-1
APVD	PRODUCT SPEC	APPLICATION SPEC	WEIGHT	CUSTOMER DRAWING

		TE Connectivity	
NAME		HDMI 19 POS RECEPTACLE ASSY SMT TYPE -LEAD FREE-	
SIZE	CAGE CODE	DRAWING NO	RESTRICTED TO
A3	00779	C-1747981	
SCALE NTS		SHEET 7 OF 9	REV F8

THICKNESS	COLOR	MATERIAL	QTY	DISCRIPTION	ITEM
0.08	Brown	POLYIMIDE	1	POLYIMIDE TAPE	④
		COPPER ALLOY	19	CONTACT	③
		COPPER ALLOY	1	SHELL	②
		THERMOPLASTIC UL94V-0, BLACK COLOR	1	HOUSING	①
FINISH		MATERIAL	QTY	DISCRIPTION	ITEM

4

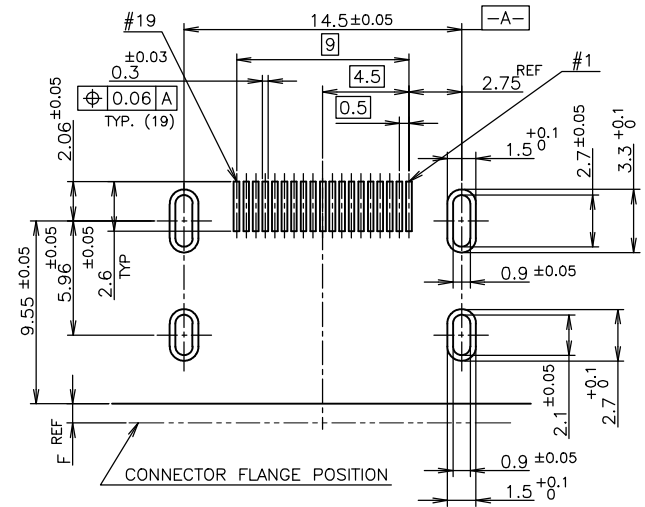
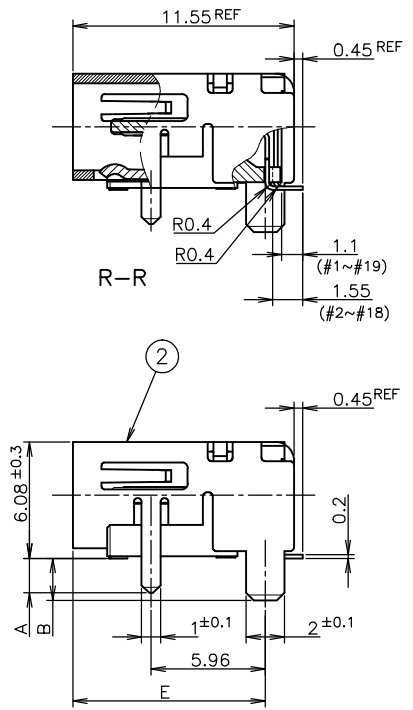
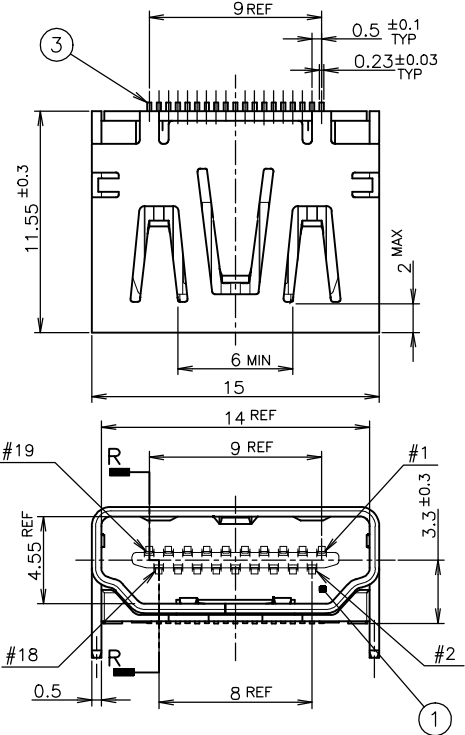
3

2

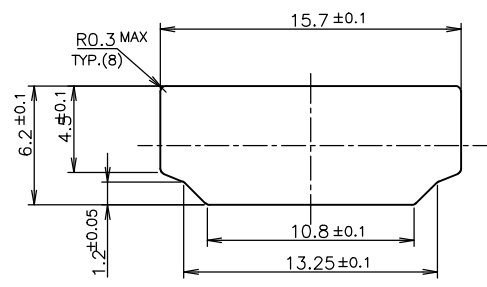
1

THIS DRAWING IS UNPUBLISHED. RELEASED FOR PUBLICATION SEP. 2005.
 © COPYRIGHT 2005 By - ALL RIGHTS RESERVED.

LOC	DIST	REVISIONS			
P	LTR	DESCRIPTION	DATE	DWN	APVD
-	-	SEE SHEET 1	-	-	-



P.C.B LAYOUT SHOWN AS CONNECTOR MOUNTING SIDE TOLERANCE: NON-CUMULATIVE (REFERENCE)



PANEL CUT OUT DIMENSION (REFERENCE)

CONNECTOR WITHOUT FLANGE TYPE

NOTICE: THIS COMMUNICATION INCLUDES TE CONNECTIVITY CONFIDENTIAL OR PROPRIETARY INFORMATION THAT MAY ALSO BE LEGALLY PRIVILEGED.

THIS DRAWING IS A CONTROLLED DOCUMENT.				DWN	TE Connectivity			
DIMENSIONS: mm				CHK	NAME			
TOLERANCES UNLESS OTHERWISE SPECIFIED:				APVD	HDMI 19 POS RECEPTACLE ASSY SMT TYPE -LEAD FREE-			
0 PLC ± 0.2				PRODUCT SPEC	108-78180-1			
1 PLC ± 0.2				APPLICATION SPEC	A300779 C=1747981			
2 PLC ± 0.2				WEIGHT	SCALE 4:1 SHEET 8 OF 9 REV F8			
3 PLC ± 0.2				CUSTOMER DRAWING	RESTRICTED TO			
4 PLC ± 0.2								
ANGLES ±								
FINISH								

FINISH	MATERIAL	QTY	DISCRIPTION	ITEM
	COPPER ALLOY	19	CONTACT	③
	COPPER ALLOY	1	SHELL	②
	THERMOPLASTIC UL94V-0, BLACK COLOR	1	HOUSING	①

THIS DRAWING IS UNPUBLISHED.

RELEASED FOR PUBLICATION

SEP. 2005.

© COPYRIGHT 2005 By -

ALL RIGHTS RESERVED.

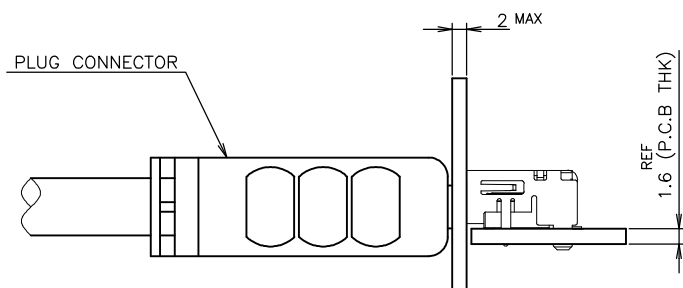
LOC

DIST

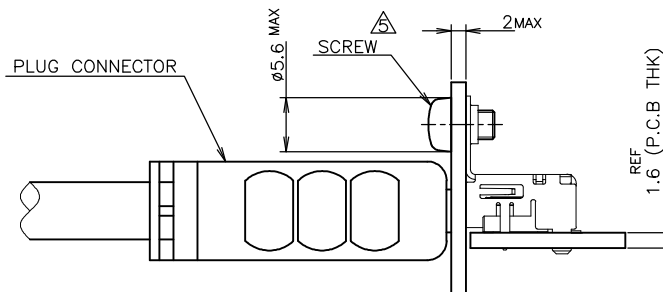
REVISIONS

P	LTR	DESCRIPTION	DATE	DWN	APVD
-	-	SEE SHEET 1	-	-	-

NOTICE: THIS COMMUNICATION INCLUDES TE CONNECTIVITY CONFIDENTIAL OR PROPRIETARY INFORMATION THAT MAY ALSO BE LEGALLY PRIVILEGED.



CONNECTOR WITHOUT FLANGE TYPE



CONNECTOR WITH FLANGE TYPE

MATING CONDITION (REFERENCE)
(SCALE 2:1)

THIS DRAWING IS A CONTROLLED DOCUMENT.		DWN	TE TE Connectivity	
DIMENSIONS: mm		CHK		
TOLERANCES UNLESS OTHERWISE SPECIFIED:		APVD	NAME	
0 PLC ± 0.2		PRODUCT SPEC	HDMI 19 POS	
1 PLC ± 0.2		APPLICATION SPEC	RECEPTACLE ASSY SMT TYPE	
2 PLC ± 0.2		108-78180-1	-LEAD FREE-	
3 PLC ± 0.2		WEIGHT	SIZE	CAGE CODE
4 PLC ± 0.2		MATERIAL	A3	00779
ANGLES ± -		FINISH	DRAWING NO	RESTRICTED TO
			C-1747981	
		CUSTOMER DRAWING	SCALE 2:1	SHEET 9 OF 9
			REV F8	

Mouser Electronics

Authorized Distributor

Click to View Pricing, Inventory, Delivery & Lifecycle Information:

[TE Connectivity:](#)

[1-1747981-5](#)