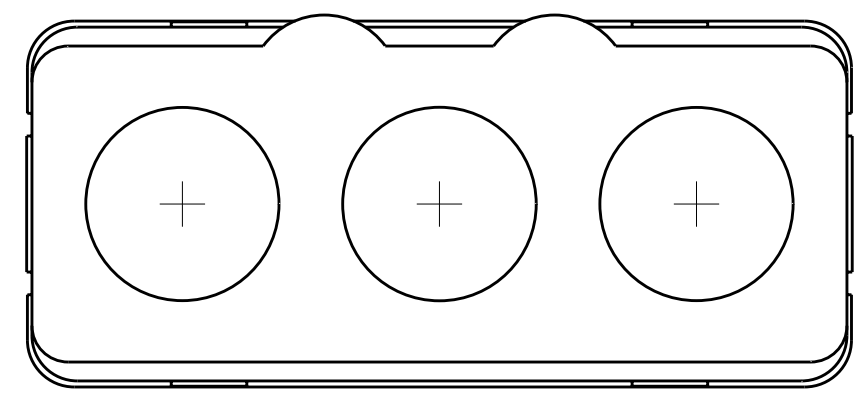
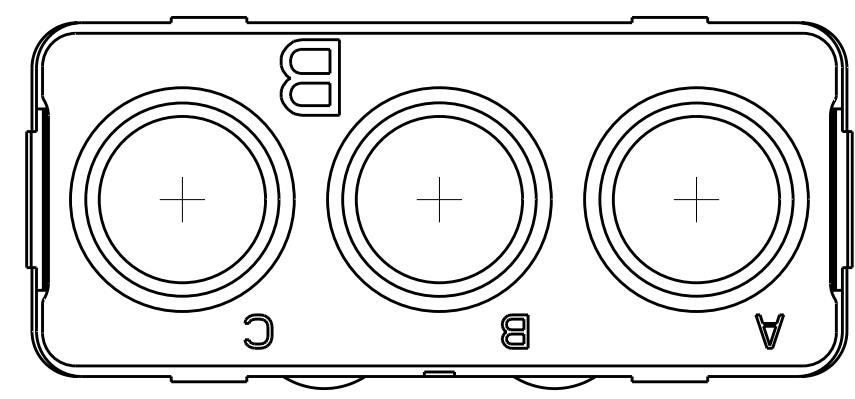
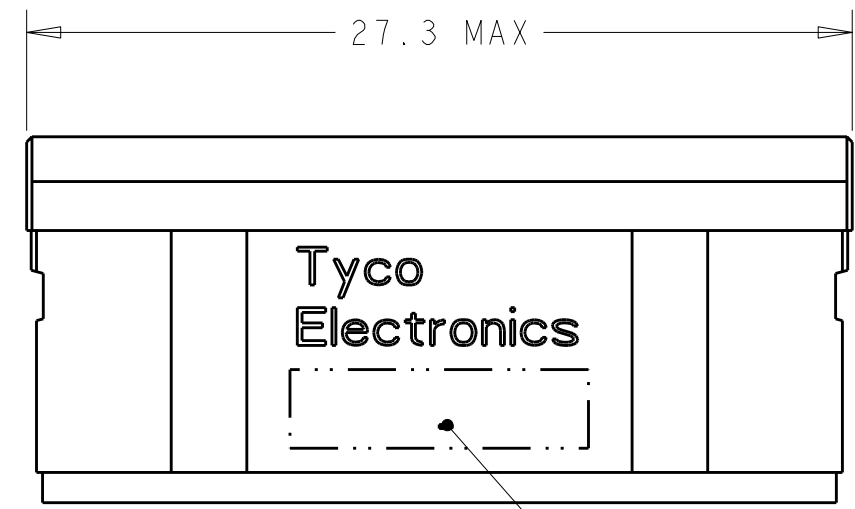
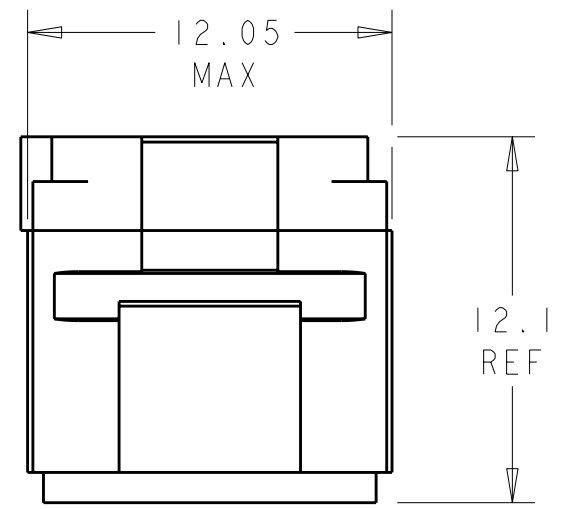


THIS DRAWING IS UNPUBLISHED. RELEASED FOR PUBLICATION  
 © COPYRIGHT BY ALL RIGHTS RESERVED.

REVISIONS							
LOC	DIST	P	LTR	DESCRIPTION	DATE	DWN	APVD
-	-	B		REV PER ECO 11-024114	12-2-11	CT	MS



MATING FACE



- 1 FRONT & REAR INSULATOR: HIGH-TEMP THERMOPLASTIC OR THERMOSET EPOXY PER ASTM D5948.  
CONTACT RETENTION CLIPS: STAINLESS STEEL PER AISI 302 OR COPPER ALLOY PER ASTM B194
- 2 TE PART NO. AND DATE CODE: YEAR & WEEK (YY WW)
- 3. DESCRIPTIVE PART NUMBER GPRBNC3PB  
THIS INSERT CONTAINS: 3 CAVITIES FOR SIZE 5 PIN COAX CONTACTS
- 4. THIS PRODUCT IS SOLD BY TYCO ELECTRONICS UNDER A LICENSE FROM RADIAL SA.

1738093-1  
PART NUMBER

THIS DRAWING IS A CONTROLLED DOCUMENT.		DWN	BH	06MAY10	TE Connectivity NAME INSERT ASSEMBLY, PIN, NON-ENVIRONMENTAL ARRANGEMENT C3, KEY B, GPRB
DIMENSIONS:		CHK	JPM	06MAY10	
mm		APVD	JPM	06MAY10	
TOLERANCES UNLESS OTHERWISE SPECIFIED: 0 PLC ±- 1 PLC ±0.1 2 PLC ±0.05 3 PLC ±- 4 PLC ±- ANGLES ±- FINISH ±1		PRODUCT SPEC	-	APPLICATION SPEC	
MATERIAL	1	WEIGHT	-	SIZE	A200779
		CUSTOMER DRAWING		DRAWING NO	C-1738093
				RESTRICTED TO	-
				SCALE	4:1
				SHEET	1 OF 1
				REV	B

# Mouser Electronics

Authorized Distributor

Click to View Pricing, Inventory, Delivery & Lifecycle Information:

[TE Connectivity:](#)

[1738093-1](#)