

4

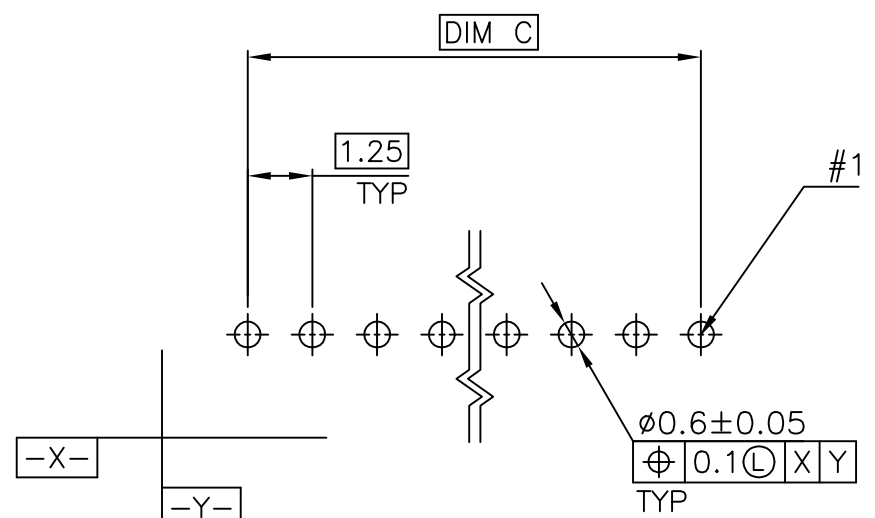
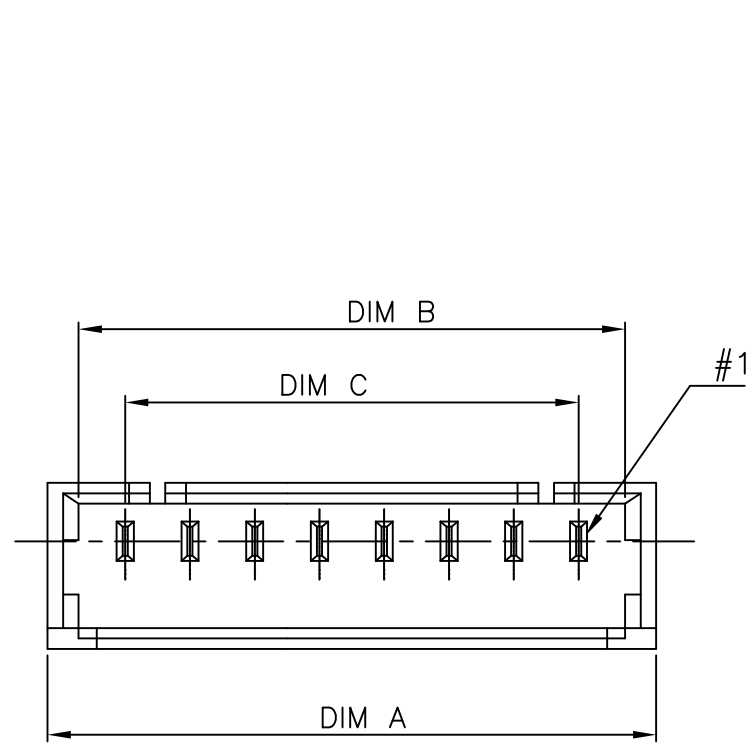
3

2

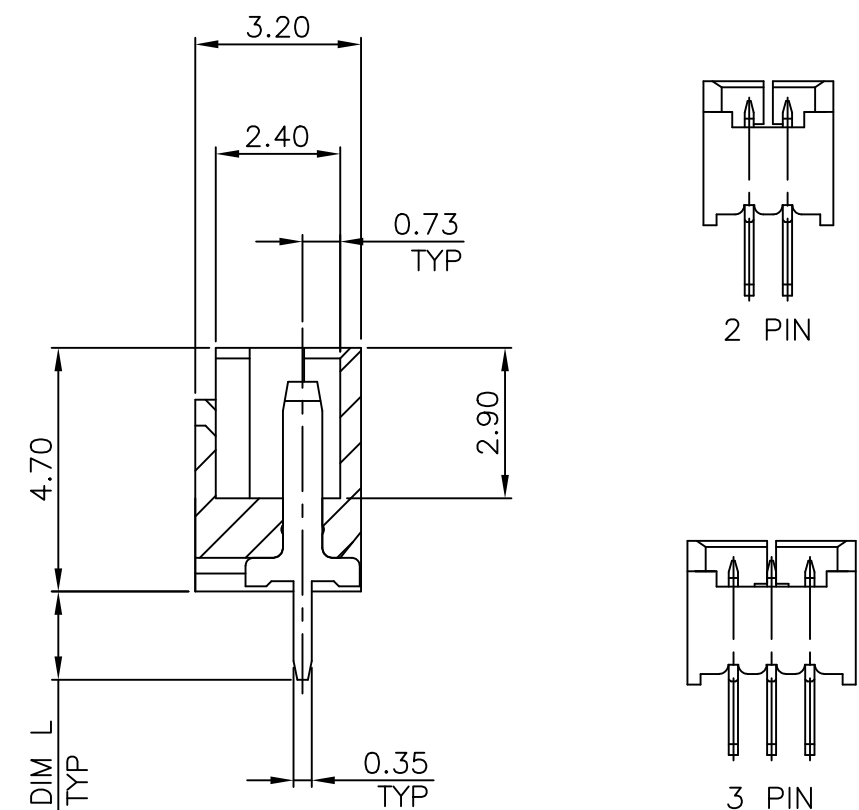
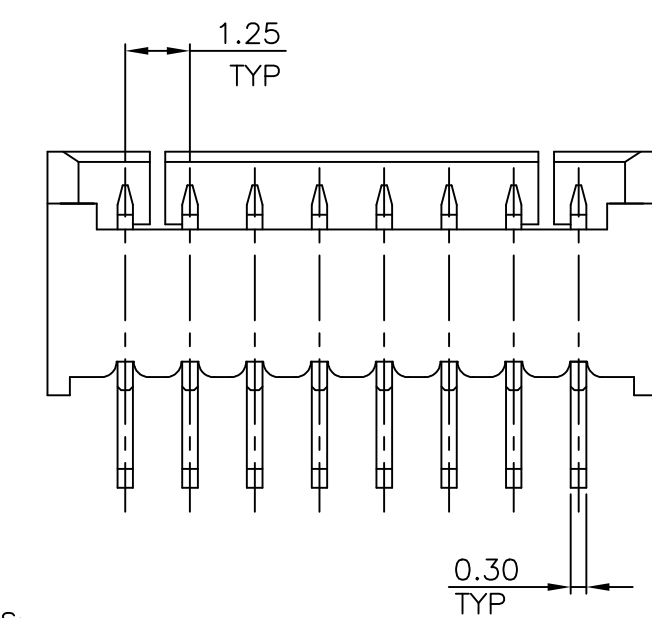
1

THIS DRAWING IS UNPUBLISHED. RELEASED FOR PUBLICATION
 © COPYRIGHT 2013 BY TE CONNECTIVITY. ALL RIGHTS RESERVED.

LOC	DIST	REVISIONS					
DW	-	P	LTR	DESCRIPTION	DATE	DWN	APVD
		R2		ECR-18-014164	29NOV18	T.Q	W.H



RECOMMENDED PCB LAYOUT (TOP VIEW)
 TOLERANCE: ±0.05, THICKNESS: 1.2MM ~ 1.8MM



DIM. L	DIM. C	DIM. B	DIM. A	NO. OF CONTACTS	PART NUMBER	
3.70	2.30	5.00	6.80	8.00	5	6-1734598-0
	17.50	19.30	20.50	15	5-1734598-5	
	16.25	18.05	19.25	14	5-1734598-4	
	15.00	16.80	18.00	13	5-1734598-3	
	13.75	15.55	16.75	12	5-1734598-2	
	12.50	14.30	15.50	11	5-1734598-1	
	11.25	13.05	14.25	10	5-1734598-0	
	10.00	11.80	13.00	9	4-1734598-9	
	8.75	10.55	11.75	8	4-1734598-8	
	7.50	9.30	10.50	7	4-1734598-7	
	6.25	8.05	9.25	6	4-1734598-6	
	5.00	6.80	8.00	5	4-1734598-5	
	3.75	5.55	6.75	4	4-1734598-4	
	2.50	4.30	5.50	3	4-1734598-3	
	1.25	3.05	4.25	2	4-1734598-2	
2.30	17.50	19.30	20.50	15	3-1734598-5	
	16.25	18.05	19.25	14	3-1734598-4	
	15.00	16.80	18.00	13	3-1734598-3	
	13.75	15.55	16.75	12	3-1734598-2	
	12.50	14.30	15.50	11	3-1734598-1	
	11.25	13.05	14.25	10	3-1734598-0	
	10.00	11.80	13.00	9	2-1734598-9	
	8.75	10.55	11.75	8	2-1734598-8	
	7.50	9.30	10.50	7	2-1734598-7	
	6.25	8.05	9.25	6	2-1734598-6	
	5.00	6.80	8.00	5	2-1734598-5	
	3.75	5.55	6.75	4	2-1734598-4	
	2.50	4.30	5.50	3	2-1734598-3	
	1.25	3.05	4.25	2	2-1734598-2	
	1.70	17.50	19.30	20.50	15	1-1734598-5
16.25		18.05	19.25	14	1-1734598-4	
15.00		16.80	18.00	13	1-1734598-3	
13.75		15.55	16.75	12	1-1734598-2	
12.50		14.30	15.50	11	1-1734598-1	
11.25		13.05	14.25	10	1-1734598-0	
10.00		11.80	13.00	9	1734598-9	
8.75		10.55	11.75	8	1734598-8	
7.50		9.30	10.50	7	1734598-7	
6.25		8.05	9.25	6	1734598-6	
5.00		6.80	8.00	5	1734598-5	
3.75		5.55	6.75	4	1734598-4	
2.50		4.30	5.50	3	1734598-3	
1.25		3.05	4.25	2	1734598-2	

- NOTES:
- MATERIAL:
HOUSING: PA9T W/ 30% GF, UL94 V-0, NATURAL COLOR.
CONTACTS: PHOSPHOR BRONZE.
 - FINISH:
CONTACTS: 120μ" MIN. MATTE-TIN OVER 50μ" MIN. NICKEL PLATED.
 ⚠ 0.762μm [30μ"] MIN. GOLD PLATED ON CONTACT AREA,
 GOLD FLASH ON SOLDER TAILS, 1.27μm [50μ"] MIN. NICKEL ON ENTIRE CONTACT.
 - NO TE LOGO AND DATE CODE ON THE PRODUCT.

THIS DRAWING IS A CONTROLLED DOCUMENT.

DIMENSIONS: MM	TOLERANCES UNLESS OTHERWISE SPECIFIED:	DWN A. WU 30DEC2005	TE Connectivity NAME 1.25 MM PITCH WIRE-TO-BOARD CONNECTOR, HEADER, DIP, VERTICAL
	0 PLC ± -	CHK S. HOU 30DEC2005	
	1 PLC ± 0.3	APVD W.J. KE 30DEC2005	
	2 PLC ± 0.2	PRODUCT SPEC 108-57273	
MATERIAL SEE NOTE	FINISH SEE NOTE	APPLICATION SPEC -	RESTRICTED TO -
		WEIGHT -	SIZE A3 CAGE CODE 00779 DRAWING NO C=1734598
		CUSTOMER DRAWING	SCALE - SHEET 1 of 4 REV R2

THIS DRAWING IS UNPUBLISHED.

RELEASED FOR PUBLICATION

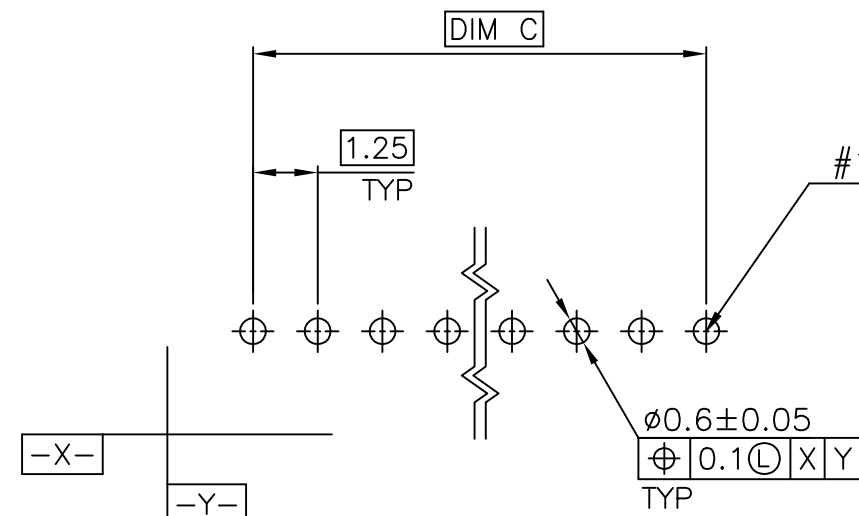
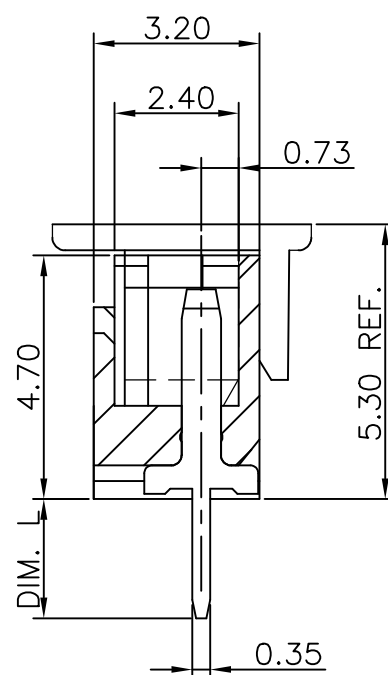
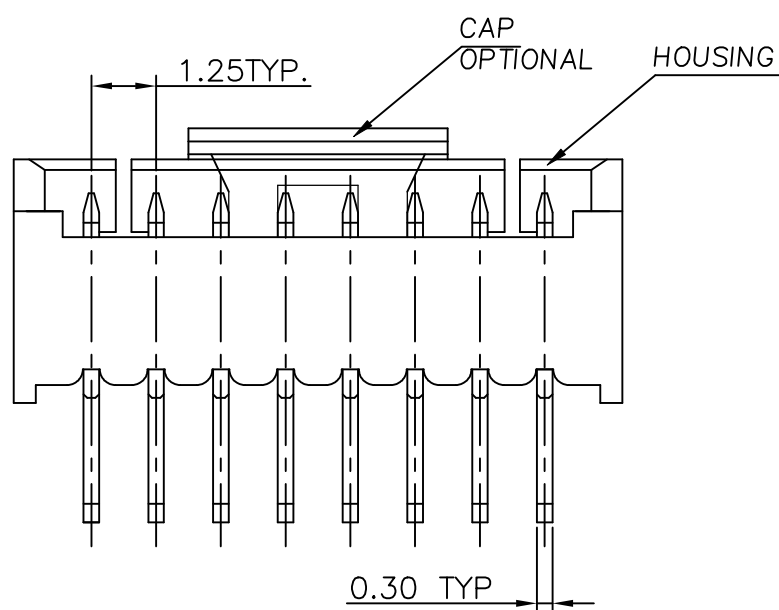
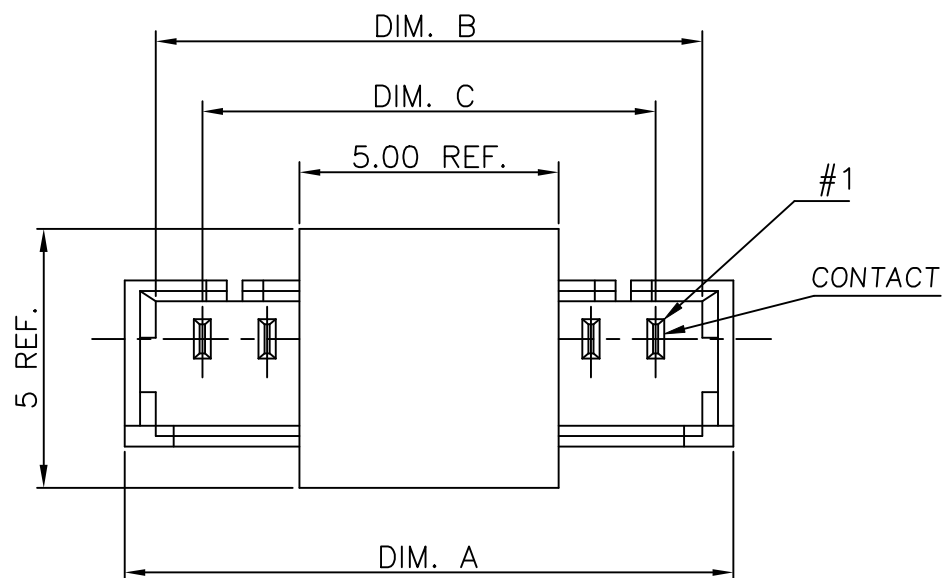
© COPYRIGHT 2013 BY TE CONNECTIVITY.

ALL RIGHTS RESERVED.

LOC	DIST	REVISIONS					
DW	-	P	LTR	DESCRIPTION	DATE	DWN	APVD
				SEE SHEET 1			

NOTE:

- MATERIAL:
HOUSING: THERMOPLASTIC (LCP) WITH 30% GF, UL 94V-0, NATURE COLOR.
CAP: THERMOPLASTIC (LCP) WITH 30% GF, UL 94V-0, COLOR BLACK
CONTACTS: PHOSPHOR BRONZE.
- FINISH:
CONTACTS: 3.048μm[120μ"] MIN. MATTE-TIN OVER
1.27μm[50μ"]MIN. NICKEL ON ENTIRE CONTACT.
- REFLOW SOLDER CAPABLE TO 260°C PER TE SPEC. TEC-109-201, CONDITION B.
- LOW HALOGEN SPECIFICATION:
CHLORINE(Cl): 900ppm MAX.
BROMINE(Br): 900ppm MAX.
- NO TE LOGO AND DATE CODE ON THE PRODUCT.
- PACKAGE : TAPE AND REEL TYPE (SEE PAGE 4)



RECOMMENDED PCB LAYOUT (TOP VIEW)
TOLERANCE: ±0.05, THICKNESS: 1.6MM

WITHOUT	2.30	8.75	10.55	11.75	8	6-1734598-2
WITH	2.30	8.75	10.55	11.75	8	6-1734598-1
CAP STATUS	DIM. L	DIM. C	DIM. B	DIM. A	NO. OF CONTACTS	PART NUMBER

THIS DRAWING IS A CONTROLLED DOCUMENT.		DWN	TE TE Connectivity			
DIMENSIONS: MM		CHK				
TOLERANCES UNLESS OTHERWISE SPECIFIED:		APVD	NAME			
0 PLC ± -		PRODUCT SPEC	1.25 MM PITCH WIRE-TO-BOARD CONNECTOR, HEADER, DIP, VERTICAL			
1 PLC ± -		APPLICATION SPEC	SIZE	CAGE CODE	DRAWING NO	RESTRICTED TO
2 PLC ± -		WEIGHT	A3	00779	C=1734598	-
3 PLC ± -		CUSTOMER DRAWING	SCALE	SHEET	REV	
4 PLC ± -			-	2 of 4	R2	
ANGLES ± -						
MATERIAL						
FINISH						

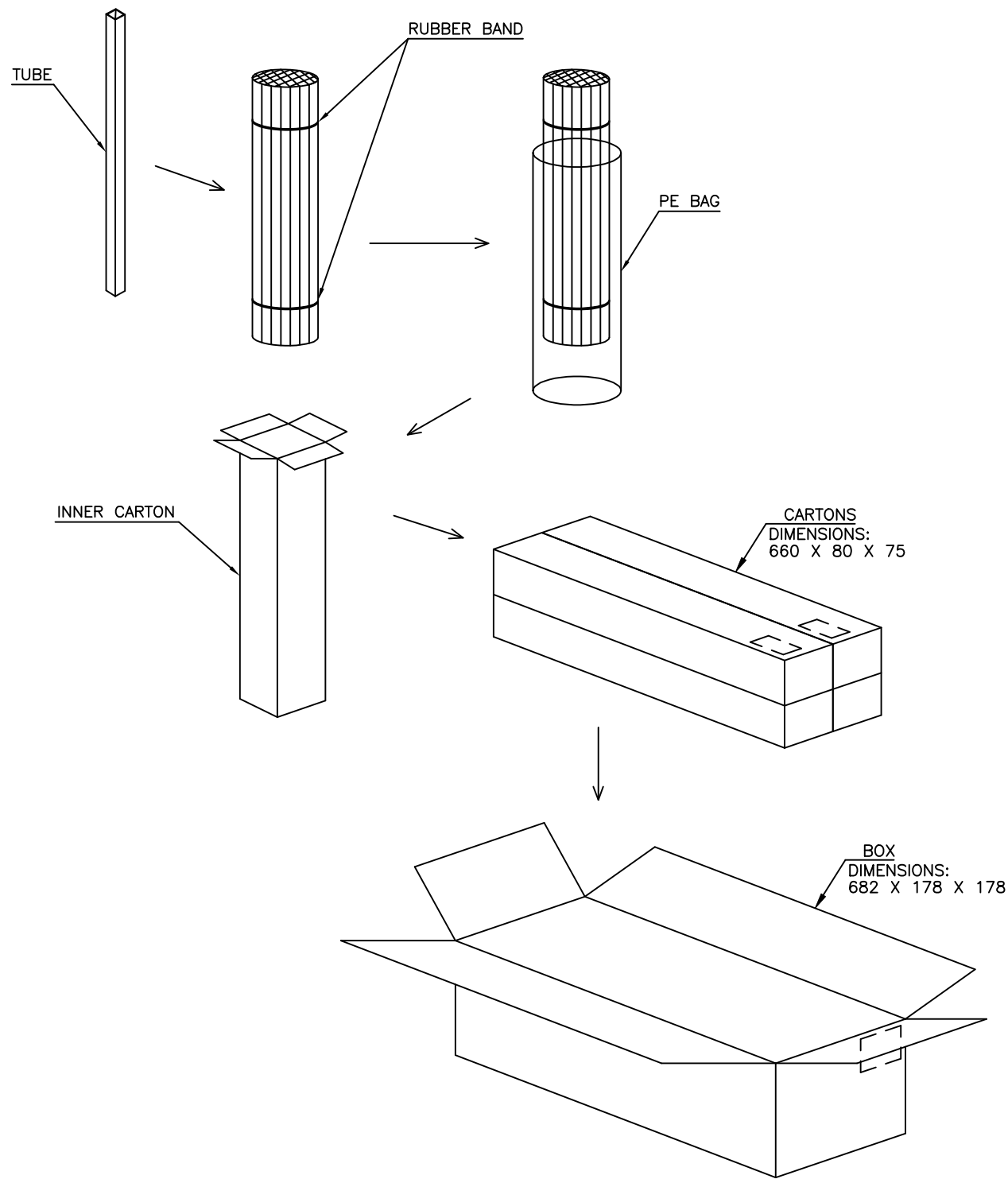
THIS DRAWING IS UNPUBLISHED.

RELEASED FOR PUBLICATION

© COPYRIGHT 2013 BY TE CONNECTIVITY.

ALL RIGHTS RESERVED.

LOC	DIST	REVISIONS					
DW	-	P	LTR	DESCRIPTION	DATE	DWN	APVD
				SEE SHEET 1			



NOTE:

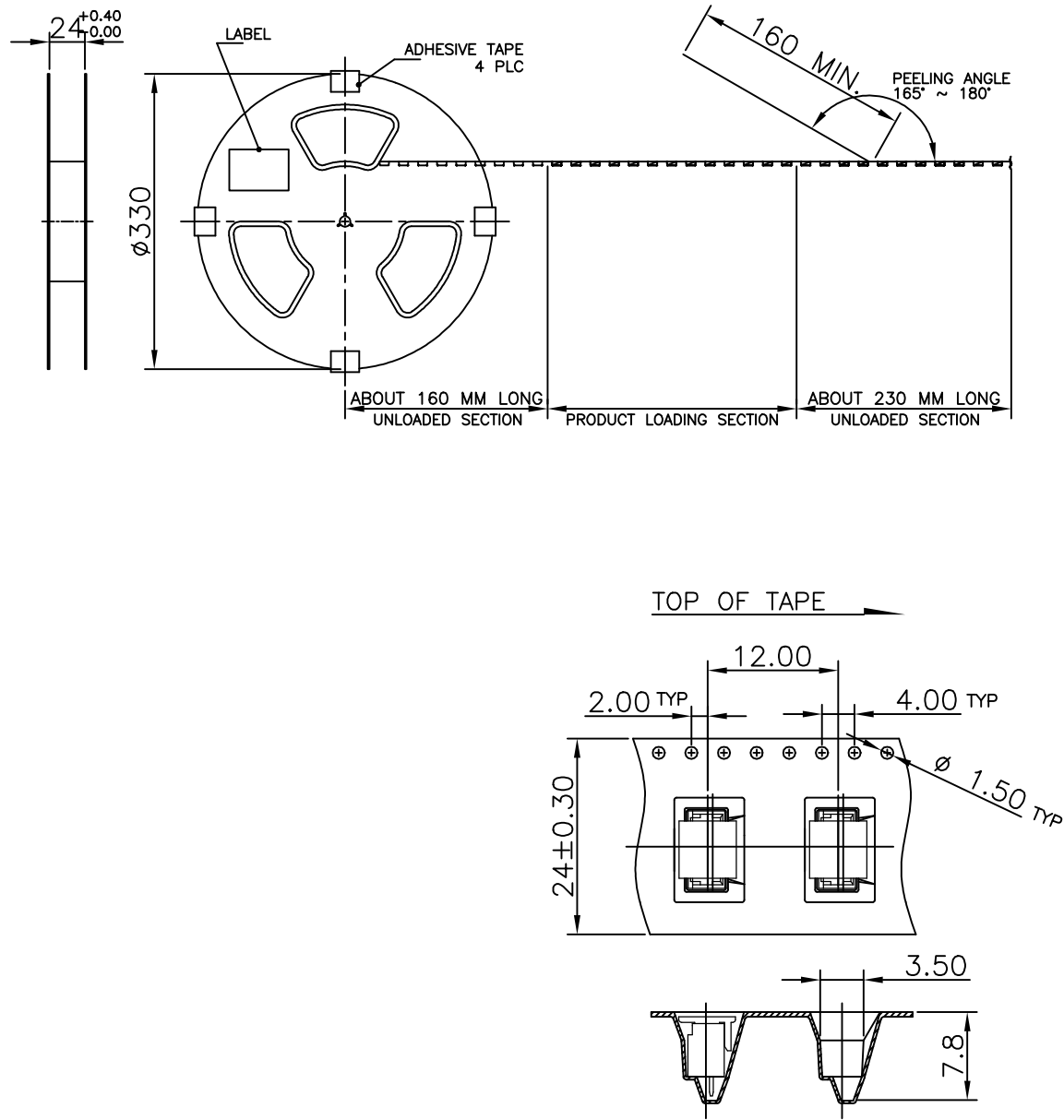
- 1. PN 6-1734598-1
- 6-1734598-2 SEE NEXT PAGE

200	6000	30	5.948	2.178	15
	6400	32	5.920	2.150	14
	6800	34	5.919	2.148	13
	7200	36	5.959	2.188	12
	7800	39	5.868	2.098	11
	8600	43	5.972	2.201	10
	9400	47	5.970	2.199	9
	10400	52	5.954	2.184	8
	11600	58	5.974	2.204	7
	13200	66	5.850	2.112	6
	15200	76	5.929	2.158	5
	18000	90	5.930	2.160	4
22000	110	5.950	2.178	3	
28200	141	5.915	2.143	2	
TUBES/BOX	QUANTITY	PCS/TUBE	G/W (KG)	N/W (KG)	NO. OF CONTACTS

THIS DRAWING IS A CONTROLLED DOCUMENT.		DWN	TE Connectivity		
DIMENSIONS: MM		CHK	NAME		
TOLERANCES UNLESS OTHERWISE SPECIFIED:		APVD	1.25 MM PITCH WIRE-TO-BOARD CONNECTOR, HEADER, DIP, VERTICAL		
0 PLC ± -		PRODUCT SPEC	SIZE CAGE CODE DRAWING NO RESTRICTED TO		
1 PLC ± -		APPLICATION SPEC	A3 00779 C=1734598 -		
2 PLC ± -		WEIGHT	SCALE SHEET REV		
3 PLC ± -		CUSTOMER DRAWING	- 3 of 4 R2		
4 PLC ± -					
ANGLES ± -					
MATERIAL					
FINISH					

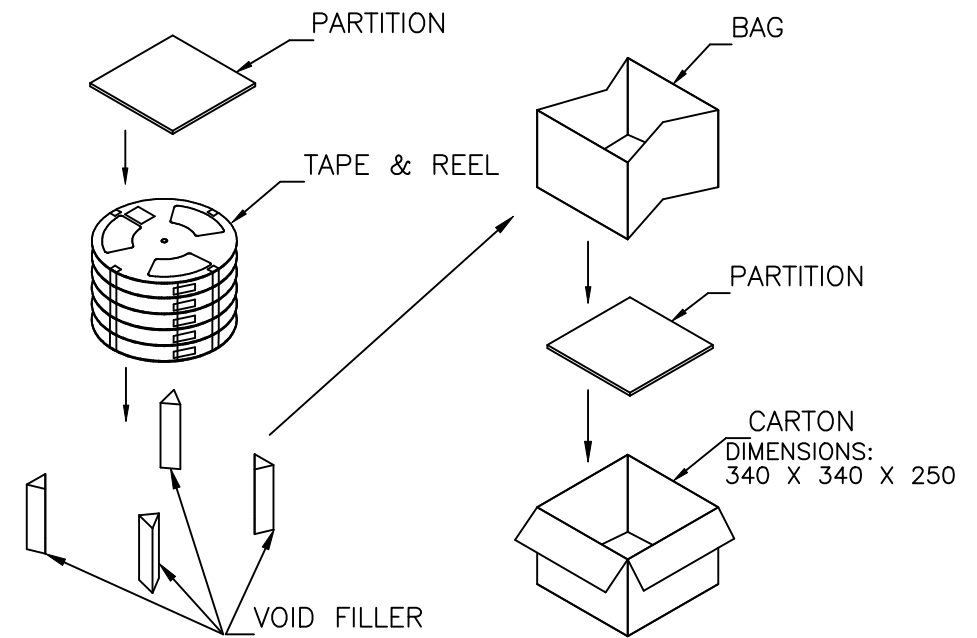
THIS DRAWING IS UNPUBLISHED. RELEASED FOR PUBLICATION
 © COPYRIGHT 2013 BY TE CONNECTIVITY. ALL RIGHTS RESERVED.

LOC	DIST	REVISIONS				
P	LTR	DESCRIPTION	DATE	DWN	APVD	
DW	-	SEE SHEET 1				



NOTE:

1. PEELING FORCE: 10g ~ 130g.
2. PEELING SPEED: 300mm/min.(REFERENCE)



5.44	0.61	700	7	4900	6-1734598-2
5.7	0.87	700	7	4900	6-1734598-1
G/W (Kg)	N/W (Kg)	PCS/TAPE	REELS/BOX	NO. OF CONNECTORS	PART NUMBER

THIS DRAWING IS A CONTROLLED DOCUMENT.		DWN	TE Connectivity			
DIMENSIONS: MM		CHK	NAME			
TOLERANCES UNLESS OTHERWISE SPECIFIED:		APVD	1.25 MM PITCH WIRE-TO-BOARD CONNECTOR, HEADER, DIP, VERTICAL			
0 PLC ± -		PRODUCT SPEC	SIZE CAGE CODE DRAWING NO RESTRICTED TO			
1 PLC ± -		APPLICATION SPEC	A3 00779 C-1734598			
2 PLC ± -		WEIGHT	CUSTOMER DRAWING SCALE SHEET 4 of 4 REV R2			
3 PLC ± -						
4 PLC ± -						
ANGLES ± -						
FINISH						

Mouser Electronics

Authorized Distributor

Click to View Pricing, Inventory, Delivery & Lifecycle Information:

[TE Connectivity:](#)

[2-1734598-5](#)