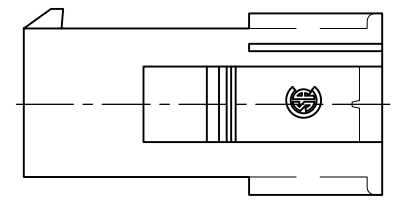
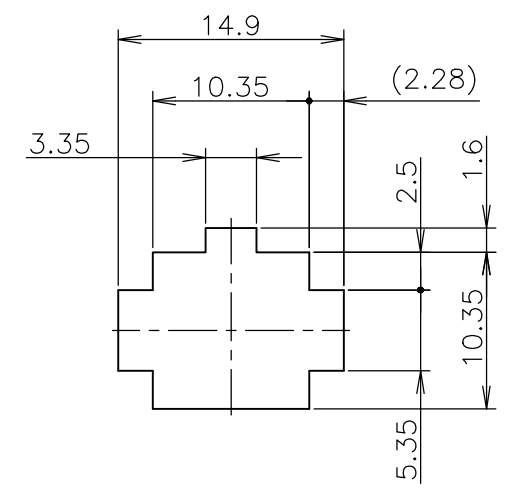
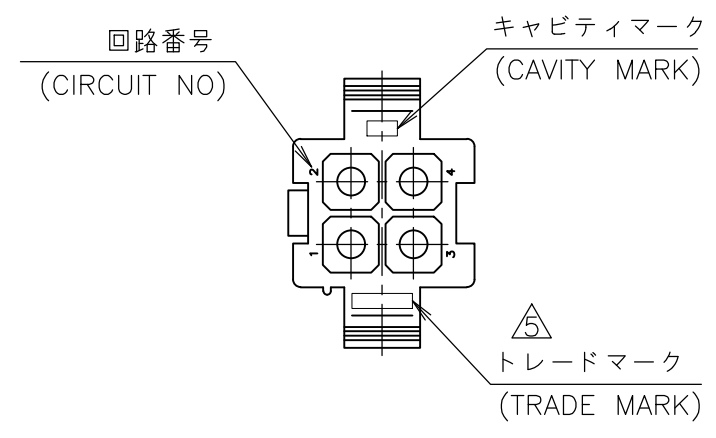
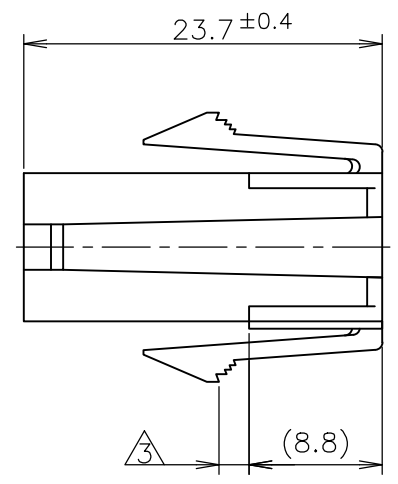
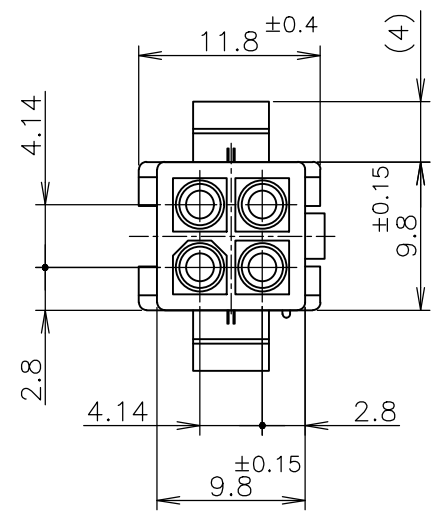


THIS DRAWING IS UNPUBLISHED. RELEASED FOR PUBLICATION JUN, 1998.  
 © COPYRIGHT 1998 By Tyco Electronics Japan G.K. ALL RIGHTS RESERVED.

REVISIONS 変更				
P	LTR	DESCRIPTION	DATE	APVD
	D4	REVISED PER ECR-17-012328	100CT2018	BDA SG



- 1 使用端子型番は 170359, 170360, 170361, 170362
- 2 嵌合相手ハウジング型番は 172167
- ③ 適用パネル厚 0.8~2.0mm
- 4 取付穴打抜方向とハウジングの挿入方向は同じとする。
- ⑤ 表1参照
- ⑥ OBSOLETE PARTS: OBSOLETE CIS STREAMLINING PER D.RENAUD/D.SINISI

- 1 APPLICABLE CONT P/N: 170359, 170360, 170361, 170362
- 2 MATING HSG P/N: 172167
- ③ APPLICABLE PANEL THICKNESS: 0.8~2.0mm
- 4 HOUSING INSERTION INTO THE PANEL CUT-OUT MUST BE DONE IT THE SAME DIRECTION WITH PUNCH KNOCKING.
- ⑤ SEE TABLE 1
- ⑥ OBSOLETE PARTS: OBSOLETE CIS STREAMLINING PER D.RENAUD/D.SINISI

寸法公差は ±0.20  
(TOLERANCE: ±0.20)

パネル取付穴  
(RECOMMENDED PANEL OPENING DIRECTION)

表1 TABLE 1

トレードマーク (TRADE MARK)	生産場所 (MANUFACTURING PLACE)
-AMP OR AMP	日本 (JAPAN)
-+AMP OR AMP	中国 (CHINA (PRC))

色 (COLOR)	型番 (P/N)
黒 (BLACK)	1-172159-9
青 (BLUE)	1-172159-6
緑 (GREEN)	1-172159-5
赤 (RED)	1-172159-2
自然色 (NATURAL)	172159-1
⑥ OBSOLETE	

THIS DRAWING IS A CONTROLLED DOCUMENT.

DIMENSIONS: 単位: 耗 mm	TOLERANCES UNLESS OTHERWISE SPECIFIED: 一般公差
	0-PLC ± 1-PLC ± ±0.3 2-PLC ± 3-PLC ± 4-PLC ± ANGLES ±
MATERIAL 材料 66NYLON UL94-0 66ナイロン UL94V-0	FINISH 仕上

INSTRUCTION SHEET 取扱説明書 IS-105J	WIRE RANGE 挿合電線断面積 mm <sup>2</sup>	INSULATION DIA 被覆外径 mm $\phi$
DWN N.YAMASAKI 08JUN1998	CHK M.SHINDO 15JUN1998	APVD M.SHINDO 15JUN1998
<b>STE</b> TE Connectivity		
NAME 名称 4 POS MINI UNIVERSAL MATE-N-LOCK CONN. CAP HOUSING UL94V-0 4極ミニユニバーサルメイトンロック キャップハウジング UL94V-0		
PRODUCT SPEC 製品規格 108-5138	APPLICATION SPEC 取付適用規格	SIZE A3
WEIGHT	CAGE CODE 00779	DRAWING NO 番号 C-172159
CUSTOMER DRAWING		RESTRICTED TO —
SCALE 尺度 2:1		SHEET 1 OF 1
		REV D4

# Mouser Electronics

Authorized Distributor

Click to View Pricing, Inventory, Delivery & Lifecycle Information:

[TE Connectivity:](#)

[1-172159-5](#)