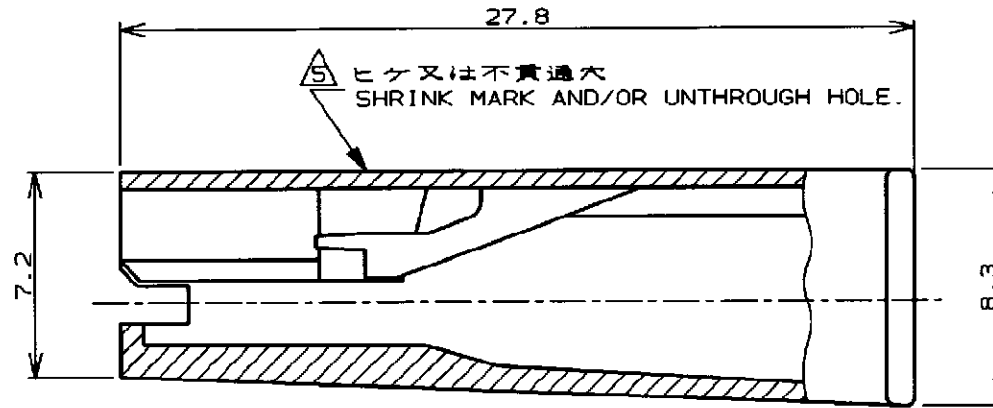
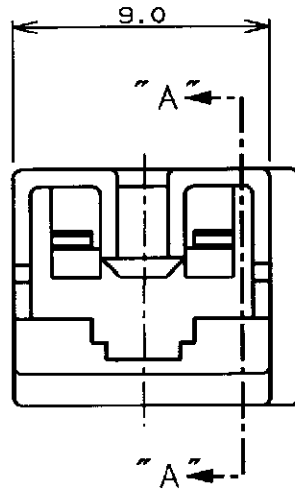
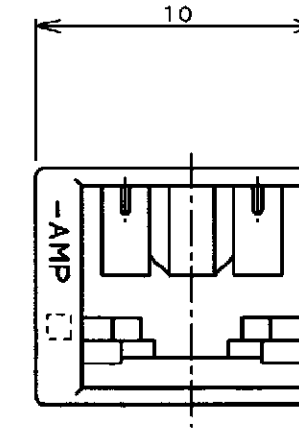


NUMBER C-172076



断面 "A"- "A"  
(SECT "A"- "A")



NOTES;

- PRODUCT SPECIFICATION 108-5127
- APPLICABLE CONTACT  
P/N ; 170327, 170328, 170329
- SEE CP78-26023. ABOUT APPLICABLE TAB.
- MATERIAL ; 6/6 NYLON (94V-0)
- THERE ARE A FEW CASES THAT SHRINK MARK AND/OR UNTHROUGH HOLE OCCURS IN THIS AREA, BUT NOT INFLUENCE TO CONN, FUNCTION.
- COMPLY WITH GLOW WIRE REQUIREMENT FOR PARTS OF NON-METALLIC MATERIAL SUPPORTING A CURRENT CARRYING CONNECTION DETAILED IN IEC 60335-1, SECTION 30 (GWT), (GWT, UL94V-0)
- MATERIAL: PA66, UL94 V-0, GWIT 775°C

	3-172076-1	NATURAL	
OBSOLETE	<del>7-172076-4</del>	NATURAL	
	2-172076-7	(RED) 赤	
	2-172076-6	(BLUE) 青	
OBSOLETE	<del>2-172076-5</del>	(GREEN) 緑	
	2-172076-4	(YELLOW) 黄	
	2-172076-2	(BLACK) 黒	
	2-172076-1	(NATURAL) 自然色	
	172076-7	(RED) 赤	
	172076-6	(BLUE) 青	
	172076-5	(GREEN) 緑	
	172076-4	(YELLOW) 黄	
	172076-2	(BLACK) 黒	
	172076-1	(NATURAL) 自然色	
	型番 (P/N)	色 (COLOR)	注 (NOTE)

単位: mm DIMENSIONS IN MM. DO NOT SCALE PRINT

PRINT DIST

H7	REVISED PER ECR-19-018127	20JUL'20	AA	EW
H6	REVISED PER ECR-19-002938	25FEB'19	BH	E.W
REV	DESCRIPTION	DATE	DWN	APVD

TE Connectivity		
規格外径 (WIRE RANGE) --- mm <sup>2</sup> (AWG - )	規格外径 (INSULATION DIA.) --- mmφ	名称 (NAME) 250 シリーズ 1極 ポジティブロック (マークII)ハウジング 250 SERIES 1 Pos POSITIVE LOCK (MK-II) HOUSING
材料 (MATERIAL) 6/6ナイロン (94V-2) 6/6 NYLON (94V-2)	仕上 (FINISH) ---	一般公差 (GENERAL TOLERANCE) 10以下: ±0.2 10以上 30以下: ±0.25 30以上 100以下: ±0.3 角 度: ±3°
DR. M. SUZUKI 17. JAN. '95	DE. M. SUZUKI 17. JAN. '95	LOC 番号 (No.) B J C-172076
CHK. H. TAGUTCH 20. JAN. '95	APP. H. TAGUTCH 20. JAN. '95	尺度 (SCALE) 4-1
		REV. H7 SHEET 1 OF 1

# Mouser Electronics

Authorized Distributor

Click to View Pricing, Inventory, Delivery & Lifecycle Information:

[TE Connectivity:](#)

[172076-4](#)