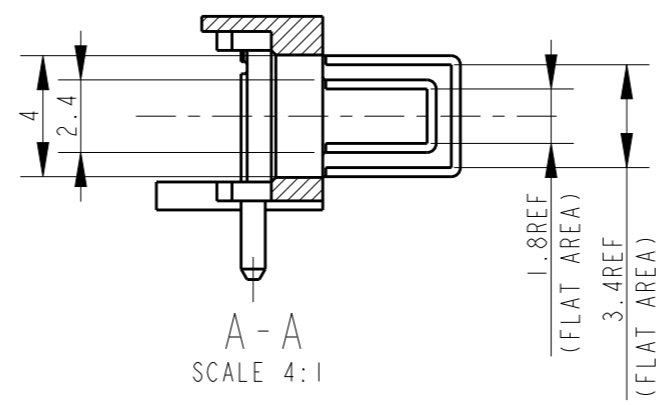
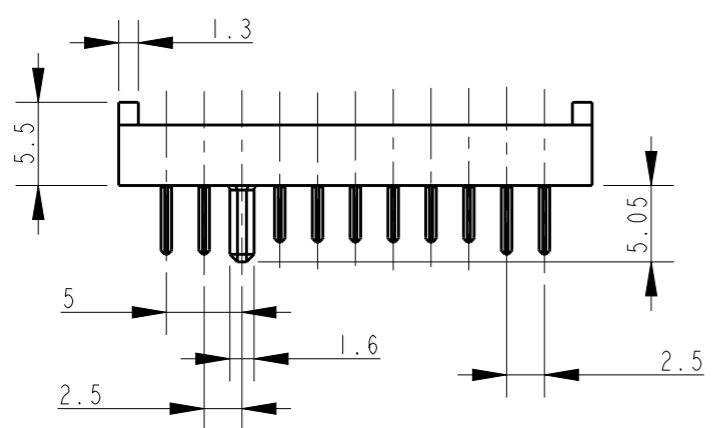
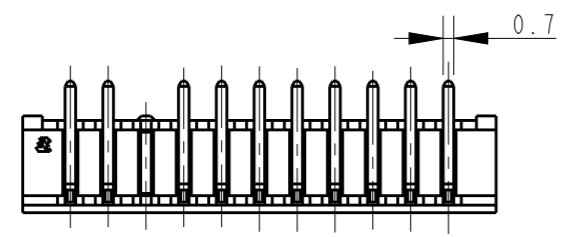


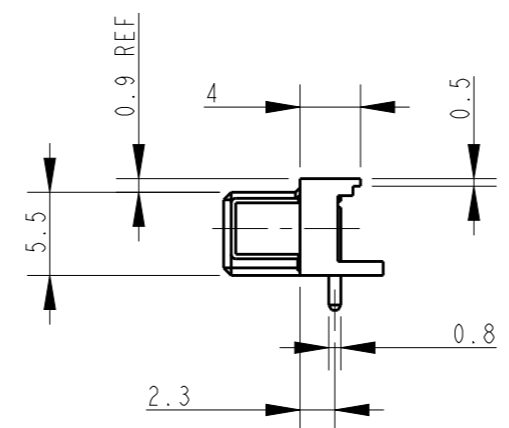
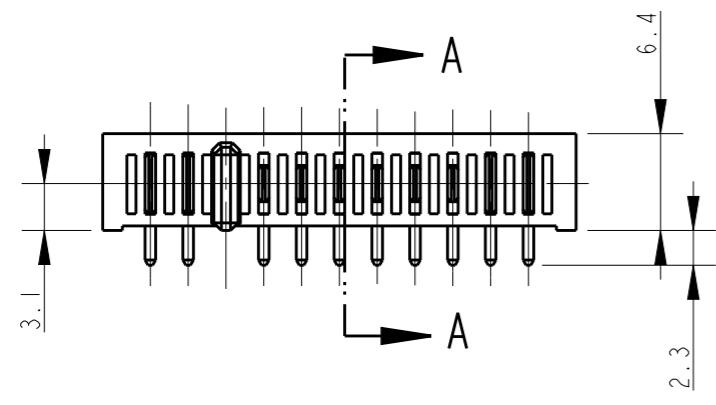
THIS DRAWING IS UNPUBLISHED. RELEASED FOR PUBLICATION 20
 © COPYRIGHT 20 BY TYCO ELECTRONICS CORPORATION. ALL RIGHTS RESERVED.

LOC	DIST	REVISIONS				
P	LTR	DESCRIPTION	DATE	DWN	APVD	
ES	00	F1	OBSOLETE PART NUMBER (ECR-14-010684)	09MAR2015	W.C	V.P

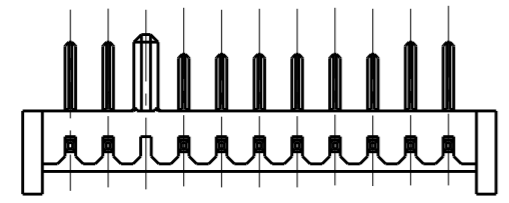
1717445-1: AS SHOWN



- 1 MATERIAL
HOUSING: THERMOPLASTIC RESIN, UL94V-0, BLACK
CONTACT: COPPER ALLOY
- 2 FINISH
CONTACT: Ni ALL OVER UNDER PL.
GOLD PL. AT CONTACT AREA
GOLD FLUSH PL. AT LEAD AREA
- 3 VIEW FROM CONNECTOR MOUNTING SIDE,
PCB THK 0.8~1.2,



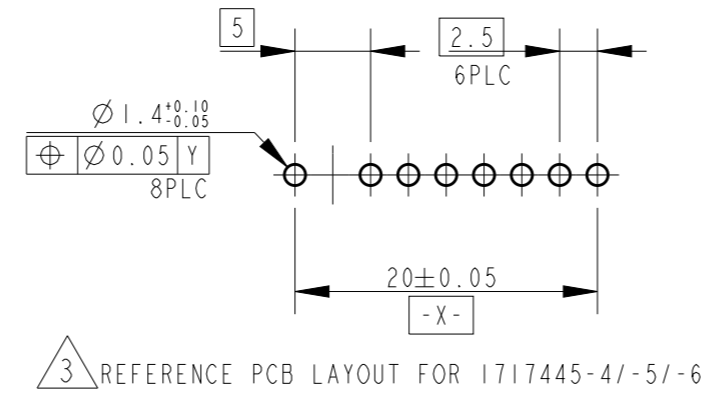
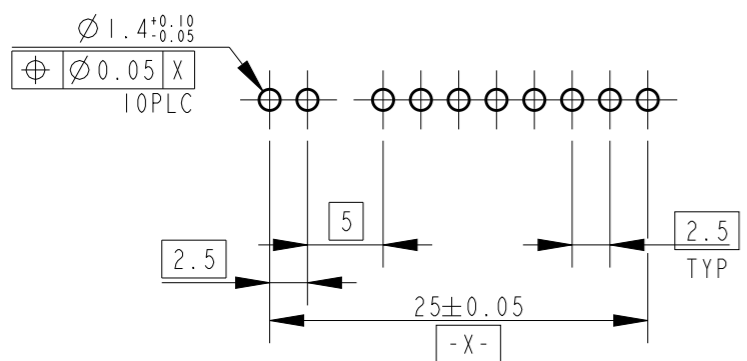
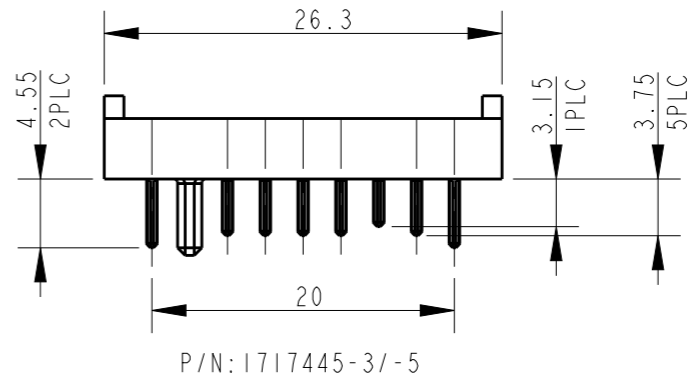
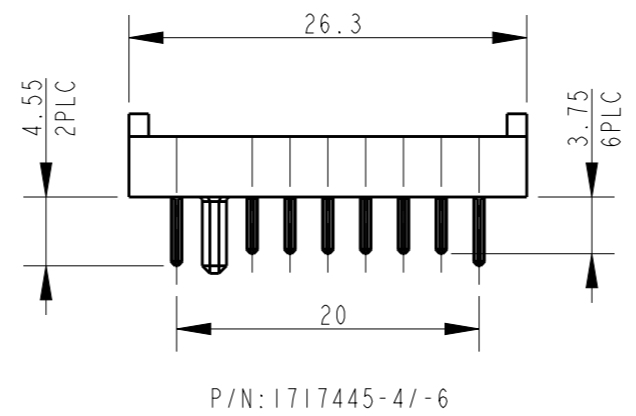
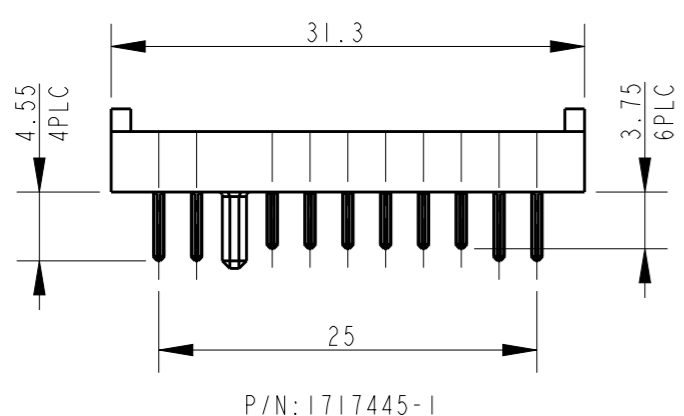
	POSITION	P/N
	8	1717445-6
	8	1717445-5
OBSOLETE	8	1717445-4
OBSOLETE	8	1717445-3
OBSOLETE	8	1717445-2
OBSOLETE	10	1717445-1



<small>THIS DRAWING IS A CONTROLLED DOCUMENT FOR TYCO ELECTRONICS CORPORATION IT IS SUBJECT TO CHANGE AND THE CONTROLLING ENGINEERING ORGANIZATION SHOULD BE CONTACTED FOR THE LATEST REVISION.</small>		DWN T. KATANO 08OCT03 CHK T. KIMURA 08OCT03 APVD K. IKEGAMI 08OCT03		Tyco Electronics Tyco Electronics Shanghai, P.R.China, 200233	
DIMENSIONS: mm		TOLERANCES UNLESS OTHERWISE SPECIFIED: ± 0.3 0 PLC ± 1 PLC ±0.1 2 PLC ±0.01 3 PLC ±0.001 4 PLC ±0.0001 ANGLES ±3°		NAME 2.5mm PITCH BATTERY CONNECTOR	
MATERIAL 1		FINISH 2		PRODUCT SPEC - APPLICATION SPEC - WEIGHT -	
		CUSTOMER DRAWING		SIZE A3 CAGE CODE 00779 DRAWING NO. 1717445 RESTRICTED TO -	
		SCALE 2:1		SHEET 1 OF 3 REV F1	

THIS DRAWING IS UNPUBLISHED. RELEASED FOR PUBLICATION 20
 © COPYRIGHT 20 BY TYCO ELECTRONICS CORPORATION. ALL RIGHTS RESERVED.

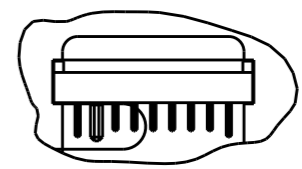
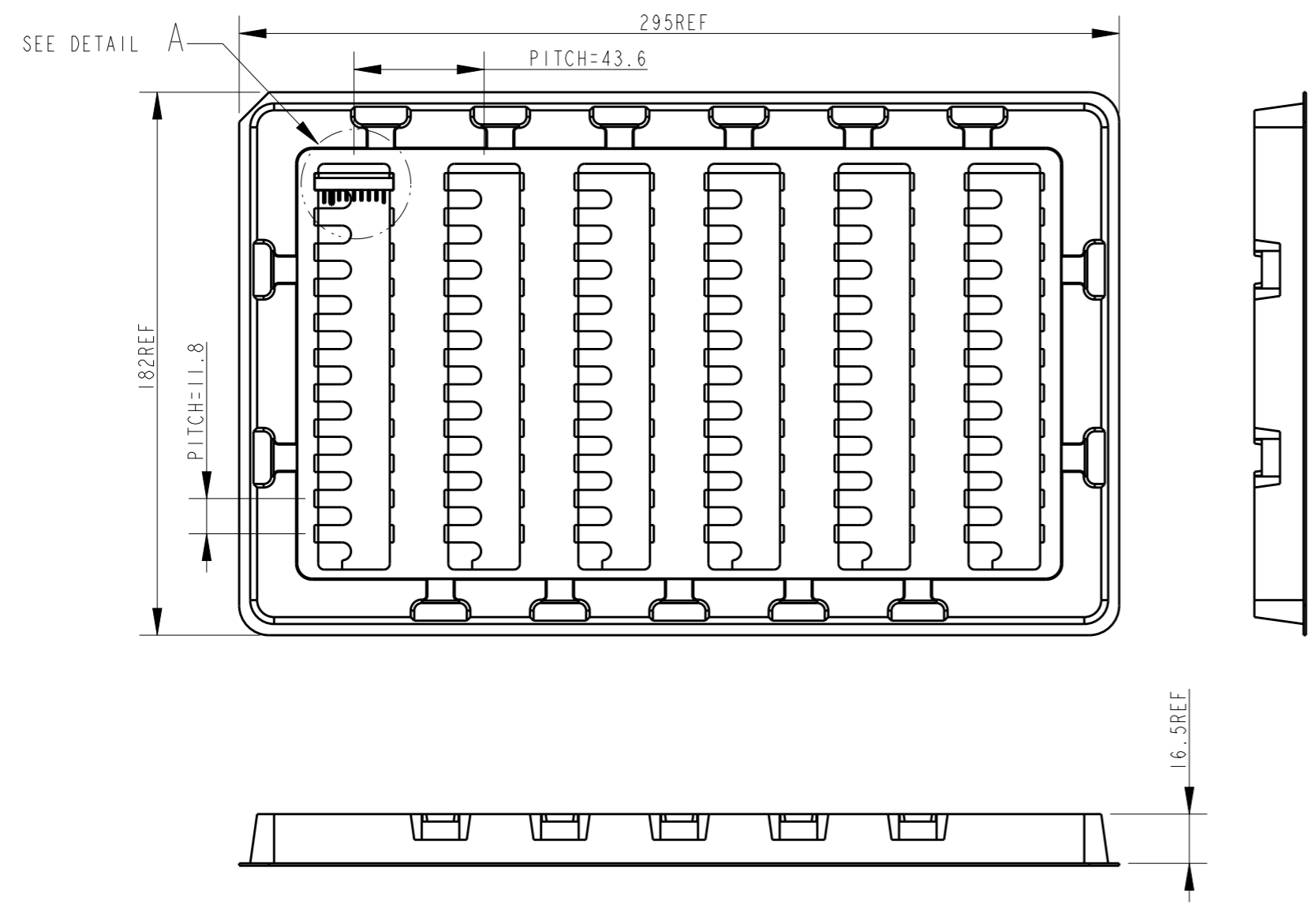
LOC	DIST	REVISIONS			
P	LTR	DESCRIPTION	DATE	DWN	APVD
ES	00	-	SEE SHEET 1	-	-



<small>THIS DRAWING IS A CONTROLLED DOCUMENT FOR TYCO ELECTRONICS CORPORATION. IT IS SUBJECT TO CHANGE AND THE CONTROLLING ENGINEERING ORGANIZATION SHOULD BE CONTACTED FOR THE LATEST REVISION.</small>		DWN T. KATANO 08OCT03 CHK T. KIMURA 08OCT03 APVD K. IKEGAMI 08OCT03		Tyco Electronics Shanghai, P.R.China, 200233	
DIMENSIONS: mm 		TOLERANCES UNLESS OTHERWISE SPECIFIED: ± 0.3 0 PLC ± 0.1 1 PLC ± 0.1 2 PLC ± 0.01 3 PLC ± 0.001 4 PLC ± 0.0001 ANGLES $\pm 3^\circ$		NAME 2.5mm PITCH BATTERY CONNECTOR	
MATERIAL -		FINISH -		PRODUCT SPEC - APPLICATION SPEC - WEIGHT -	
		CUSTOMER DRAWING		SIZE A3 CAGE CODE 00779 DRAWING NO. 1717445 RESTRICTED TO -	
		SCALE 2:1		SHEET 2 OF 3 REV F1	

THIS DRAWING IS UNPUBLISHED. RELEASED FOR PUBLICATION 20
 © COPYRIGHT 20 BY TYCO ELECTRONICS CORPORATION. ALL RIGHTS RESERVED.

LOC	DIST	REVISIONS			
P	LTR	DESCRIPTION	DATE	DWN	APVD
		SEE SHEET 1	-	-	-



DETAIL A
SCALE 1:1

PACKAGE MATERIAL FOR 1717445-3/1717445-4/1717445-5/1717445-6
66PCS/TRAY

<small>THIS DRAWING IS A CONTROLLED DOCUMENT FOR TYCO ELECTRONICS CORPORATION IT IS SUBJECT TO CHANGE AND THE CONTROLLING ENGINEERING ORGANIZATION SHOULD BE CONTACTED FOR THE LATEST REVISION.</small>		DWN T. KATANO 08OCT03 CHK T. KIMURA 08OCT03 APVD K. IKEGAMI 08OCT03		Tyco Electronics Shanghai, P.R.China, 200233	
DIMENSIONS: mm		TOLERANCES UNLESS OTHERWISE SPECIFIED: ± 0.5 0 PLC ± 1 PLC ±0.1 2 PLC ±0.01 3 PLC ±0.001 4 PLC ±0.0001 ANGLES ±3°		NAME PLUG ASSEMBLY 2.5mm PITCH BATTERY CONNECTOR	
MATERIAL -		FINISH -		PRODUCT SPEC - APPLICATION SPEC - WEIGHT -	
		CUSTOMER DRAWING		SIZE A3 CAGE CODE 00779 DRAWING NO. C-1717445	RESTRICTED TO -
				SCALE 2:1	SHEET 3 OF 3 REV F1

Mouser Electronics

Authorized Distributor

Click to View Pricing, Inventory, Delivery & Lifecycle Information:

[TE Connectivity:](#)

[1717445-5](#)